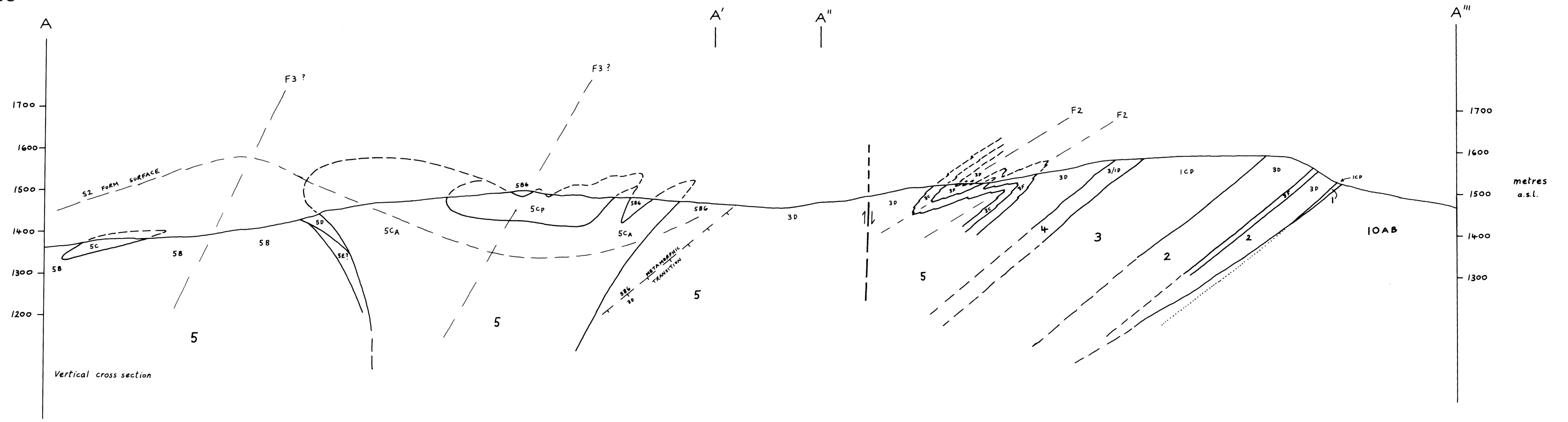


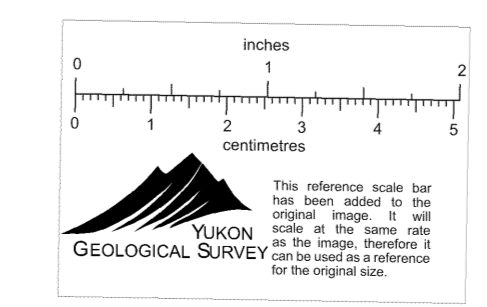
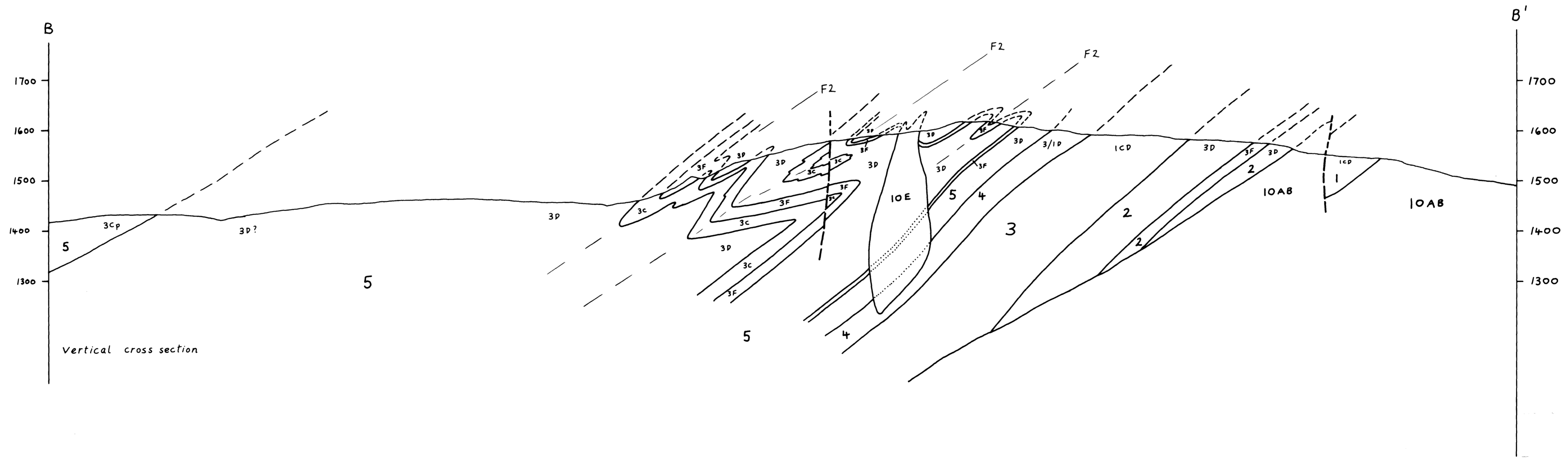
SW

NE



SW

NE



001363

Fig. 17  
(all sections)