

ELEVATION  
1,150 m

1,150 m

1,100 m

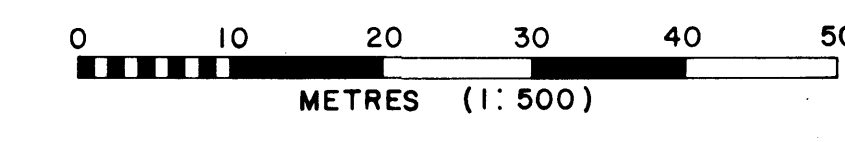
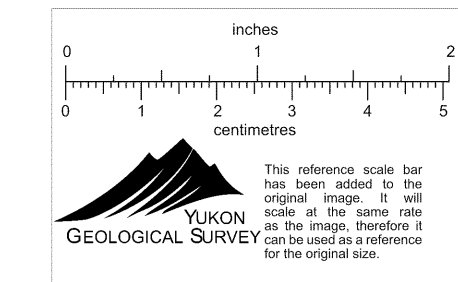
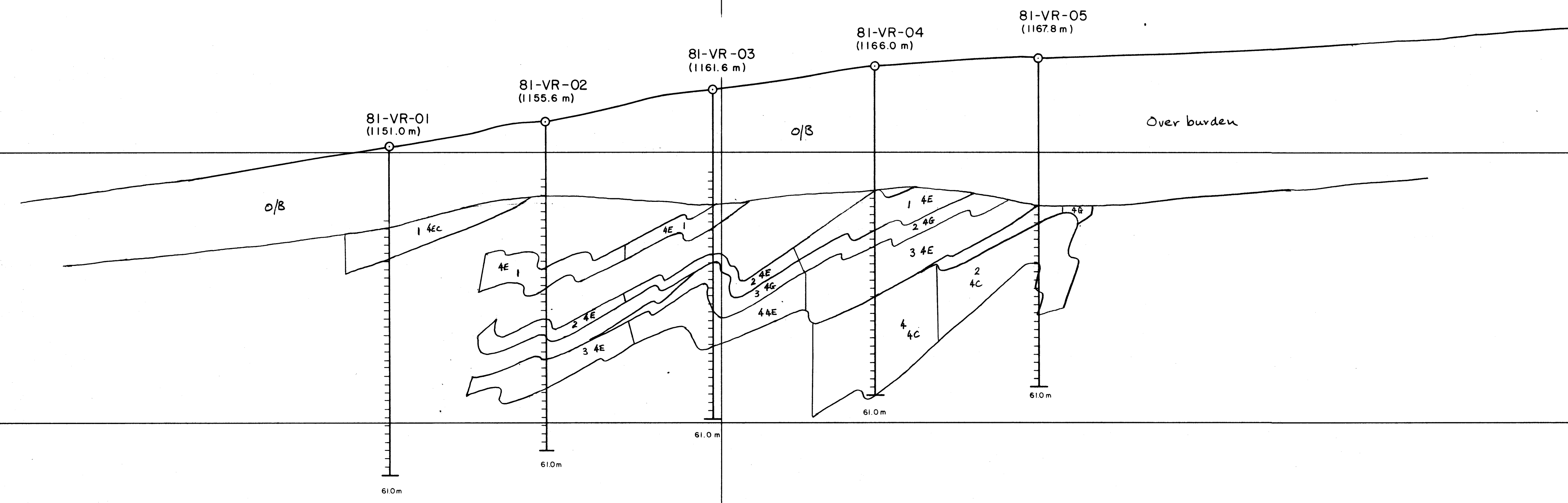
1,100 m

1,050 m

1,050 m

1,000 m

1,000 m



CYPRUS ANVIL MINING CORPORATION		
VANGORDA DEPOSIT		
VERTICAL CROSS SECTION 14E		
Assay Blocks		
DATE: November, 1987	NTS: 105-K-3 & 6	DWG. No.
BY: R. Stalbert	WHITEHORSE M.D.	002987