

ELEVATION  
1,150 m

1,150 m

1,100 m

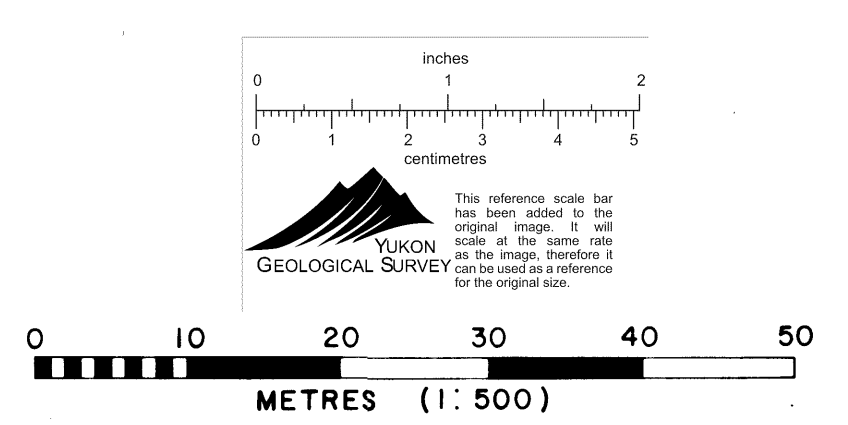
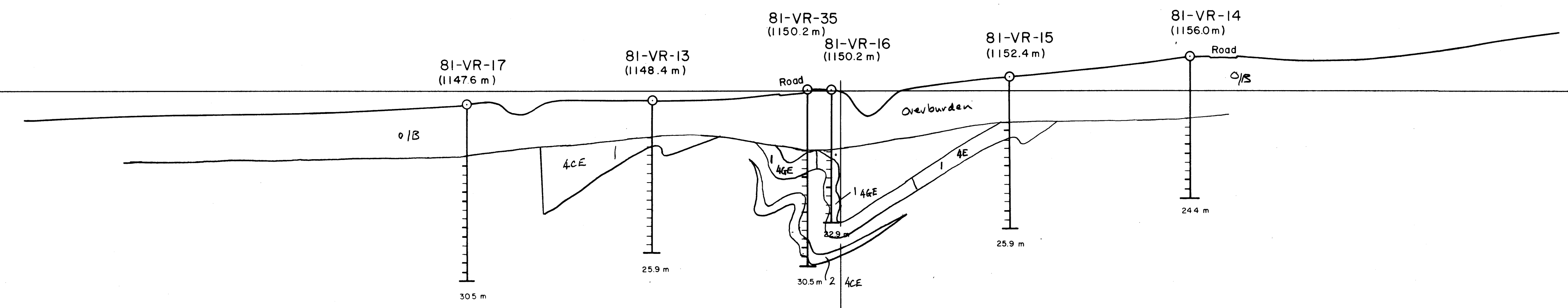
1,100 m

1,050 m

1,050 m

1,000 m

1,000 m



CYPRUS ANVIL MINING CORPORATION		
VANGORDA DEPOSIT		
VERTICAL CROSS SECTION 20 E		
Assay Blocks.		
DATE: November, 1981	NTS: 105-K-386	DWG. No.
BY: R. Wheeler	WHITEHORSE M.D.	002990