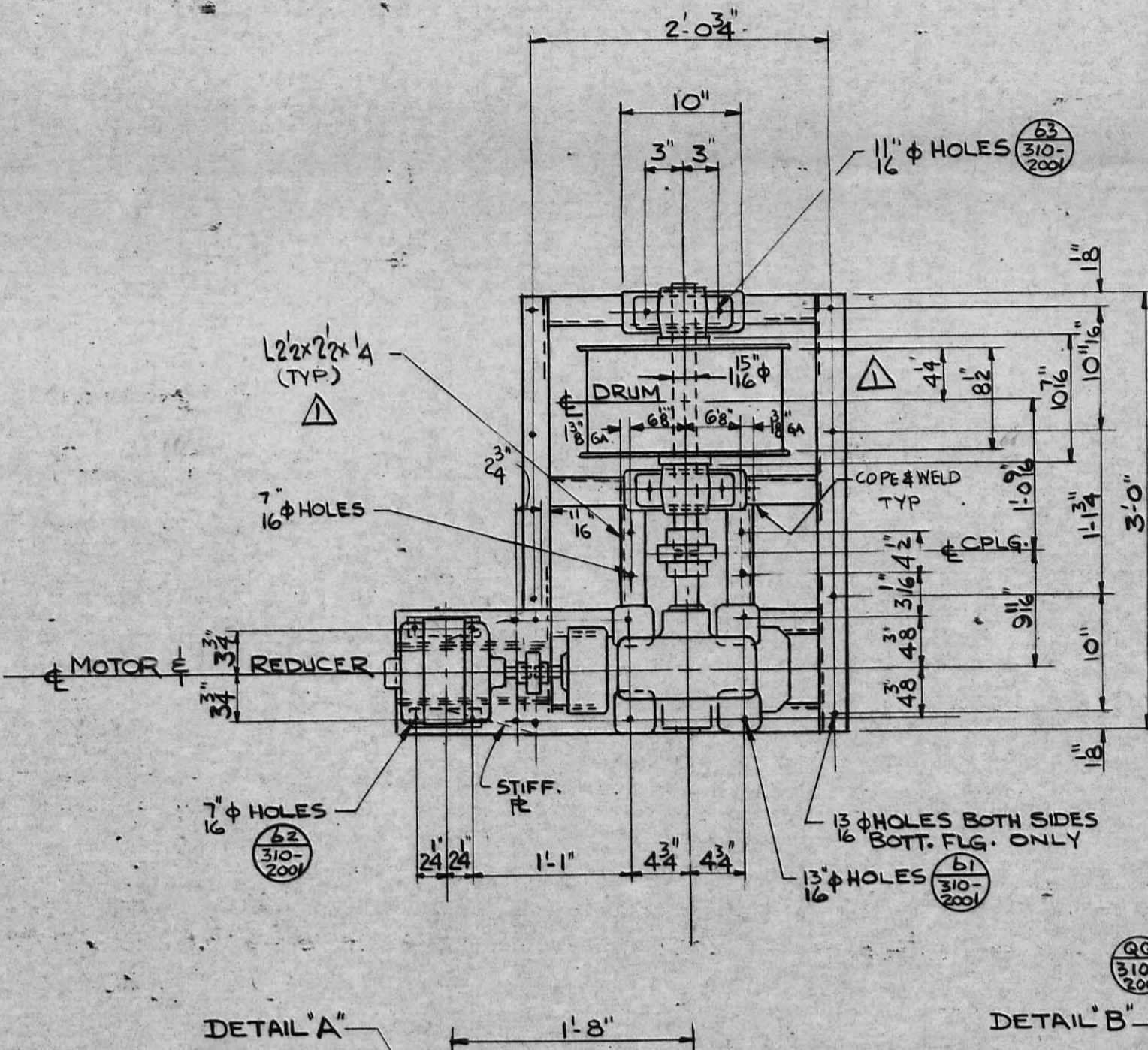
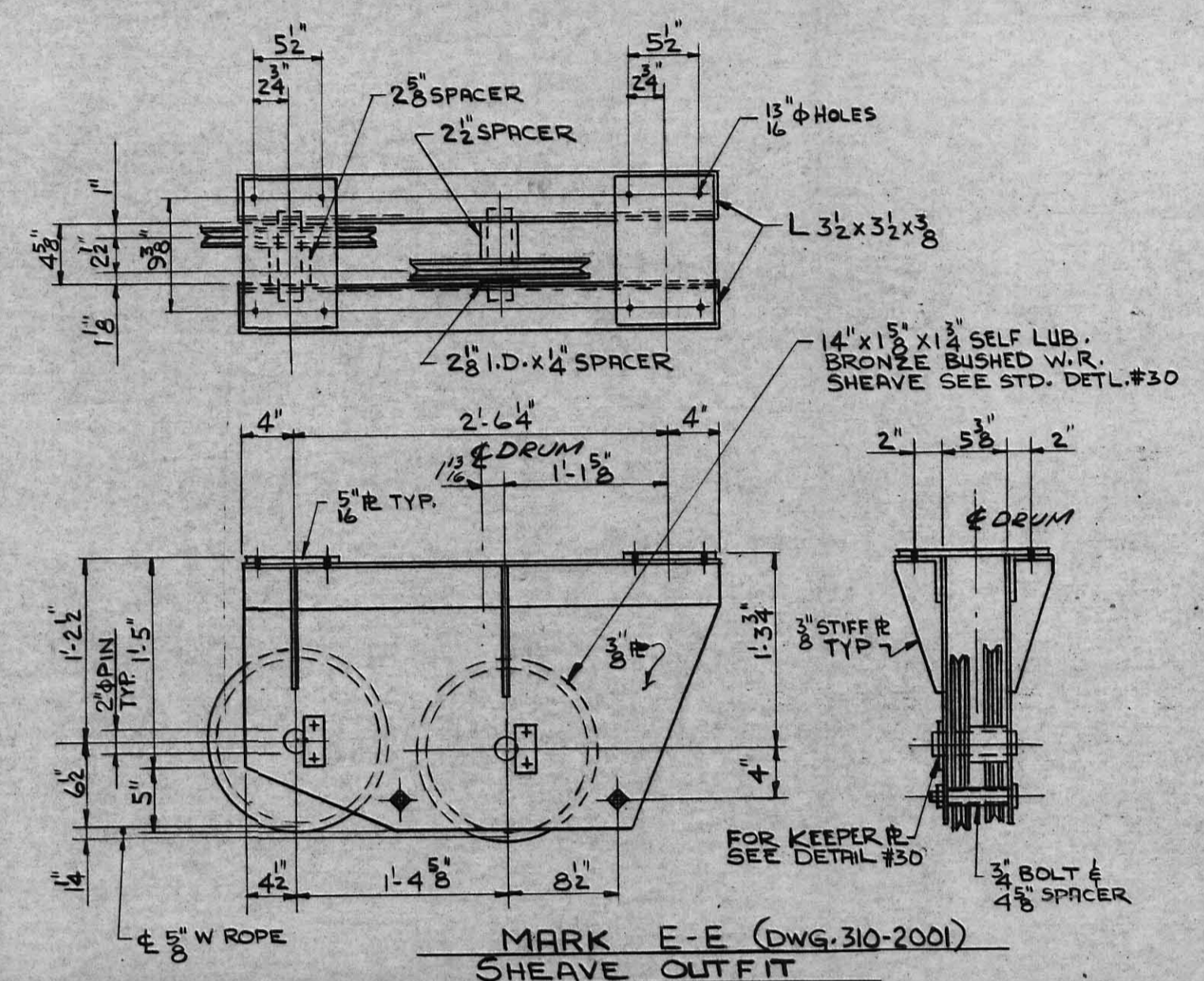
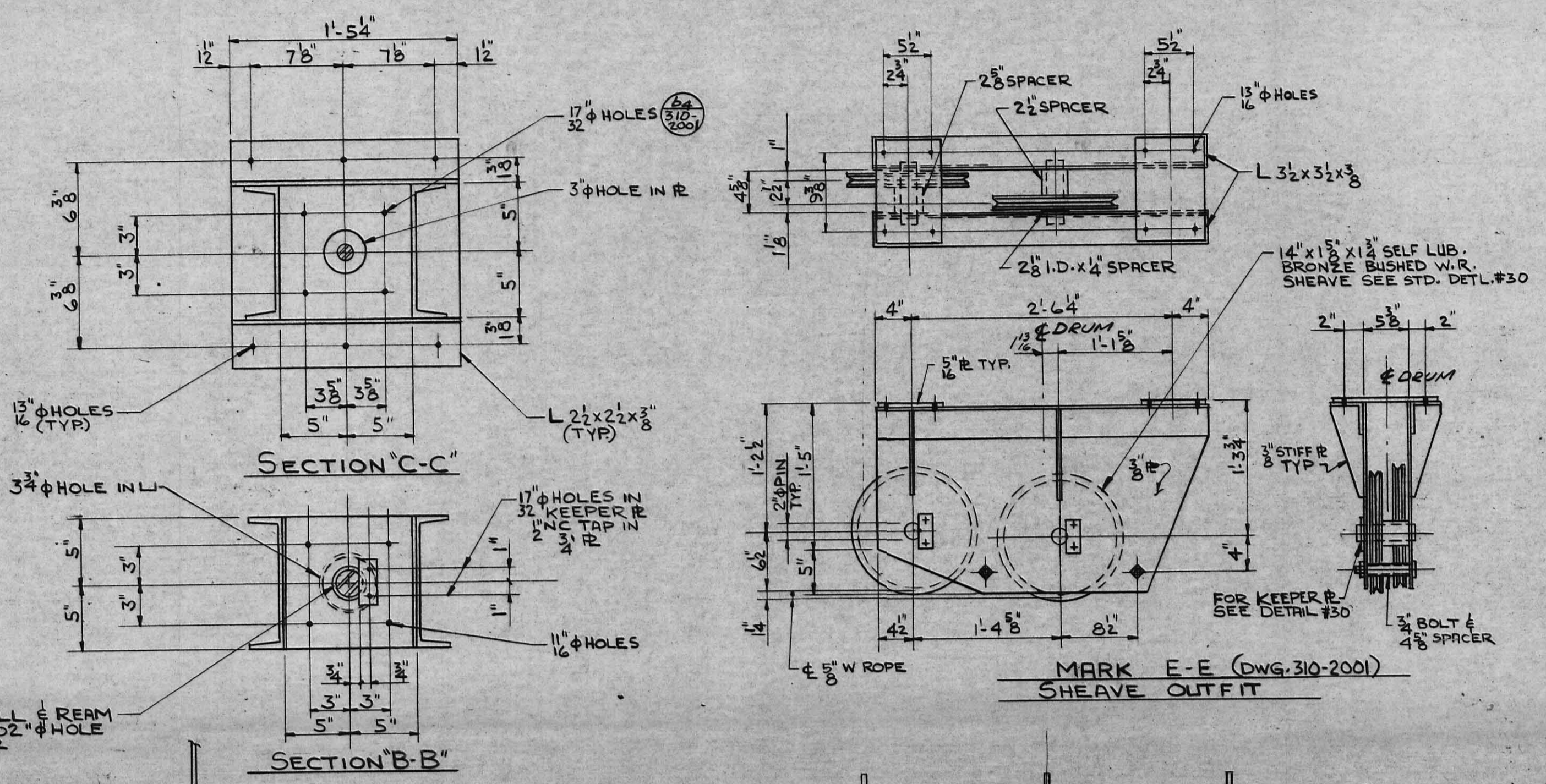
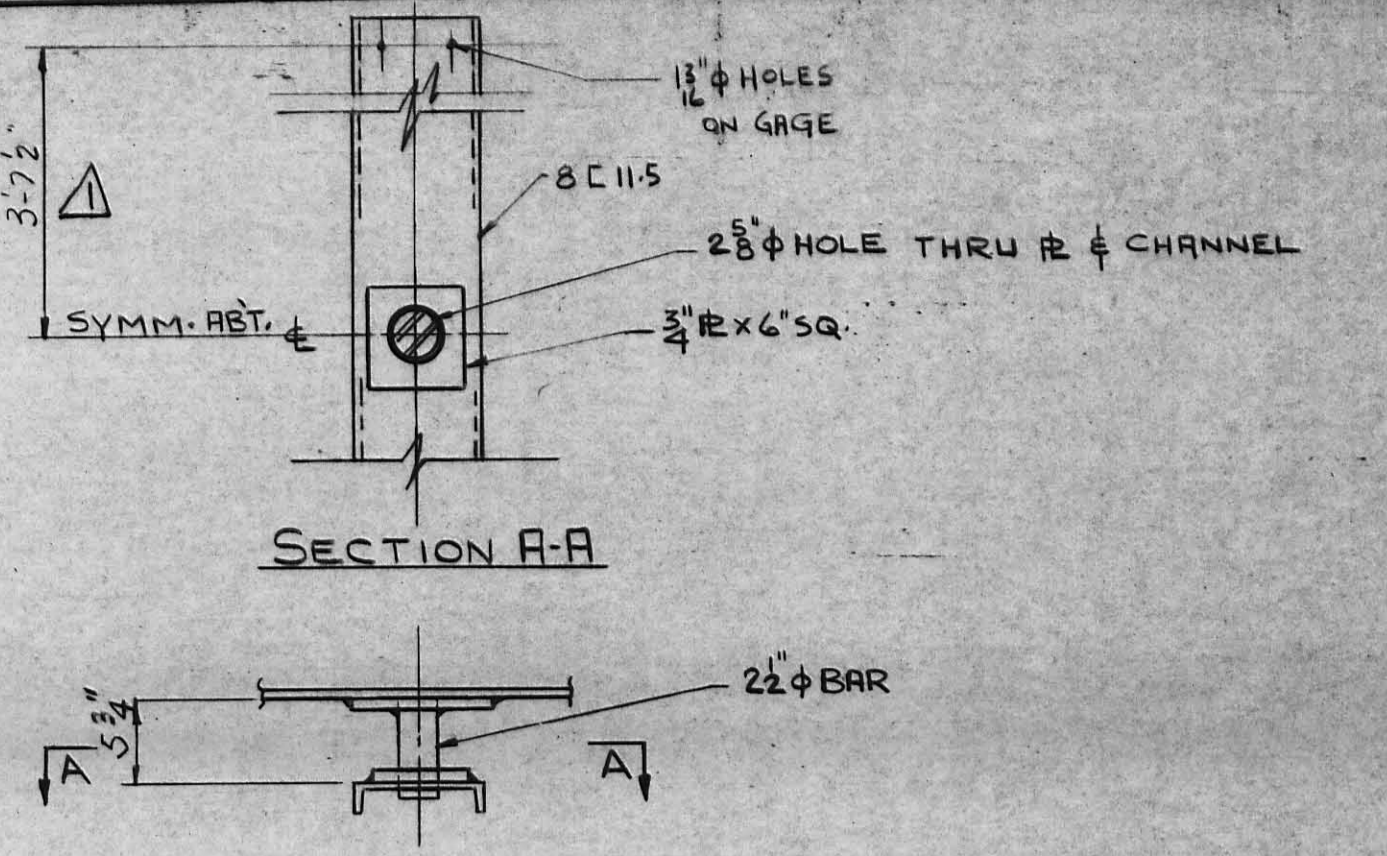
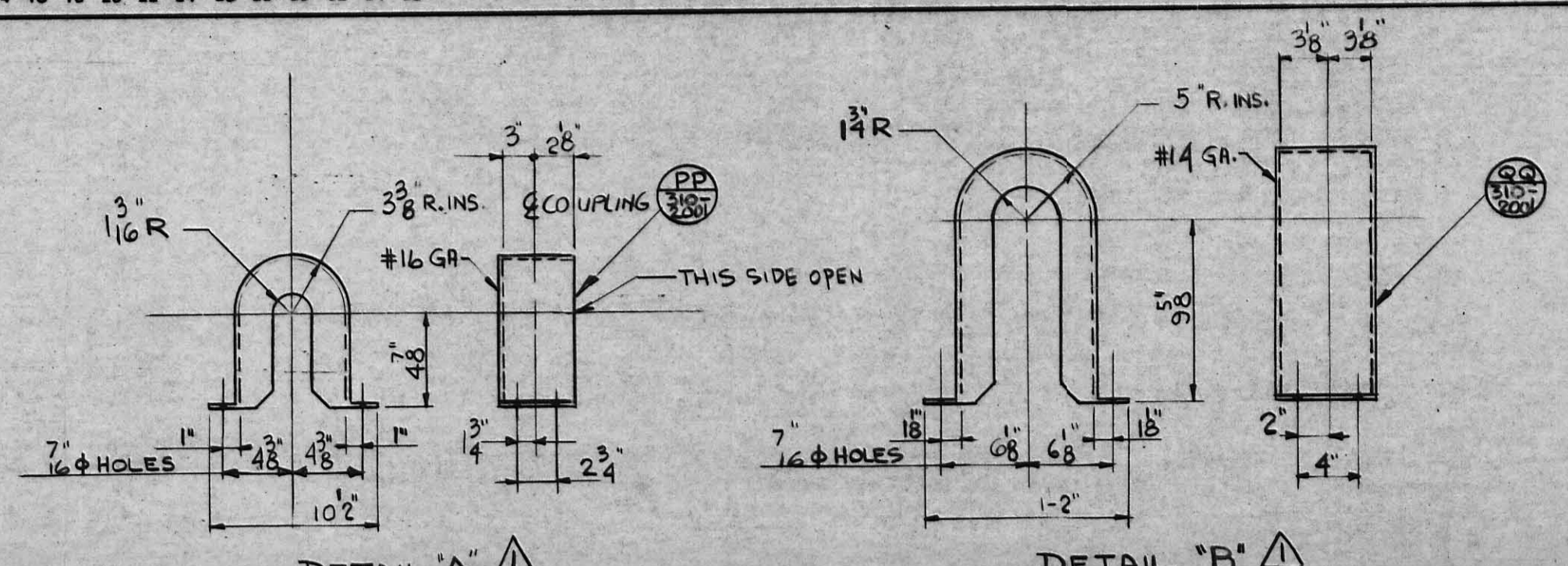
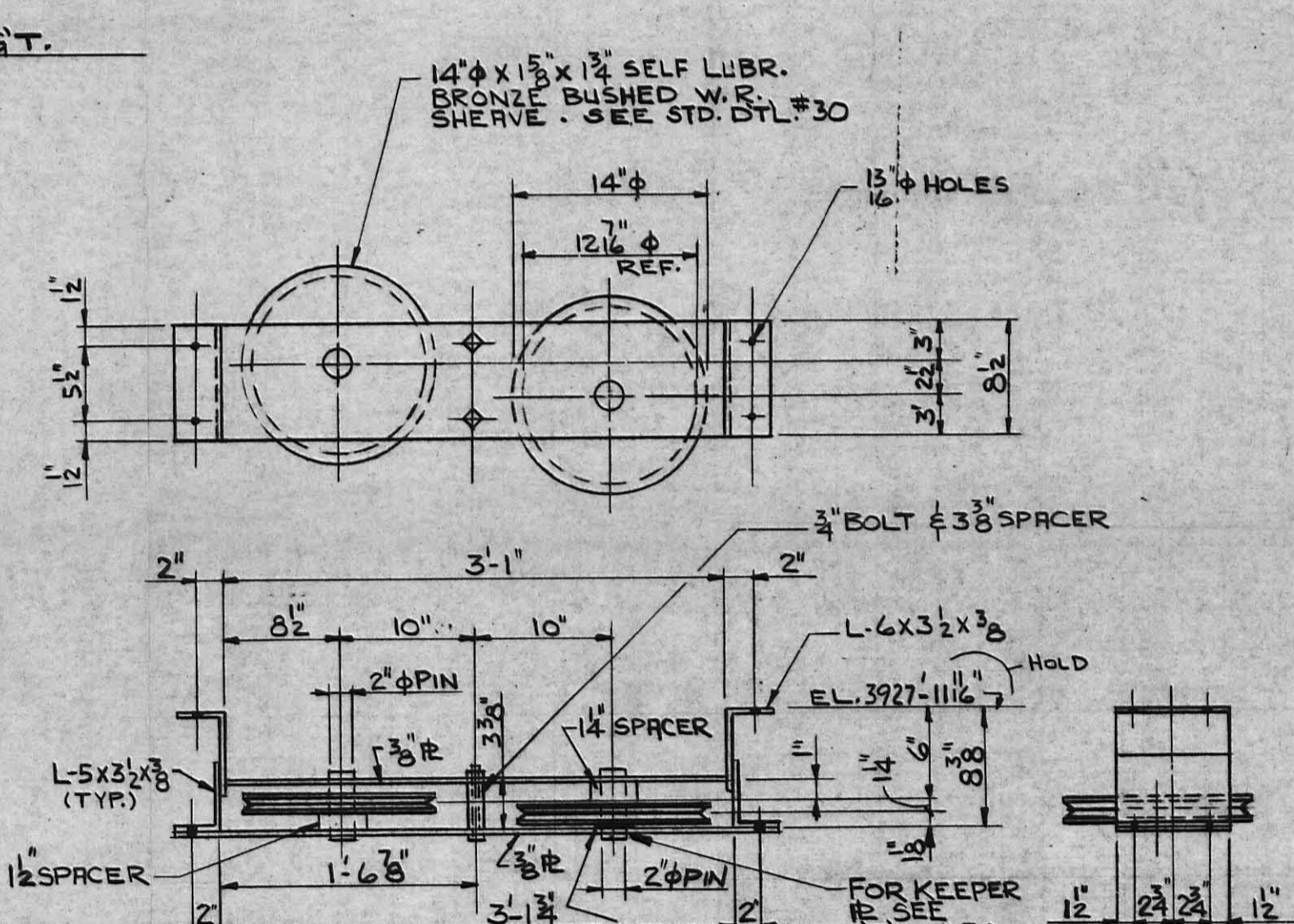
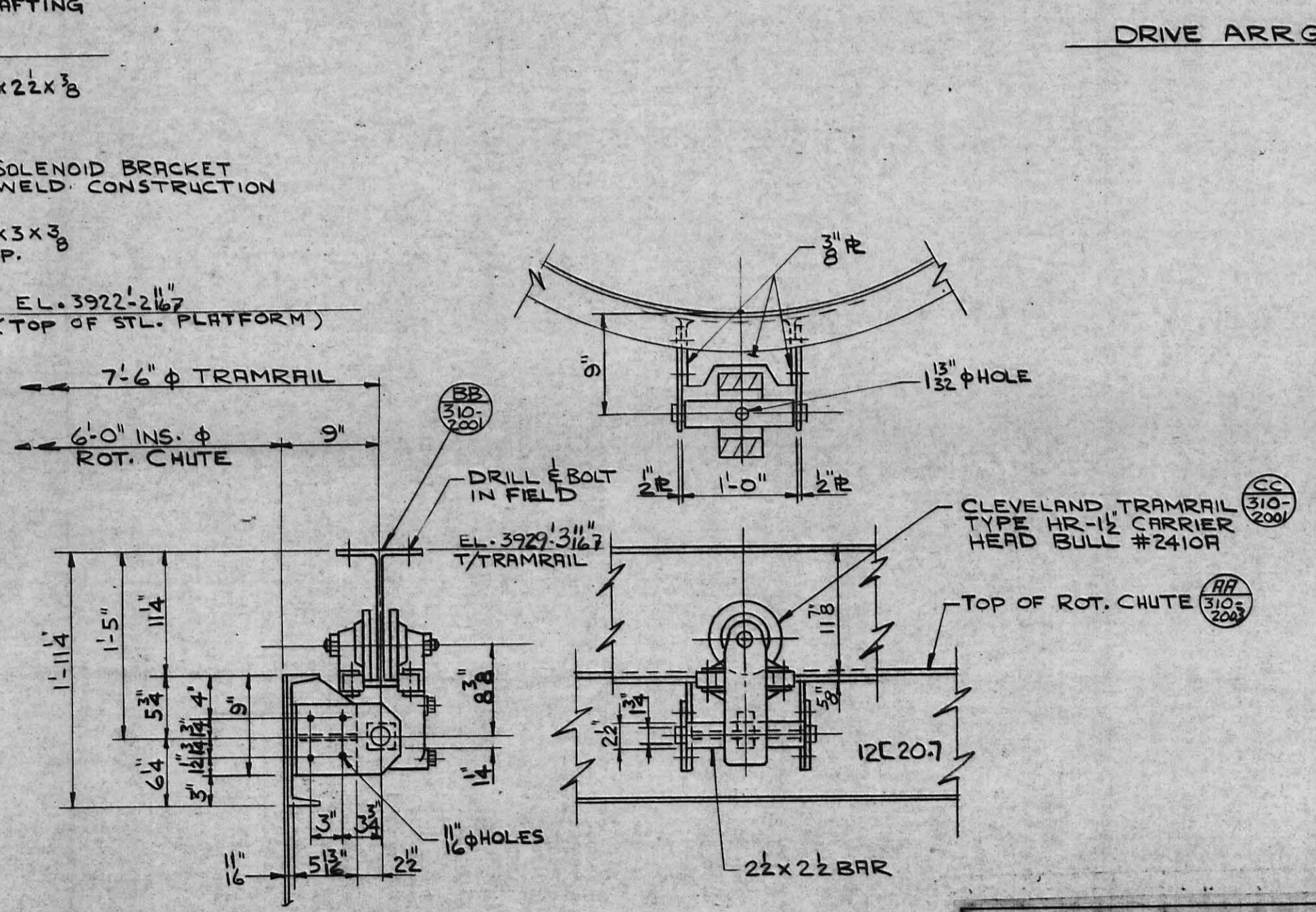
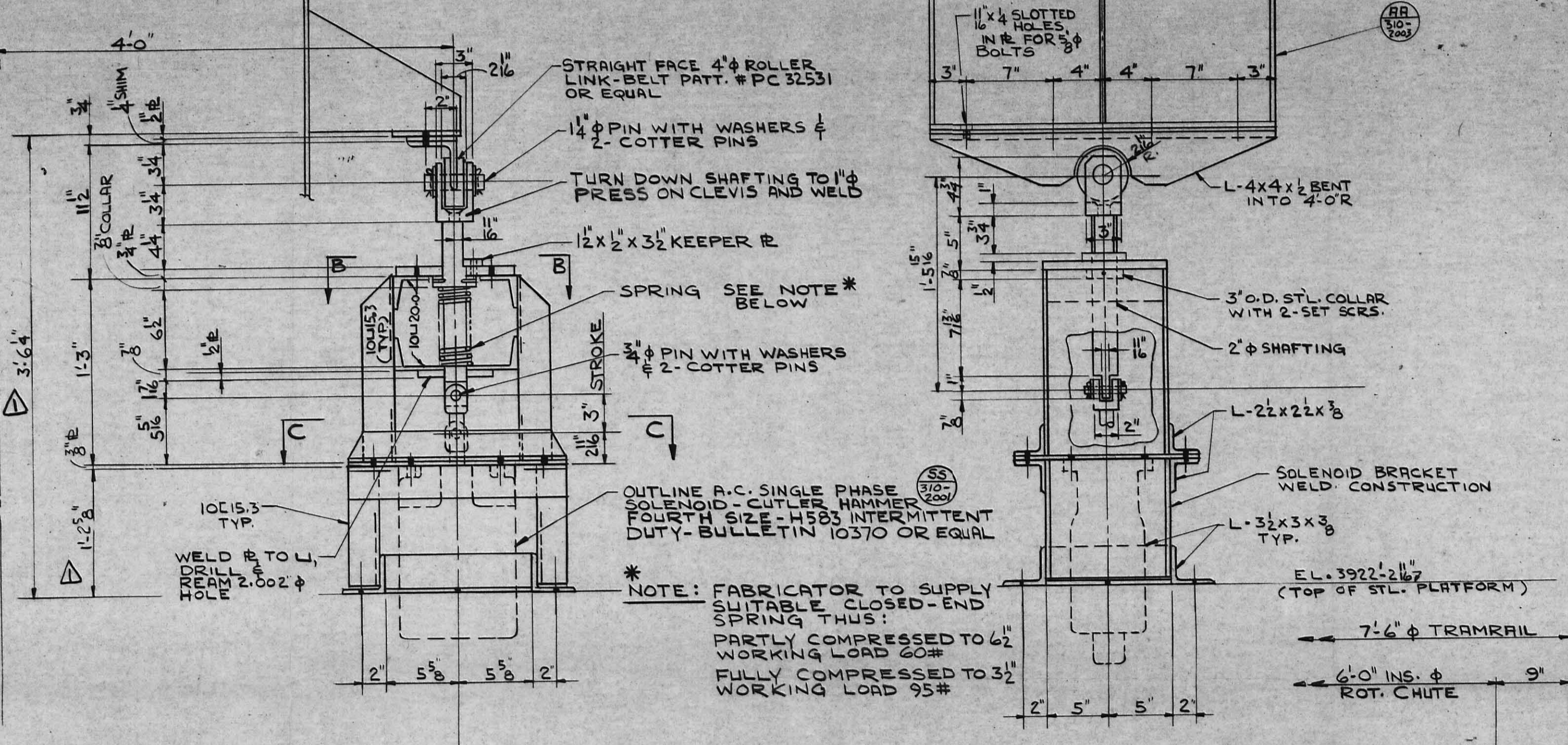
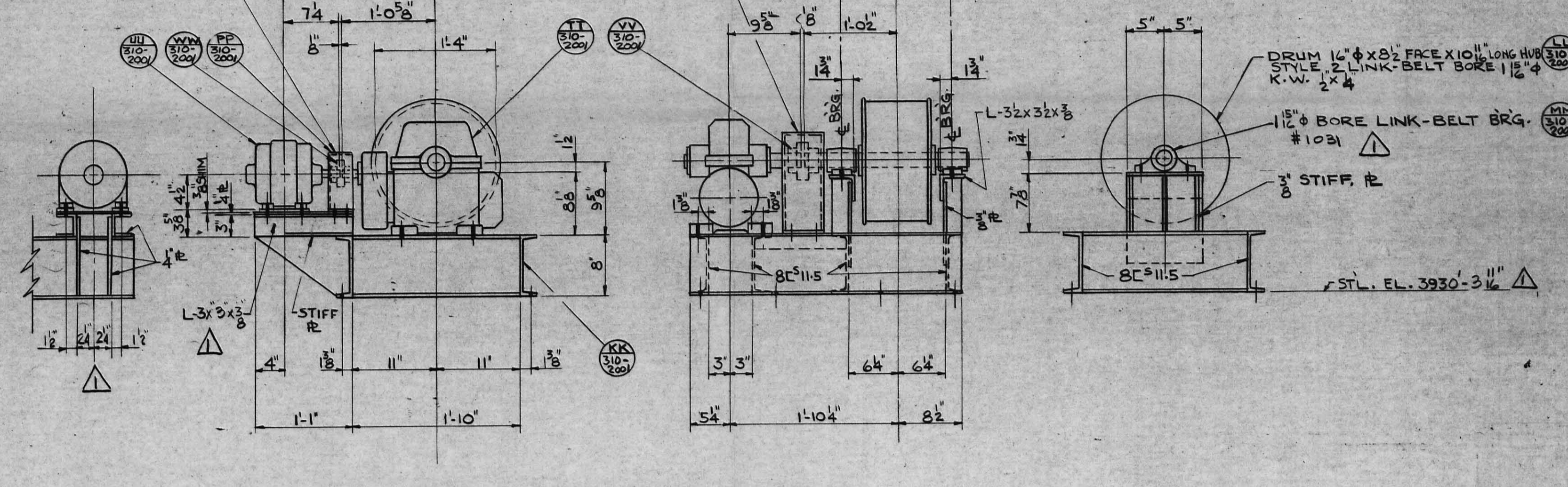


E-310-2000-002



MARK C-C (DWG. 310-2003) ROTARY CHUTE STEADY BRG.



NOTE: SEE DWG. 310-2001 FOR GEN. NOTES & B.M. WORK THIS DWG. WITH DWGS. 310-2001, 310-2003

APPROVED (FOR CONSTRUCTION)

ITEM NO. REQ.	DESCRIPTION	MAT'L	LOCATION	MARK NO.	DETAILED ON DWG.	REQ'D
BILL OF MATERIAL						
ANVIL MINING CORPORATION LIMITED THE ANVIL PROJECT FARO NUMBER 1 ORE BODY						
WHITE HORSE					YUKON TERRITORY	
PRIMARY CRUSHING & COARSE ORE STORAGE			COARSE ORE STORAGE			MECHANICAL
ROTARY CHUTE DETAILS						
SCALE: 1" = 1' 0"						JOB NO. 3744-06
						REV. NO.
310-2002						

DWG. NO.	DESCRIPTION	DWG. NO.	DESCRIPTION	NO.	BY	CHK.	APP.	APP.	CLIENT	DATE	DESCRIPTION	NO.	BY	CHK.	APP.	APP.	CLIENT	DATE	DESCRIPTION	
310-2001	ROTARY CHUTE GEN. ARRGT.			1	CV					6-17-66	REVISED PLATFORM ELEVATION & DETAILS	2	CV							

THE RALPH M. PARSONS CONSTRUCTION CO. OF CANADA, LTD.  
ENGINEERS & CONSTRUCTORS  
8 KING ST. EAST TORONTO, ONTARIO