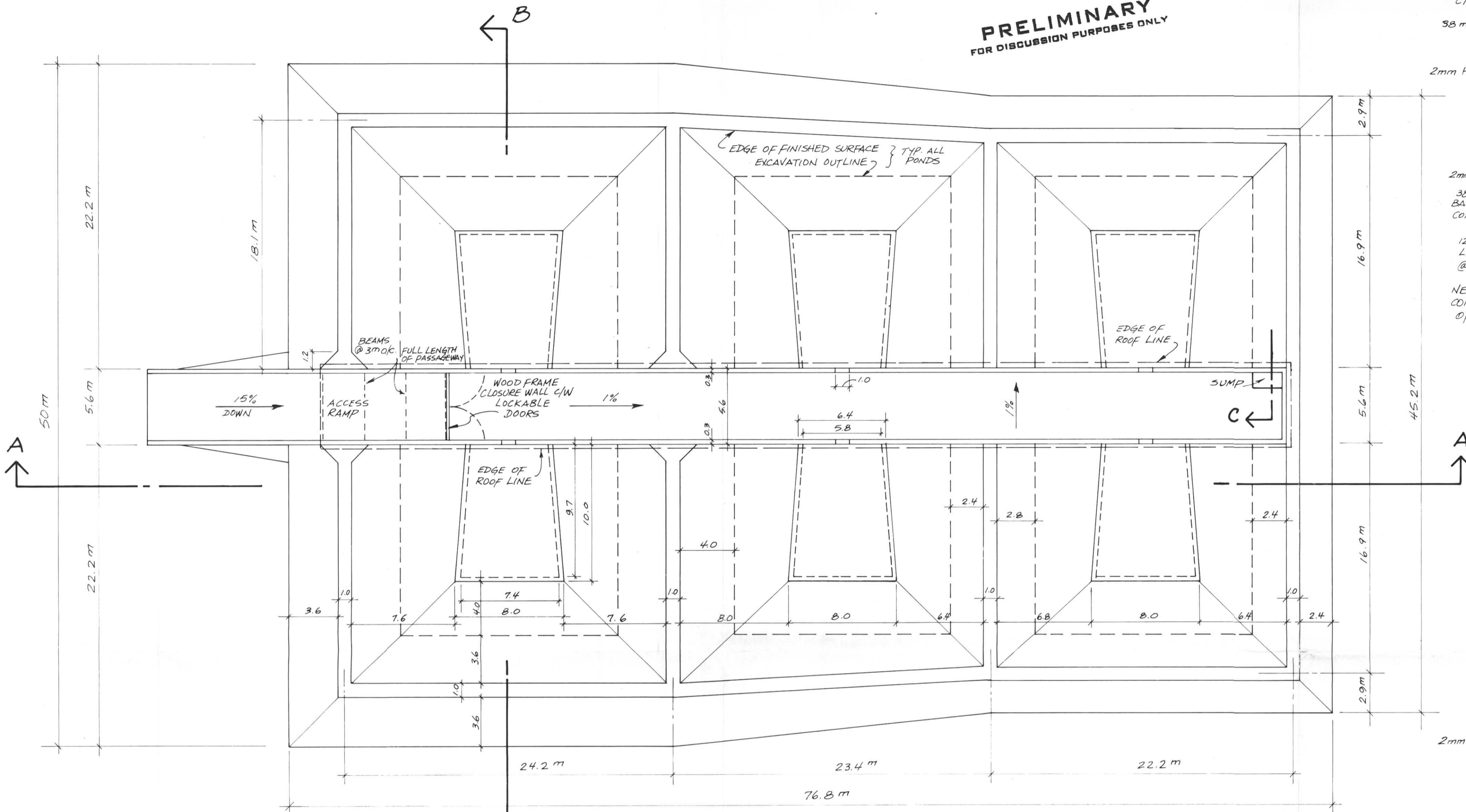
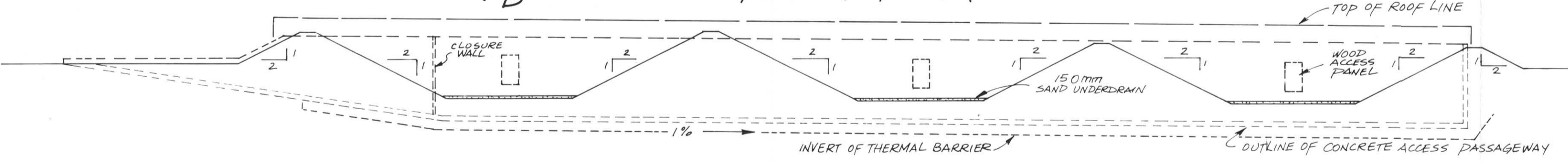


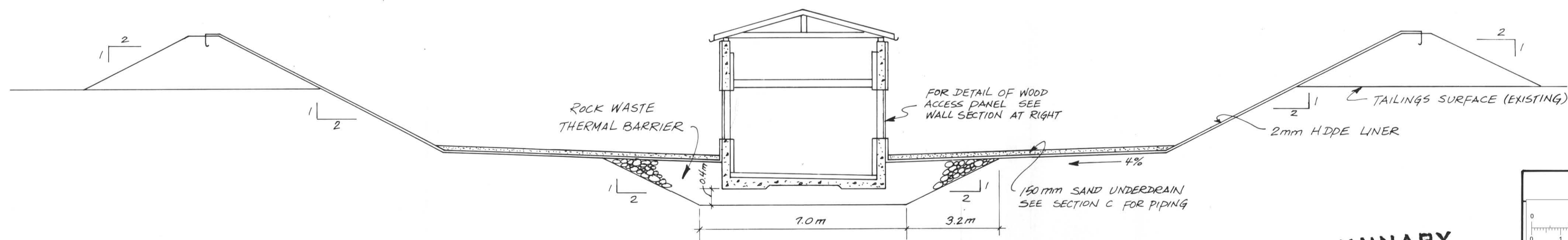
PRELIMINARY
FOR DISCUSSION PURPOSES ONLY



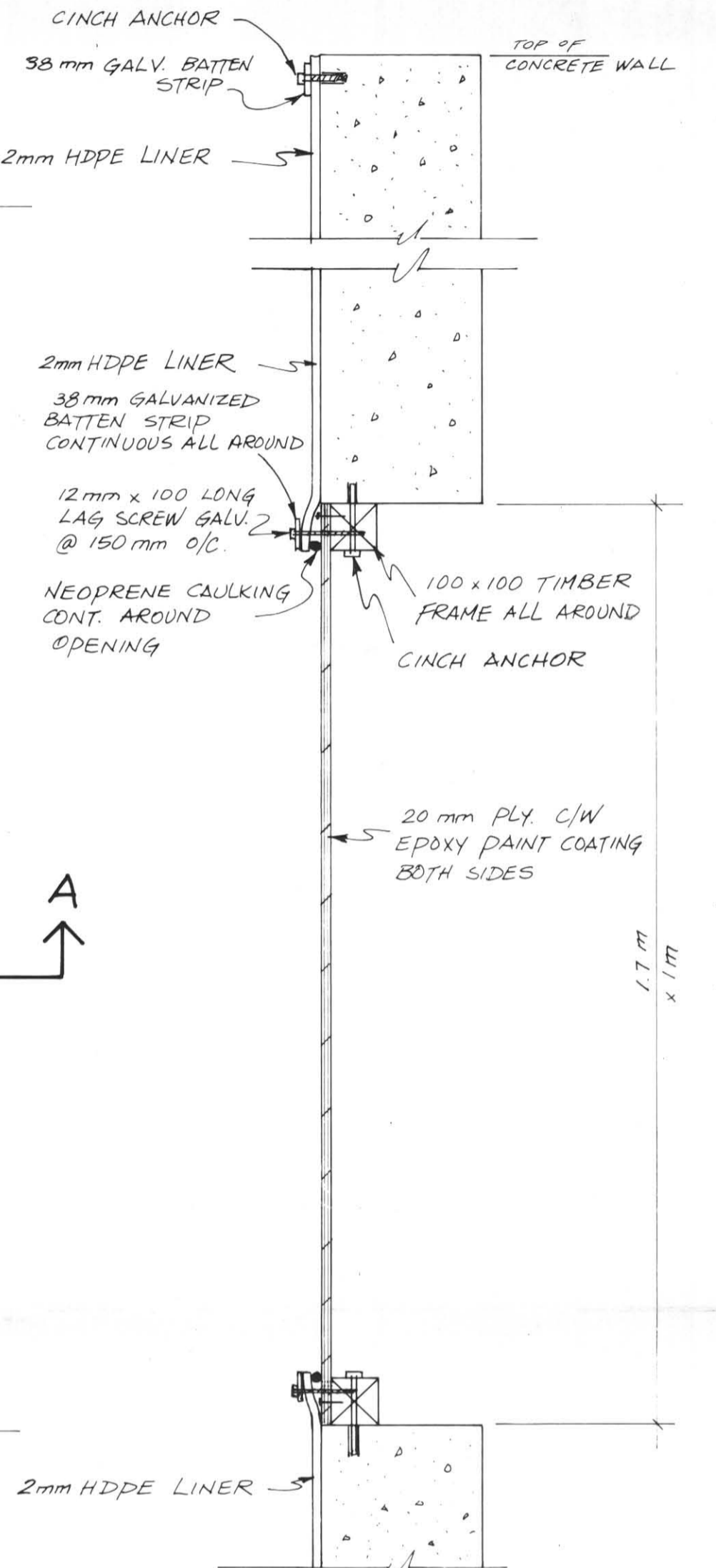
PLAN OF TEST PLOTS 1:200



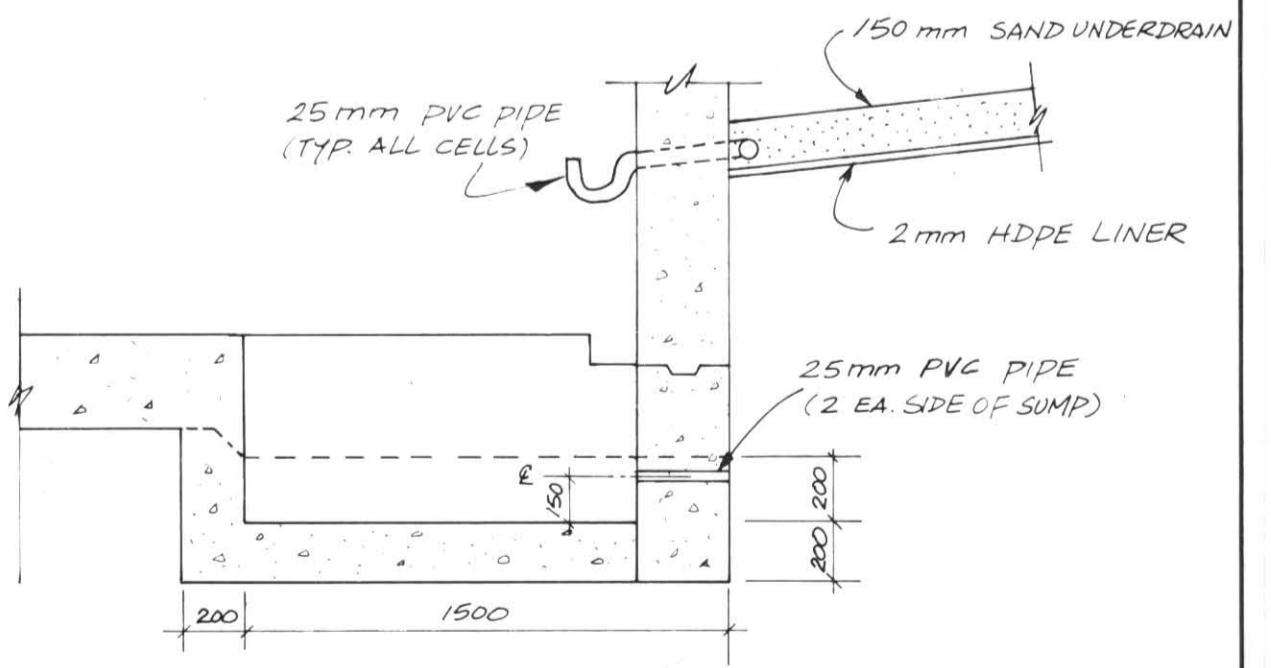
SECTION A-A 1:200



SECTION B-B 1:100
(TYPICAL ALL CELLS)



WALL SECTION @ WOOD ACCESS PANEL N.T.S.



SECTION C N.T.S.
SUMP DETAIL

PRELIMINARY
FOR DISCUSSION PURPOSES ONLY

PRELIMINARY
FOR DISCUSSION PURPOSES ONLY

	CURRAGH RESOURCES		DATE MAY 1987
	TAILINGS ABANDONMENT PROGRAM TEST FACILITY - CIVIL		PROJ. NO.
	EARTHWORKS		APPROVED
	STEFFEN ROBERTSON & KIRSTEN, Consulting Engineers		NO.
		007499	