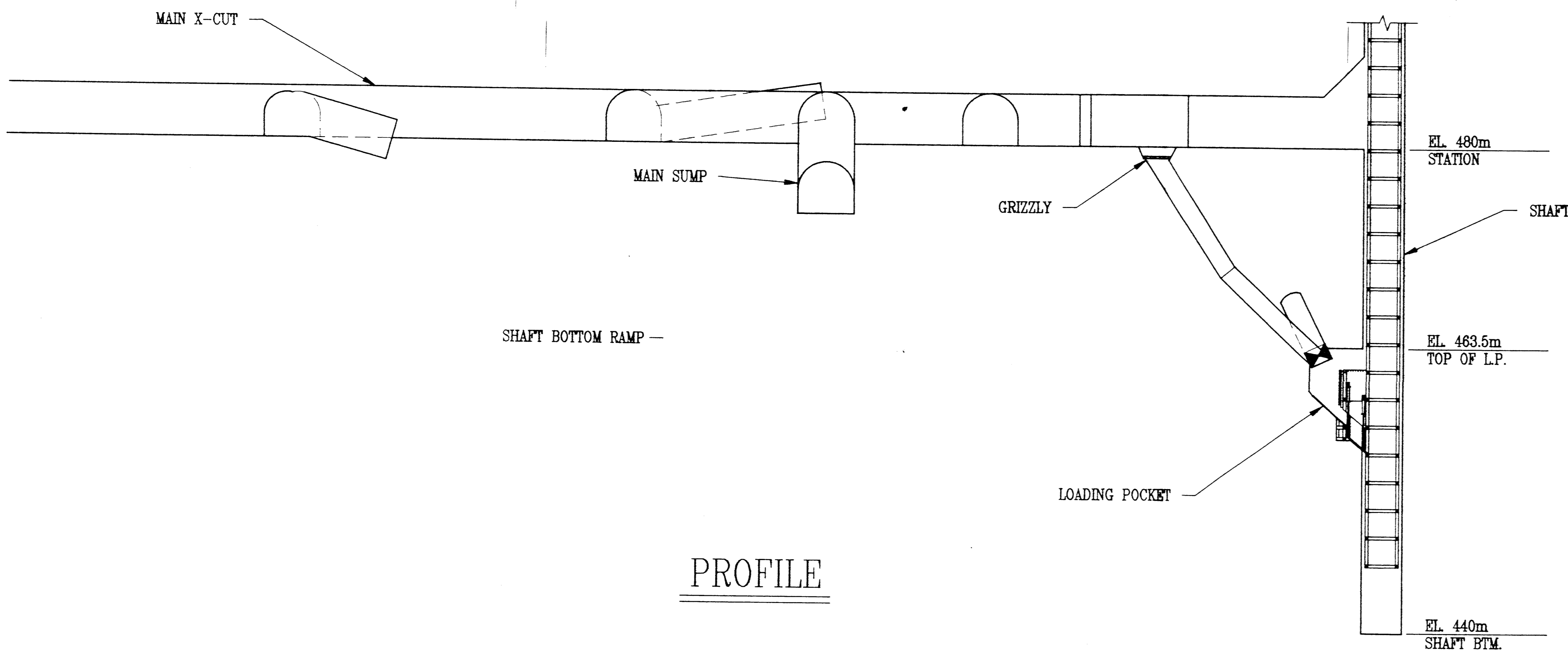
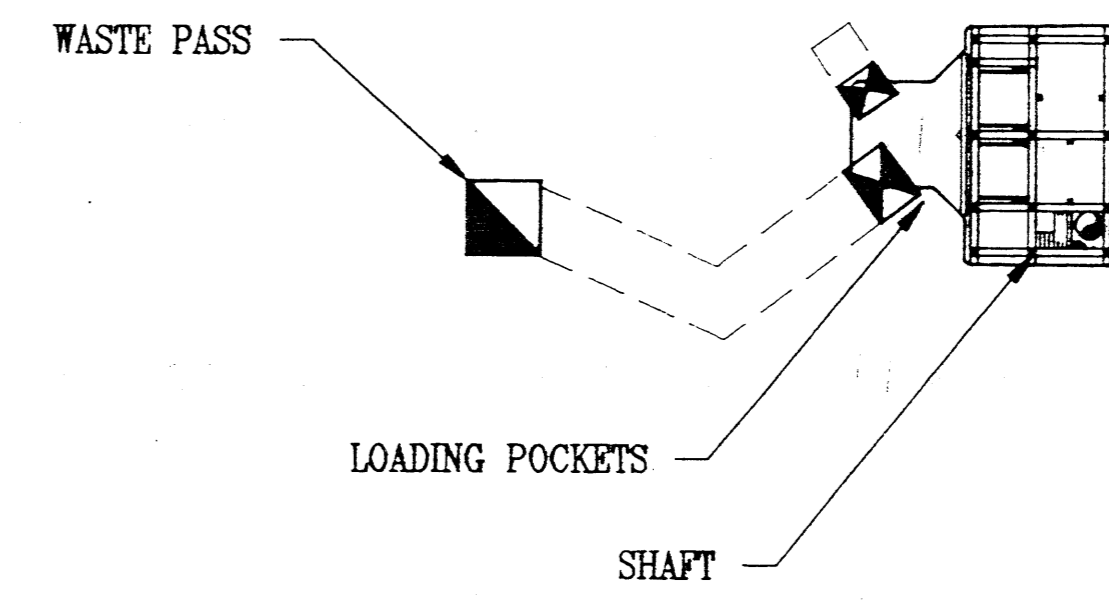


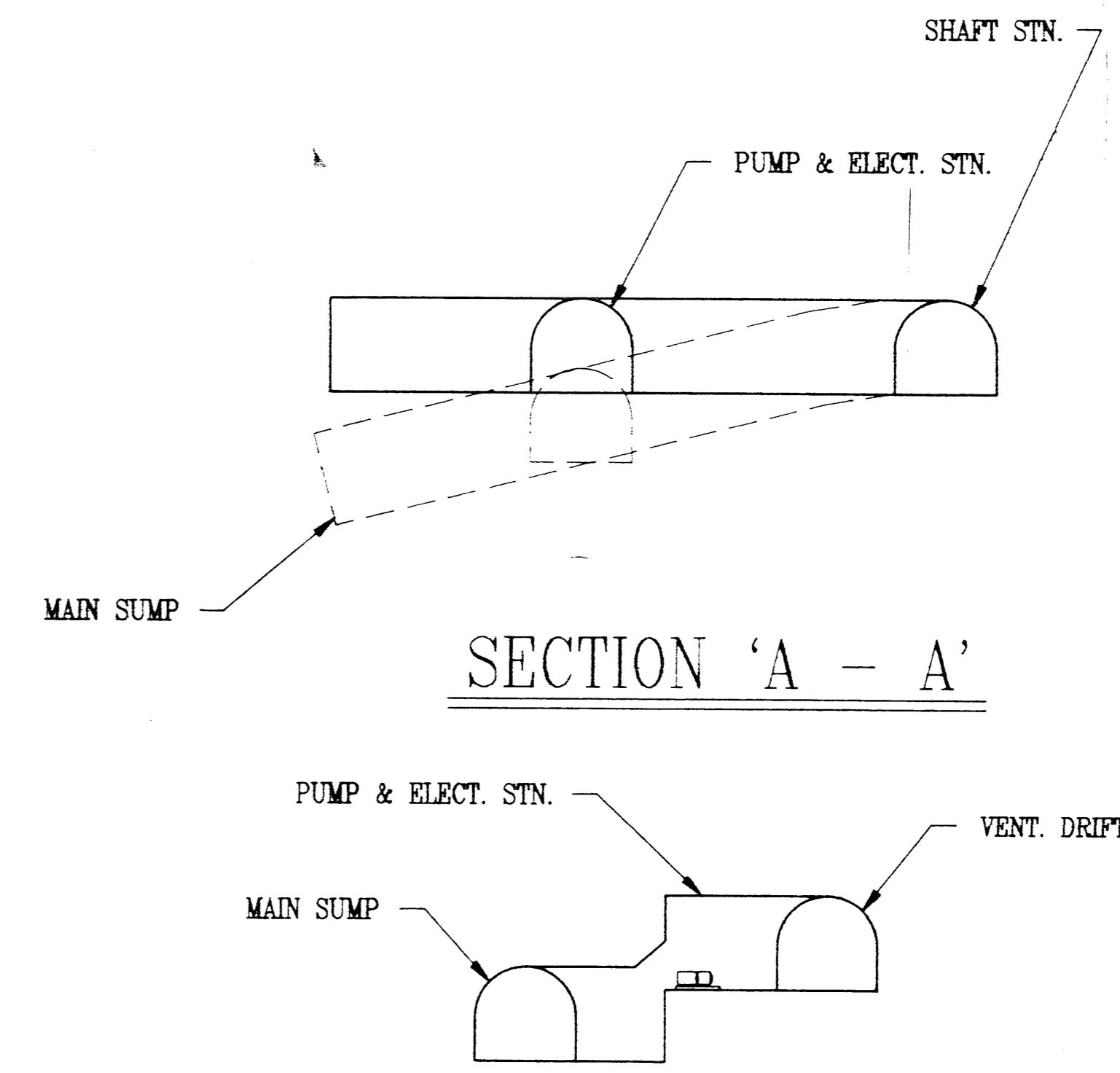
PLAN



PROFILE

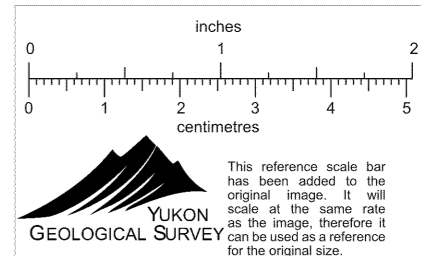


LOADING POCKET LEVEL PLAN

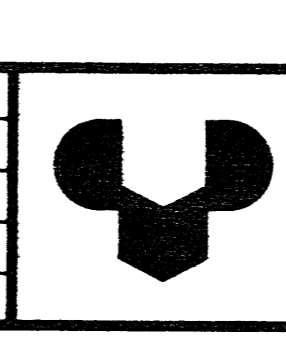


SECTION 'A - A'

SECTION 'B - B'



DWG. NO.	REFERENCE DRAWING	DWG. NO.	REFERENCE DRAWING	NO.	DESCRIPTION OF REVISION	DATE	BY	NO.	DESCRIPTION OF REVISION	DATE	NO.	APPROVED



CURRAGH RESOURCES CORP.  
DY DEPOSIT  
EXPLORATION PHASE  
G/A OF LOADOUT AREA

CANADIAN MINE DEVELOPMENT  
BRAMPTON, ONTARIO CANADA  
DWG. NO. 89-06-004  
REV. 008425

HF 3-003

AD 01-89-004

DY DEPOSIT  
EXPL + DEV