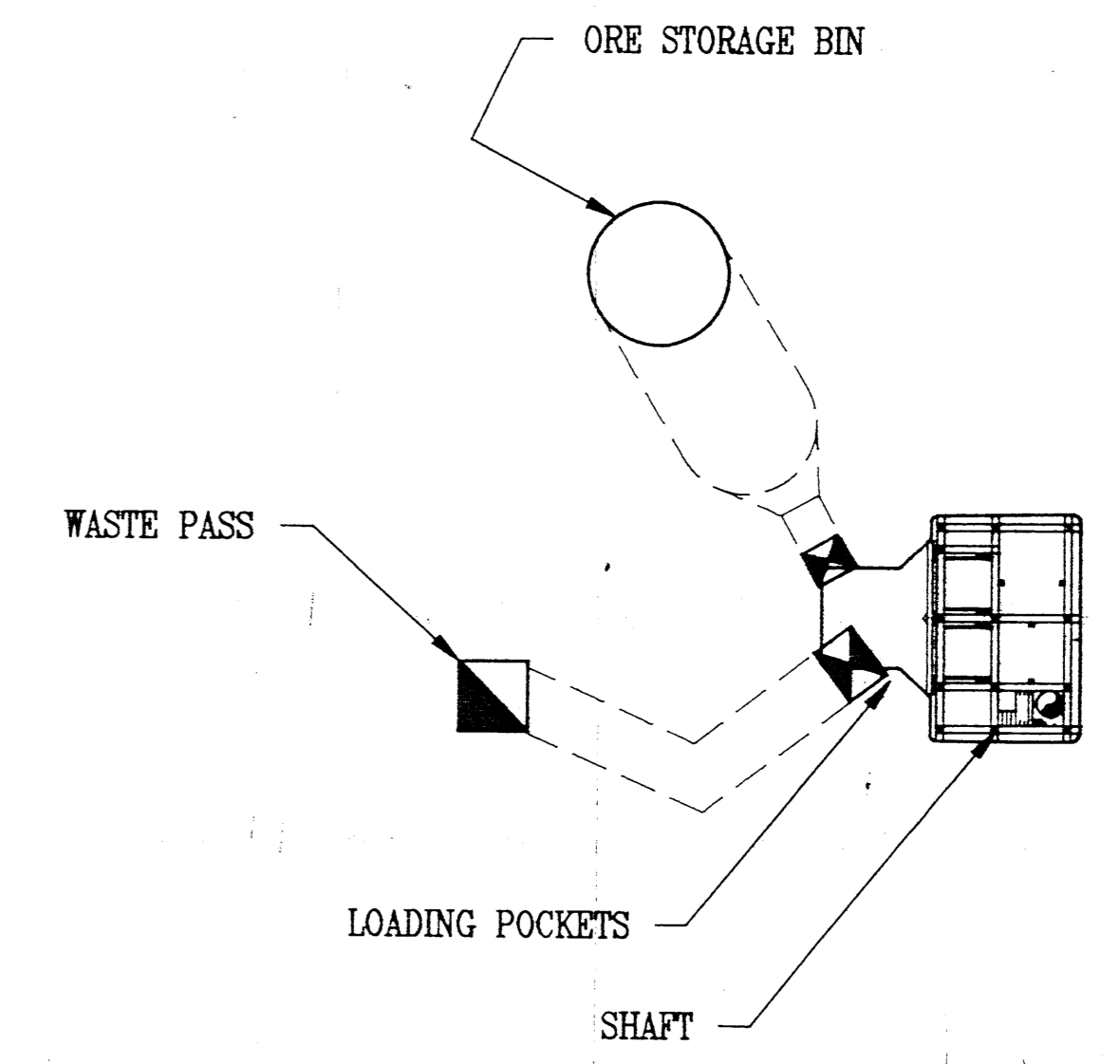
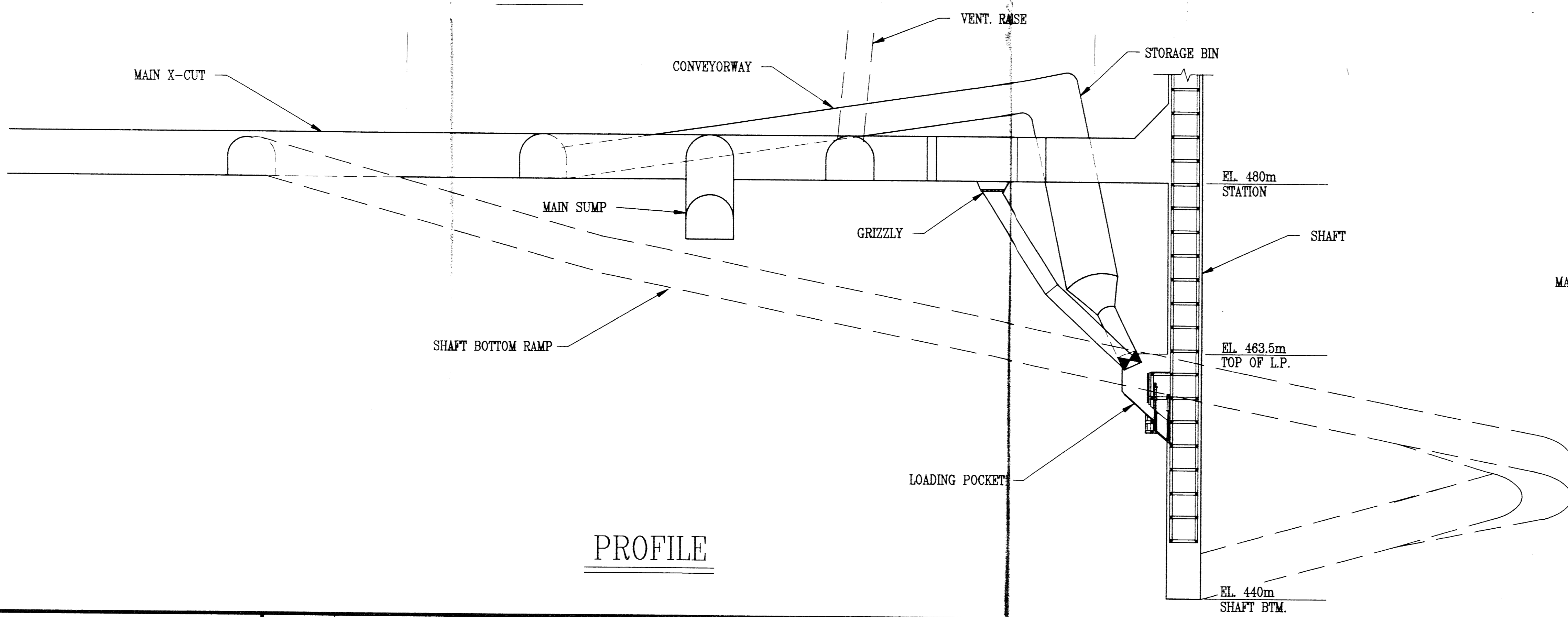


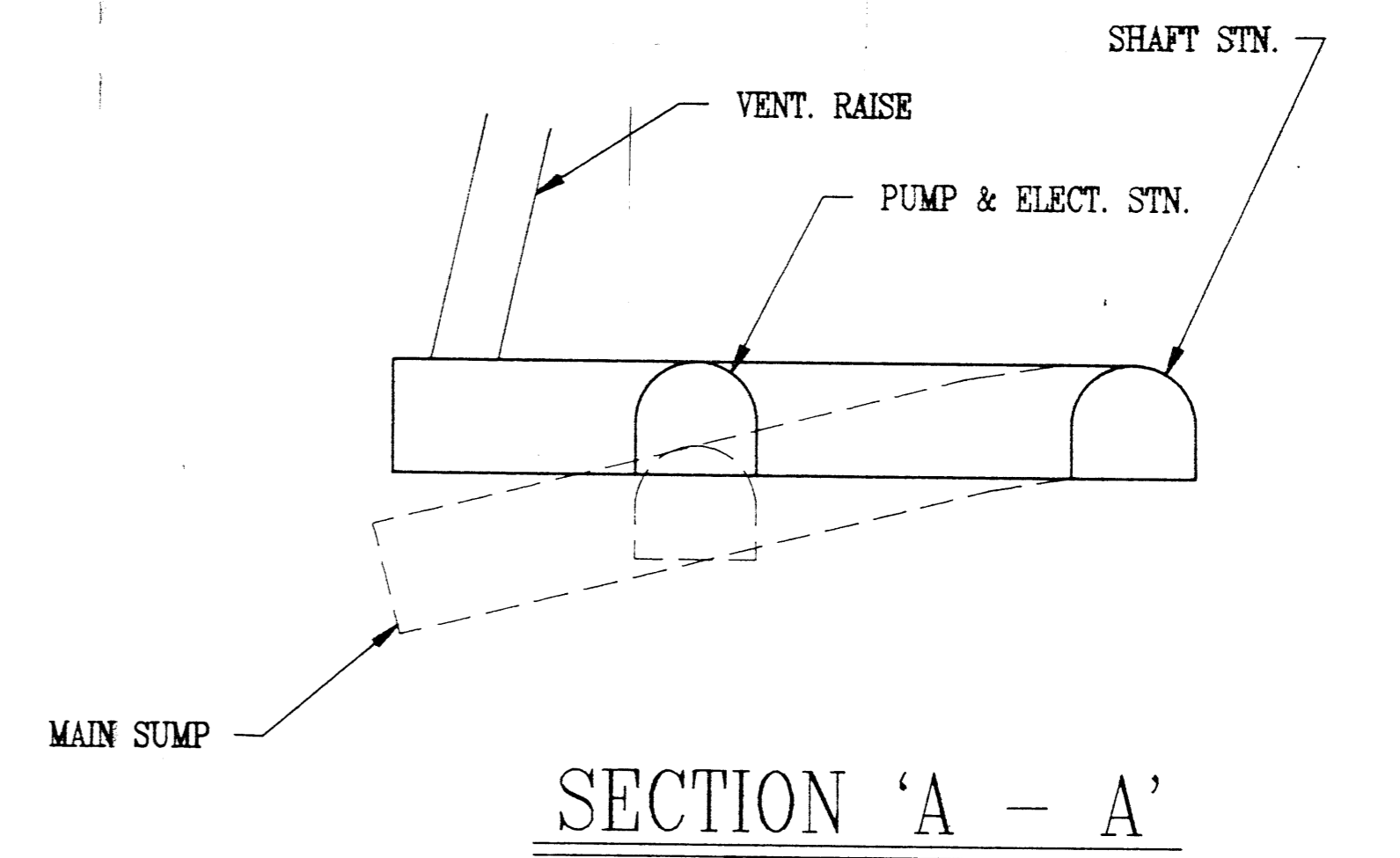
PLAN



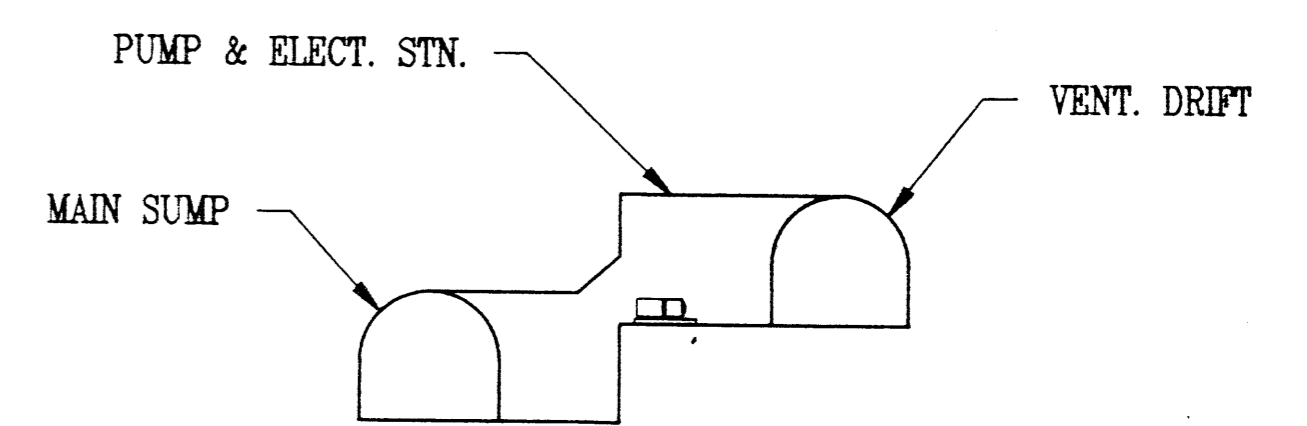
LOADING POCKET LEVEL PLAN



PROFILE



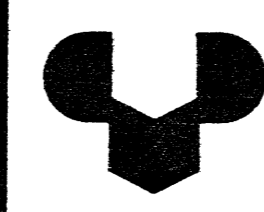
SECTION 'A - A'



SECTION 'B - B'

| DWG. NO. | REFERENCE DRAWING | DWG. NO. | REFERENCE DRAWING | NO. | DESCRIPTION OF REVISION | DATE | BY | NO. | DESCRIPTION OF REVISION | DATE | NO. | APPROVED: |
|----------|-------------------|----------|-------------------|-----|-------------------------|------|----|-----|-------------------------|------|-----|-----------|
|          |                   |          |                   |     |                         |      |    |     |                         |      |     |           |

|               |       |
|---------------|-------|
| SCALE: 1:250  | DATE  |
| DESIGNED:     |       |
| DRAWN: S.McG. | 02/89 |
| CHECKED:      |       |
| APPROVED:     |       |



CURRAGH RESOURCES CORP.  
 DY DEPOSIT  
 DEVELOPMENT PHASE  
 G/A OF LOADOUT AREA

CANADIAN MINE DEVELOPMENT  
 BRAMPTON, ONTARIO CANADA  
 DWG. NO. 89-06-007  
 REV. 008426

HF-3-010  
 AN-BV-89-006

BY REPORT  
 ENR + BEU