


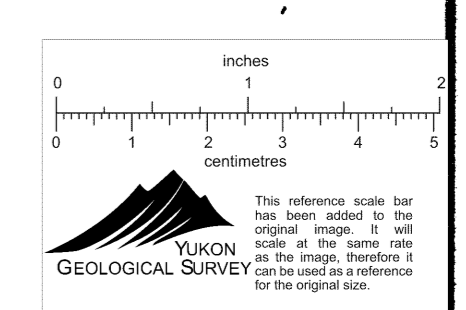


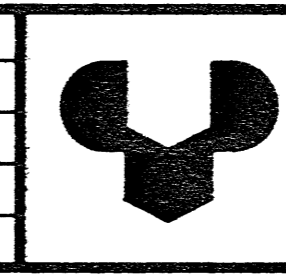
SECTION 15+00 E LOOKING WEST

LEGEND

-  HIGH GRADE ORE
-  LOW GRADE ORE
-  D.DRILL HOLE



DWG. NO.	REFERENCE DRAWING	DWG. NO.	REFERENCE DRAWING	NO.	DESCRIPTION OF REVISION	DATE	BY	NO.	DESCRIPTION OF REVISION	DATE	NO.	APPROVED:



CURRAGH RESOURCES CORP.  
DY DEPOSIT  
SECTION 15+00 E

CANADIAN MINE DEVELOPMENT  
DWG. NO. 89-06-014  
REV. 008+32