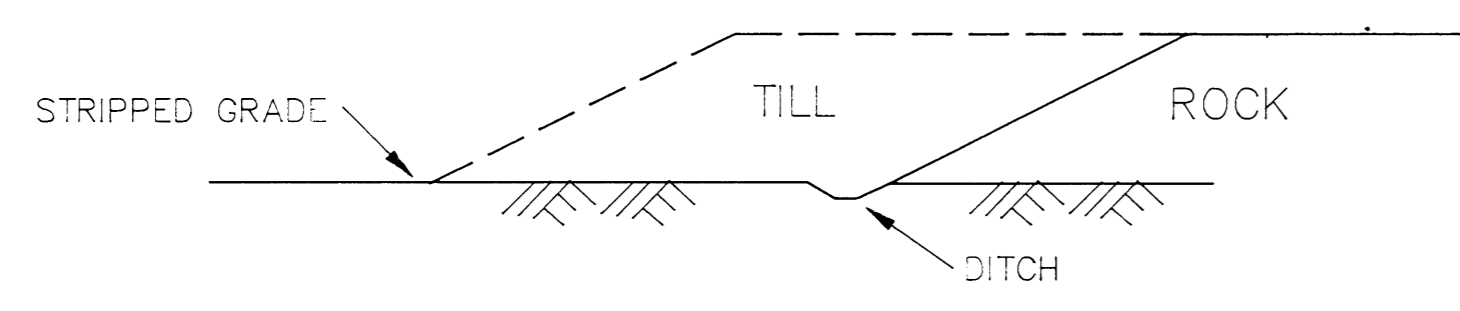
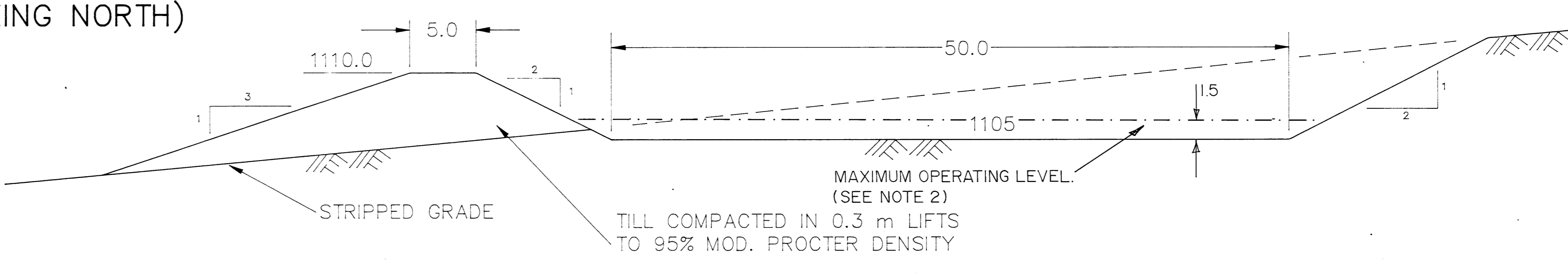


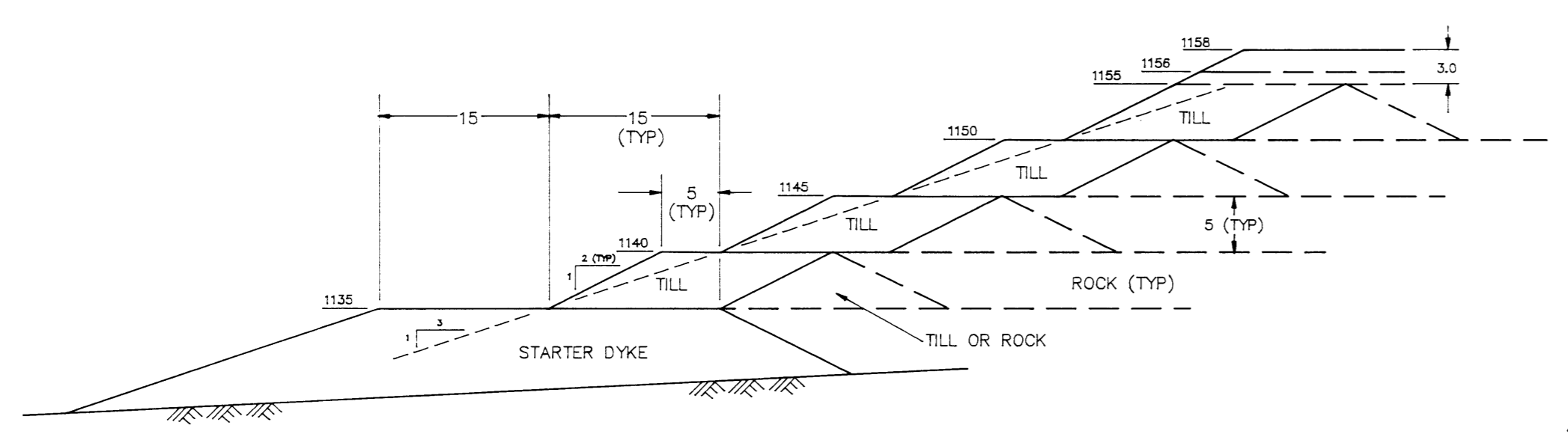
SECTION A-A
SECTION ALONG 2500 N (LOOKING NORTH)
SCALE 1:250



SECTION B-B
SCALE 1:250

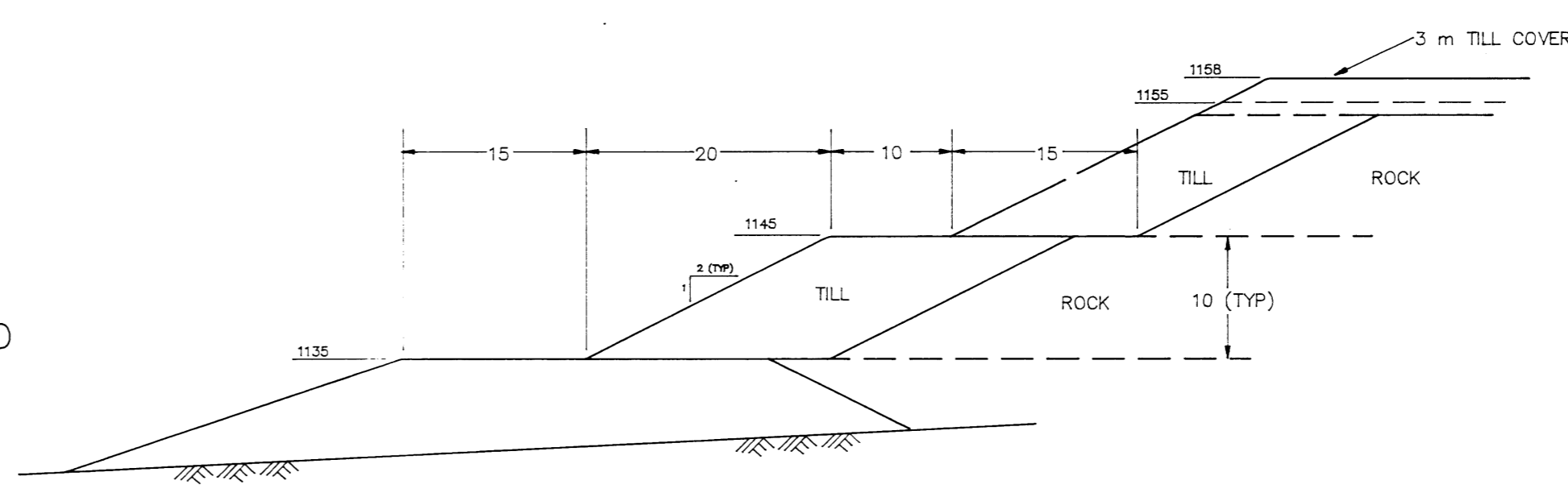


SECTION E-E
COLLECTION POND - TYPICAL SECTION
SCALE 1:250

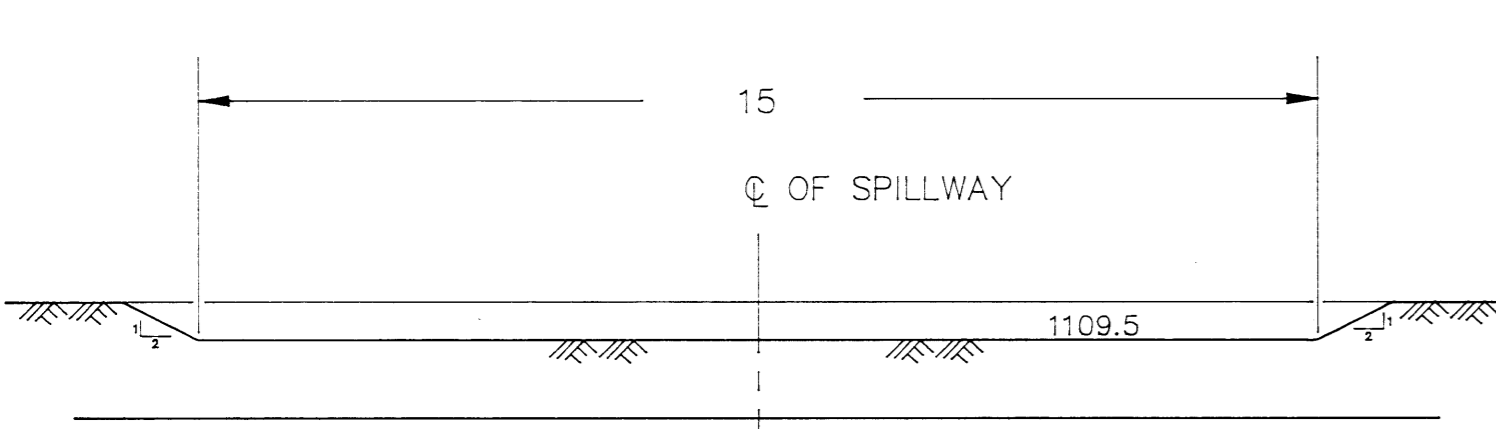


OPTION 1
TILL BERMS - 5 m LIFTS
SCALE 1:500

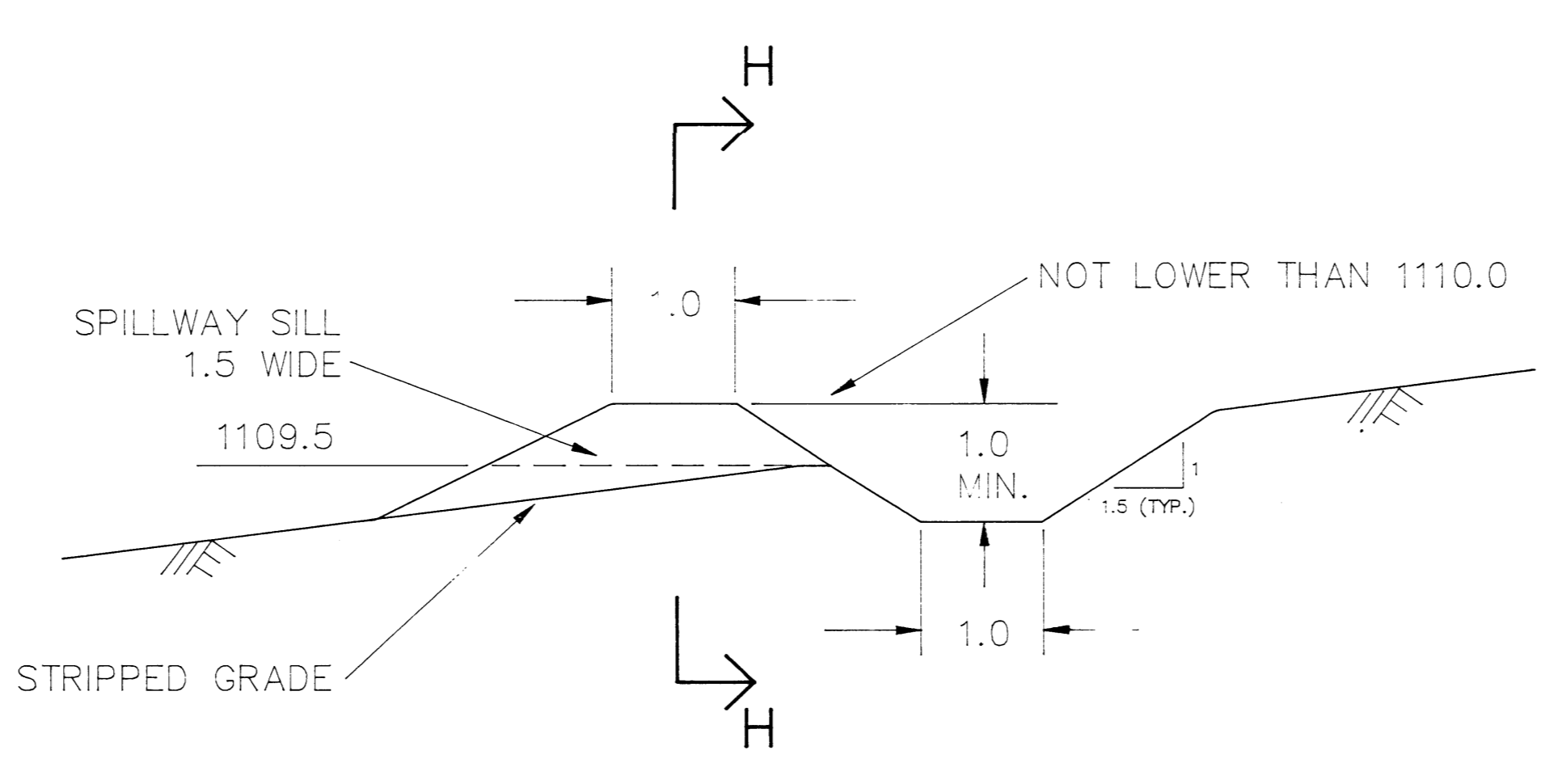
TILL COVER:
FIRST 1.0 m COMPACTED
TO 95% PROCTOR IN
0.3 m LIFTS.
REMAINING THICKNESS GRADED
AS SHOWN ON PLAN AND
COMPACTED BY TRAFFIC



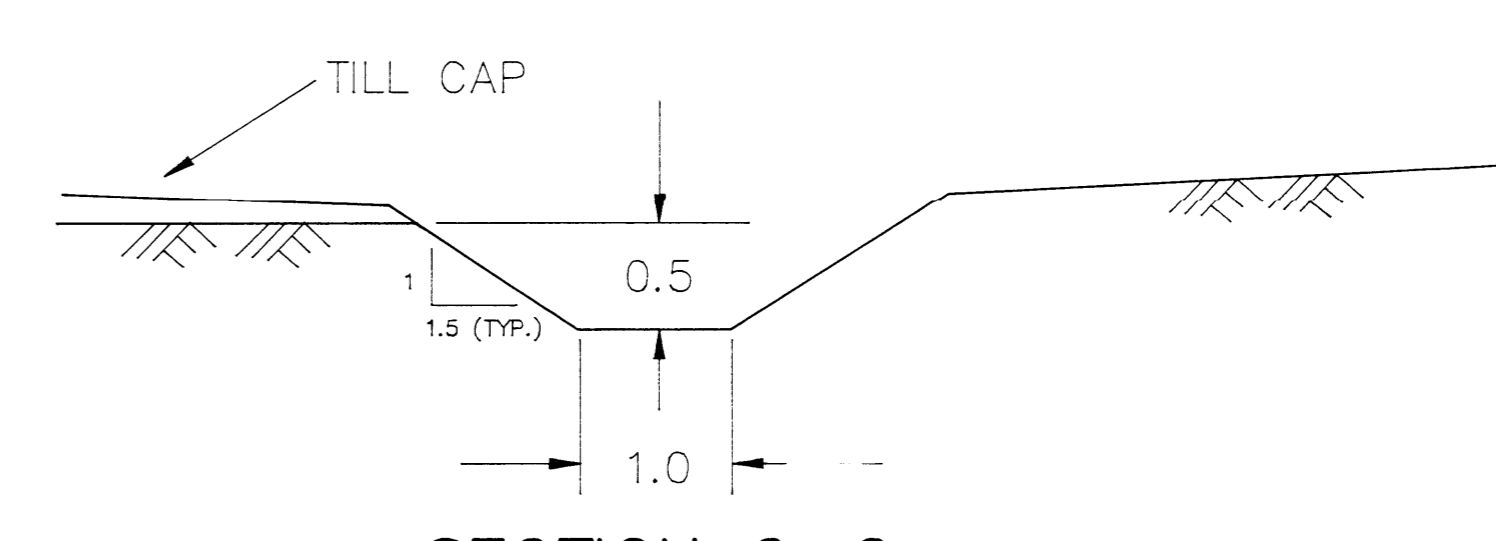
OPTION 2
TILL BERMS - 10 m LIFTS
SCALE 1:500



SECTION H-H
SPILLWAY
SCALE 1:100

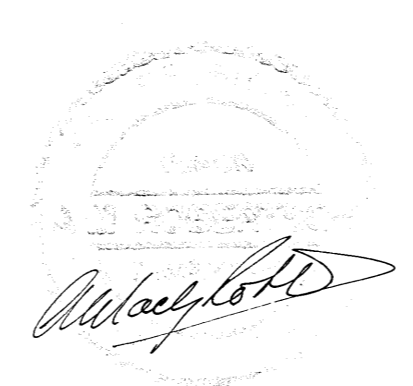
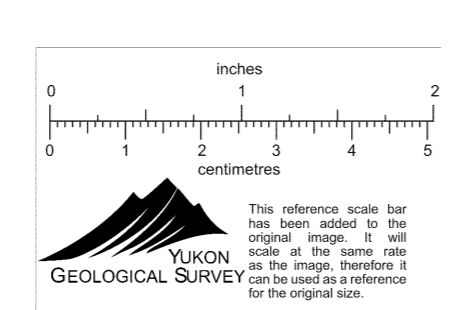


SECTION D-D
COLLECTION DITCH
SCALE 1:50



SECTION C-C
DIVERSION DITCH
SCALE 1:50

- NOTE:
1. ALL DIMENSIONS IN METRES.
 2. MAXIMUM OPERATING LEVEL TO PROVIDE STORAGE OF 24 HOUR - 200 YEAR RUNOFF.



CURRAGH RESOURCES INC.		DATE	MAY, 1990
VANGORDA WASTE DUMP SECTIONS TO EL. 1155		PROJ. NO.	60625
008495		APPROVED	
STEFFEN ROBERTSON & KIRSTEN, Consulting Engineers		FILE NO.	60625-03
		DWG. NO.	AN-VA-90-004

HF 3-240

AD-VA-90-004

VANGORDA WASTE DUMP
WATER LEACHATE APPLICATION