

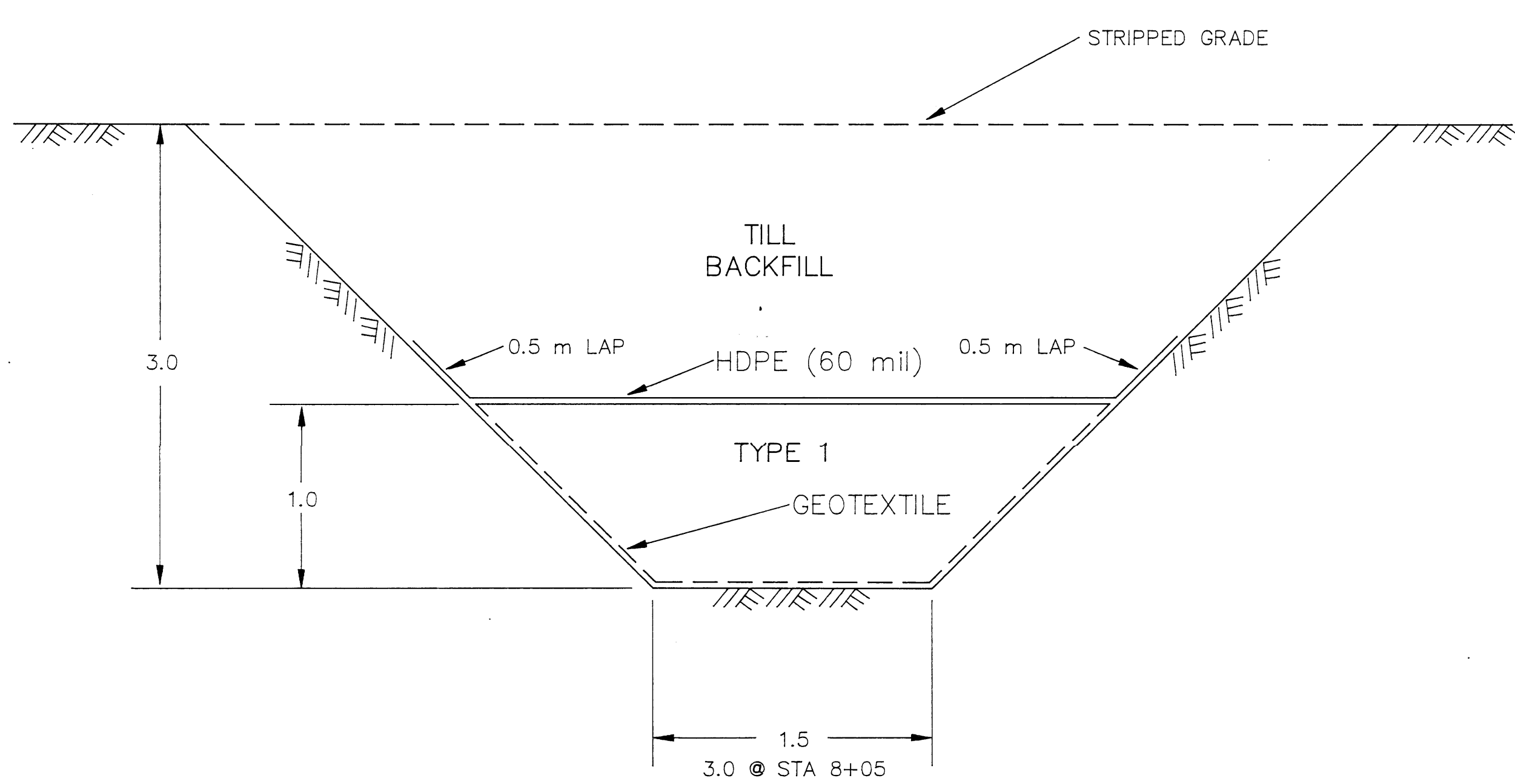
SECTION ALONG C-C
TRANSVERSE DRAIN
SCALE 1:100

FILTER & DRAIN GRADATIONS

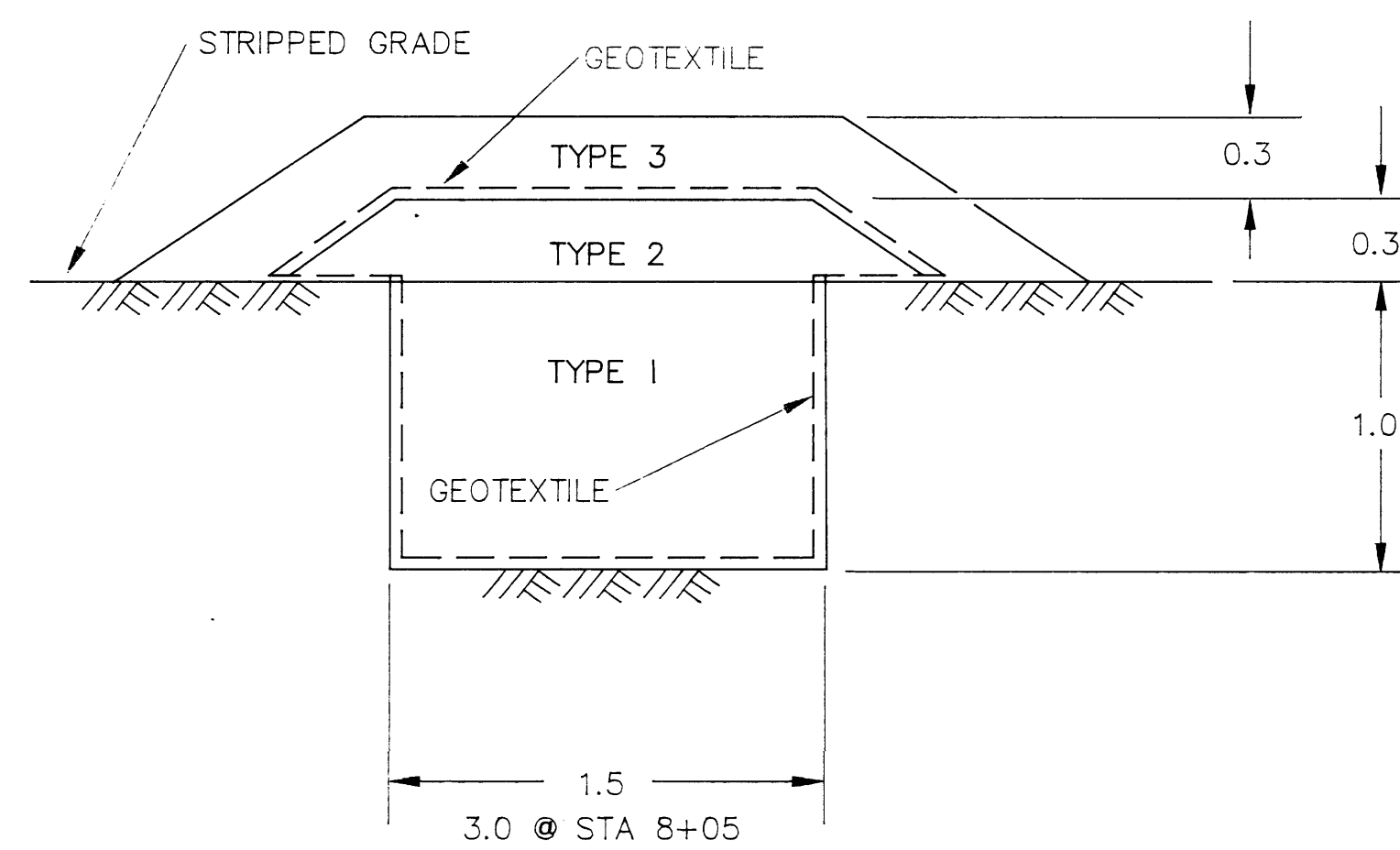
PERCENT PASSING BY WEIGHT

U.S. STANDARD SIEVE SIZE	SIEVE SIZE IN mm	TYPE 1	TYPE 2	TYPE 3
6"	150	100	—	—
1 1/2"	38	80-100	100	—
3/4"	19	40-85	85-100	100
3/8"	9.5	20-50	50-70	75-100
#4	4.75	0-15	30-50	50-72
#16	1.19	0-10	15-30	35-50
#40	0.42	0-5	10-15	30-40
#100	0.15	0-2	5-10	20-25
#200	0.075	0-2	0-5	15-20
VOLUME REQUIRED :		3000 m ³	1200 m ³	1500 m ³

NOTE: VOLUMES GIVEN FOR TYPE 1, TYPE 2 & TYPE 3 ARE 1.5 X NEAT VOLUME (TO ALLOW FOR LOSSES DURING PLACEMENT AND HANDLING)

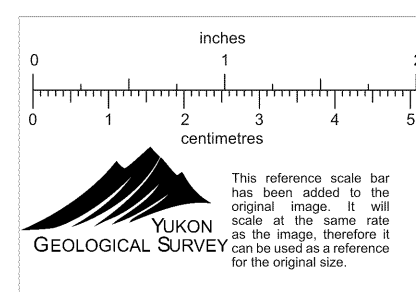


SECTION G-G
LONGITUDINAL DRAIN SIMILAR
SCALE 1:50



SECTION F-F
SCALE 1:50

NOTE:
1. ALL DIMENSIONS IN METRES.



CURRAGH RESOURCES INC.		DATE	MAY, 1990
VANGORDA WASTE DUMP DRAIN & FILTER DETAILS		PROJ. NO.	60625
		FILE NO.	60625-04
STEFFEN ROBERTSON & KIRSTEN, Consulting Engineers		DWG. NO.	AN-VA-90-005

HF-3-241
AN-VA-90-005

VANG - WASTE Dumps
Water Licence Application