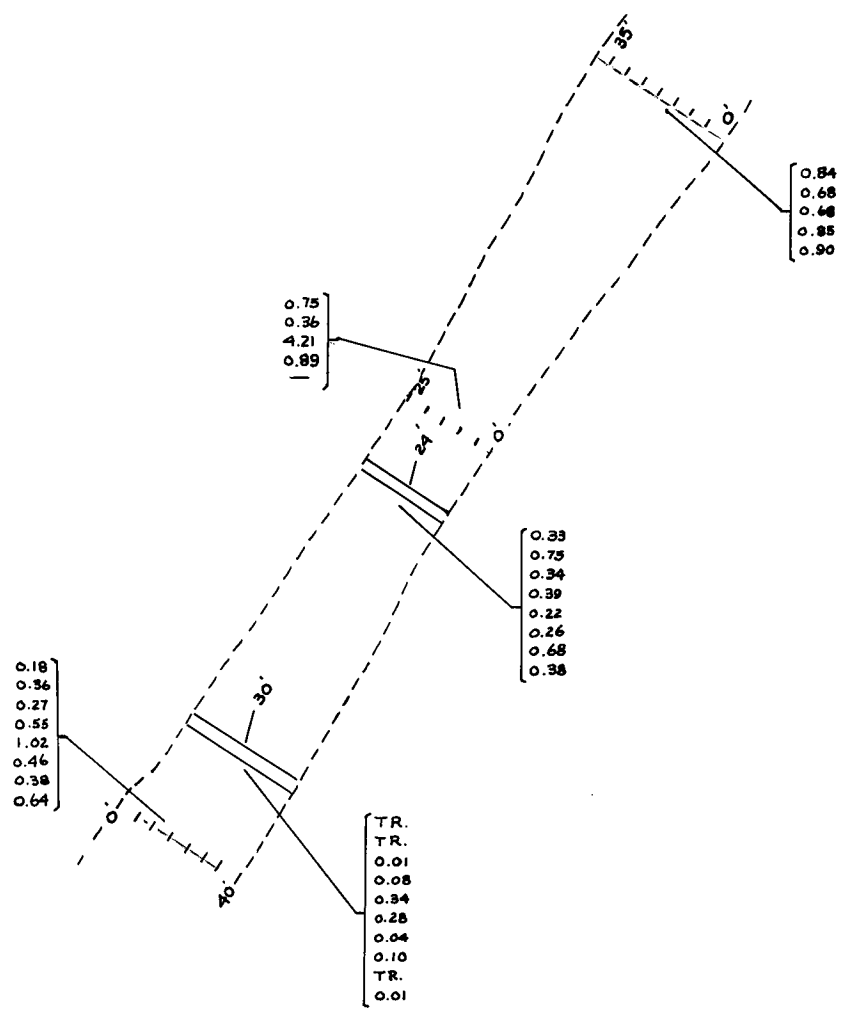


FIG. 3



LEGEND

- ||| 3x3 PANEL SAMPLING BY D.A. LYMAN (SEPT. 1968)
- |||| CHANNEL SAMPLING BY R. DARNEY (AUGUST 1968)

ATLAS EXPLORATIONS LIMITED  
 ROSS RIVER (Y.T.)  
 R.T. AREA  
CAB MINERAL CLAIM GROUP

ASSAY RESULTS  
 (WEST ZONE)

SCALE 1" = 50'

NOV. 28, 1968

R.D.

014445