

Diamond Drill Logs
65-53 - 8107
014955

Section 133
Faro - Zone 3

DIAMOND DRILL CORE LOG

Date: _____

Hole Number: F65053

Reference Fabric Orientation Diagram:

Project: FARO

Location: ZONE II - Zone II

Claim: _____

~~MINE~~ Terr. Plane Co-ords.: 6605.4 N

14,741.4 E

Grid Co-ords: 132E

11N

Elevation: 4019.8'

Total Depth: 427.0'

Purpose: _____

Reason hole Terminated: Limit of Drill. ???

Logged by: RBT

Date(s) Logged: Nov /82

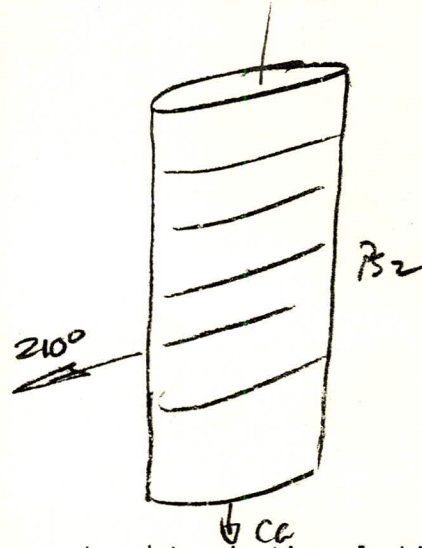
Drilling Contractor: _____

Size	CORE From	To	Collar Cased and Capped: _____
<u>1 1/8"</u>	<u>9'</u>	<u>427'</u>	

Hole Cemented: _____

Steel down hole: _____

Started: _____ Completed: _____



All symmetry determinations looking

NW with S2 dipping

SW with dip azimuth 210°.

RBT

Replot \times hole

133

CYPRUS ANVIL MINING CORPORATION

Page 1 of 4

DIAMOND DRILL CORE LOG

Date: Nov. 12/81

Hole Number: 66-E-3

Reference Fabric Orientation Diagram:

Project: FARO ZONE 3 RELOG

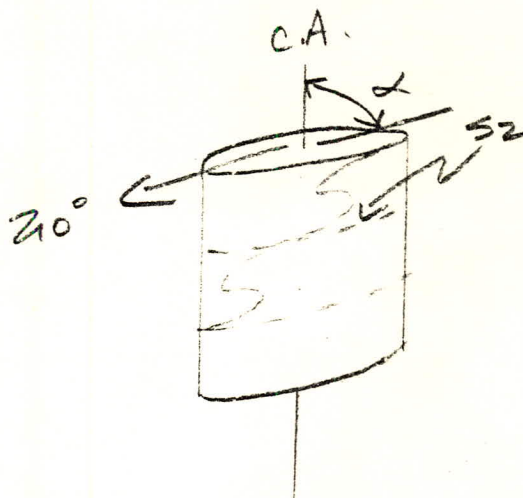
Location: FARO ZONE 3

Claim: _____

MINE
Ferr. Plane
Co-ords.: 7616.0 N

15,908.00 E

Grid
Co-ords: _____



All symmetry determinations looking

Elevation: 4016.00

NW with S2 dipping

Total Depth: 200'

SW with dip azimuth 210.

Purpose: DEFINE ^{East} W. MARGIN OF ZONE 3

Reason hole Terminated: _____

Logged by: RE PJ

Date(s) Logged: NOV. 12/81

Drilling Contractor: _____

Size	CORE From	To	Collar Cased and Capped: _____
<u>NQ</u>	<u>0</u>	<u>EOH</u>	

Hole Cemented: _____

Steel down hole: _____

Started: _____ Completed: _____

Handwritten signature in red ink

DDH 66-E-3
2 8

Diamond Drill Core Log

Date: _____

Logged By: EE
PN

Code	Drillhole	Elevation	Northing	Easting	Units (feet/metres)	R.F.E
I	2	8	10 16 17	24 25	32 34	39 41 42
T	66-E-3	40116.00	76116.00	15908.00	FEET	S2

F66E003

S2=210
S4=210

Code	Drillhole	Depth	Zenith Angle	True Azimuth	Comments
I	2	8	10 14 22	26 28	32 34 56
R	66-E-3	200	180.0	000.0	AT COLLAR NO DOWN HOLE SURVEY ONLY 200' ASSUME 18.0°
R	66E-03	000	135.0	200.0	

F66803

Code	Drillhole	Comments, Error Remarks, Snivellings and / or Lewd Suggestions
I	2	8 10

DDH ~~4-6-3~~ ^{F66803}
 2 8

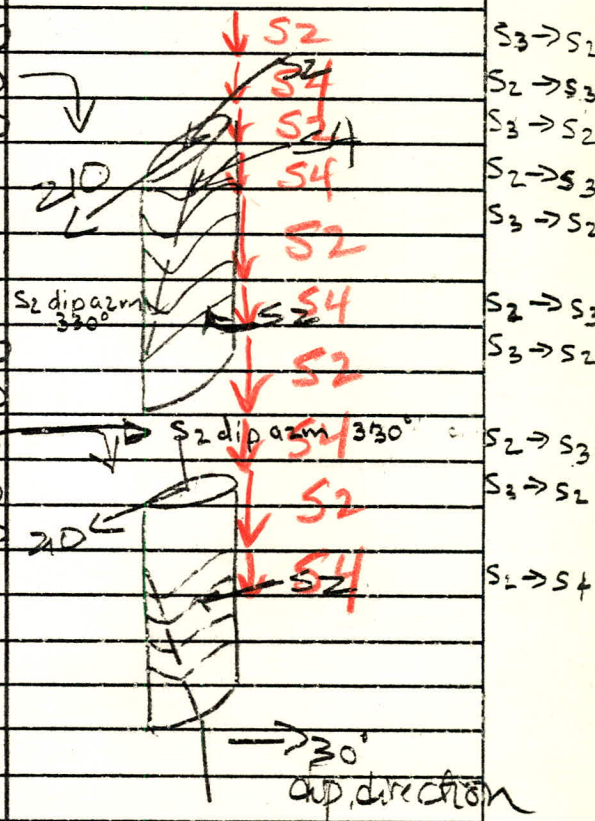
Cyprus Anvil Mining Corp.

Page 4 of 4
 RE
 Logged By: RN

Structural Log

Date: Nov. 12 1981

Code	From	To	Feature	S/M	S ₁ 1/2		S ₂ 1/4		Description
					Dip	Direct.	Dip	Direct.	
	10	14 16	20 22 24 26	28	32 34	38 40	44		
		1530	S2			40	210	↓ S2	S3 → S2
		1580	CS3			20	240	↓ S2	S2 → S3
		1650	S2			18	210	↓ S2	S3 → S2
		1913	CS3			10	210	↓ S2	S2 → S3
		1918	S2			45	210	↓ S2	S3 → S2
		1069	S2			40	210	↓ S2	
		1076	CS3			23	240	↓ S2	S2 → S3
		1134	S2			42	210	↓ S2	S3 → S2
		1148	S2			43	210	↓ S2	
		1168	CS3			16	240	↓ S2	S2 → S3
		1188	S2			25	210	↓ S2	S3 → S2
		1194	S2			33	210	↓ S2	
		1196	CS4			48	210	↓ S2	S2 → S4
		ECH							



133

CYPRUS ANVIL MINING CORPORATION

Page 1 of 5

DIAMOND DRILL CORE LOG

Date: _____

Hole Number: 72-11

Reference Fabric Orientation Diagram:

Project: FARO ZONE 3

Location: _____

Claim: _____

MINE
Terr. Plane
Co-ords.: 8046.7 N

16,179.7 E

Grid
Co-ords: _____

All symmetry determinations looking

Elevation: 4060.00 feet

_____ with _____ dipping

Total Depth: 287'

_____ with dip azimuth _____.

Purpose: _____

Reason hole
Terminated: _____

Logged by: _____ Date(s) Logged: _____

Drilling
Contractor: _____

Size	CORE From	To	Collar Cased and Capped: _____
_____	_____	_____	
_____	_____	_____	
_____	_____	_____	

Hole
Cemented: _____

Steel down
hole: _____

Started: _____ Completed: _____

DDH 72-11
2 8

Diamond Drill Core Log Date: _____ Logged By: _____

Code	Drillhole	Elevation	Northing	Easting	Units (feet/metres)	R.F.E						
I	2	8	10	16	17	24	25	32	34	39	41	42
T	72-11	4060.00	8046.70	16179.70	Feet	S2						

S2=210
S4=210

Code	Drillhole	Depth	Zenith Angle	True Azimuth	Comments					
I	2	8	10	14	22	26	28	32	34	56
T	72-11	1000	180.0		AT COLLAR					
R	72-11	1000	180.0	099.0	AT COLLAR					
R	72-11	1000	177.2	099.0	A+Z FAKED					
R	72-11	2000	175.4	099.0	" "					

Code	Drillhole	Comments, Errant Remarks, Snivellings and / or Lewd Suggestions		
I	2	8	10	56

Lithologic Log

Date: 17 Nov 82 Logged By: RST/DST

Code	From		To		Recov.		No.		Unit	Description
	10	14	16	20	22	24	26	28		
L		100		880				1	#	O/B
L		880		1205				2	1059	highly weathered & gauged. see struct log
L		1205		1495				3	104	90% gauge & broken core; (OQO) 139-147 = 3' rec'd 4' rec'd
L		1495		1930				4	100	±6; gauge 160.5' (.5'), 191.5-193.0;
L		1930		2250				5	109	interval split & wholly pyritic to 15% max.; 202-225 = split
L		2250		2290				6	1000	[200]; f. yellow wholly pyritic quartzite band; < 10% py; could be pre D-2 qtz vein or just poor example of 280
L		2290		2870				7	109	from 230-250 core missing "some dark chopped the box" RST; broken core & minor gauge 252-254; 264.5-276.2 = 70% gauge & blk. core; frac 11 ca. 276.2-287.0; gauge 279-280

Code	From		To		Feature	S ₀ Dip Direct.	S ₁ Dip Direct.	S ₂ Dip Direct.	Description			
	10	14	16	20						22	24	26
\$				1400					microfault juxtaposing 100 against 10E9 @ 10° to c.a. may be relict of steep thrust/ like contact			
\$	12160		1495						gouge contacts IND			
\$	1495		2870	CS4Z					zone essent. a short "S" limb of an overall "Z" symmetry F ₄ fold?? core too broken for detailed symm anal.			
S			1600	CS4Z				70 210				
S			1745	CS4Z				60 210				
\$	1915		1930	FLT					gouge of IND contacts			
S			1975	CS4S				45 210				
S			2340	CS4Z				70				
S			2580	CS4Z				75				
\$	2520		2540	FLT					lower cut 30° to c.a.; upper IND			
\$	2645		2762	FLT					" " 40° " "			
S	2762		2870	FRC			15 250	50 210	≈ 11 c.a.; meas. EOI ≈ S ₁			
S			2870	CS4Z				50				

S2

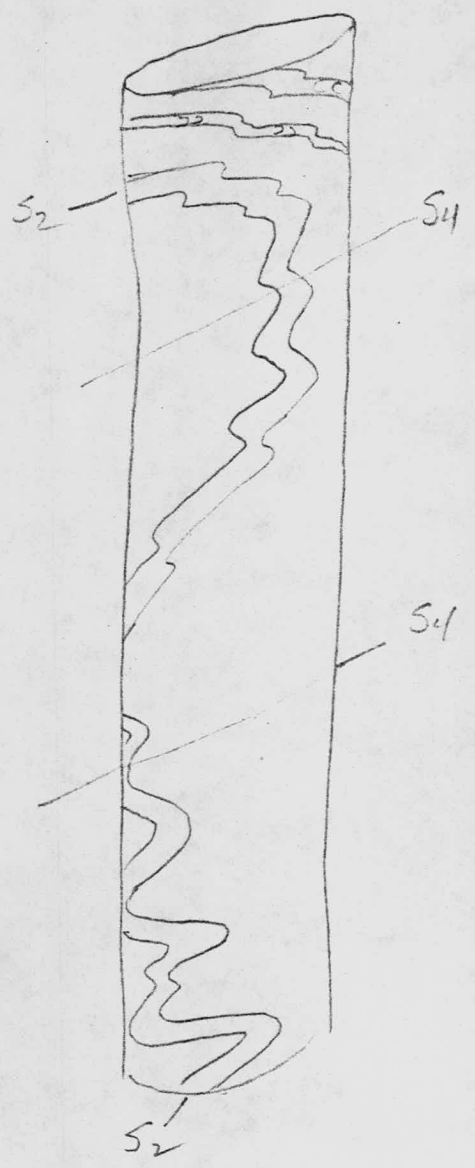
S1 → S2

SA

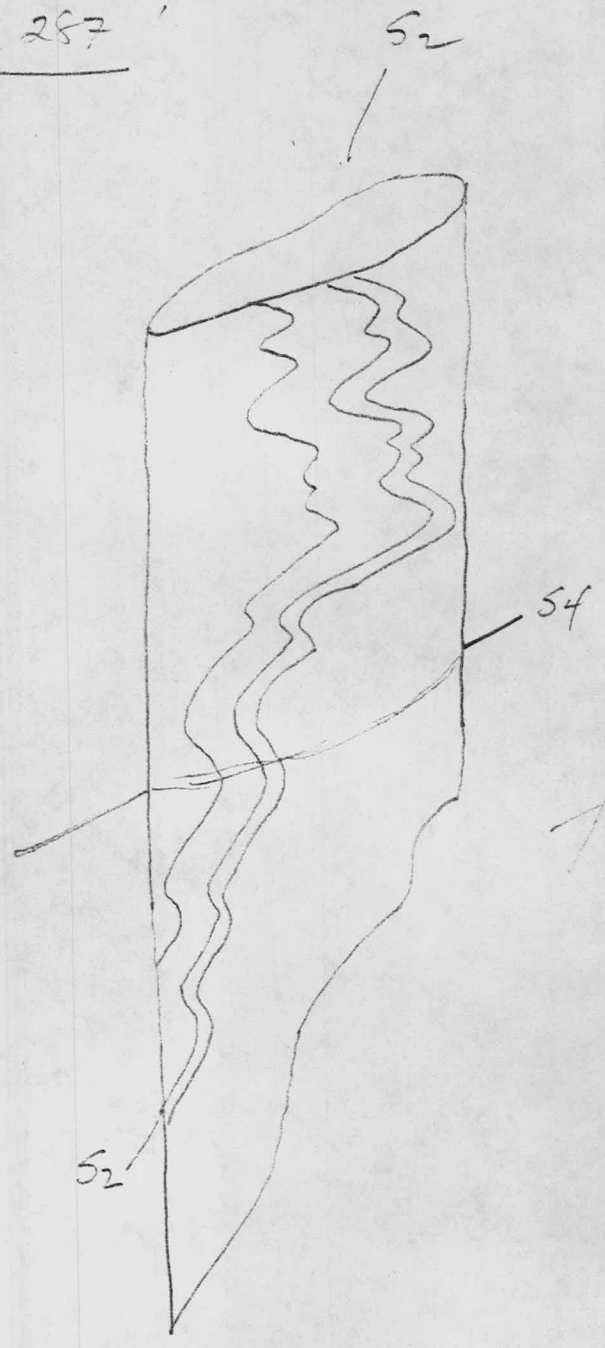
↓

72-11

At 172'



At 287'



S2
S4
= S

CYPRUS ANVIL MINING CORPORATION

DIAMOND DRILL CORE LOG

133

Hole Number: 74-21

Fabric Orientation Diagram:

Project: ZONE 3 RE-LOG

Location: ZONE 3

Claim: _____

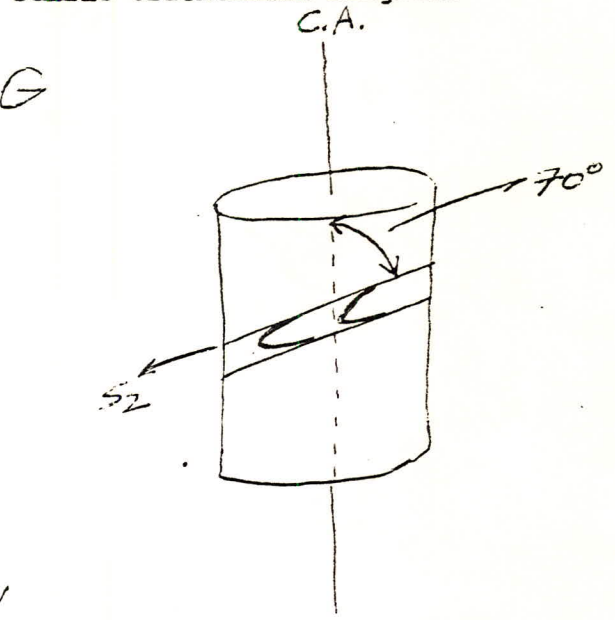
Terr. Plane Co-ords.: _____ N

_____ E

Grid Co-ords.: 7191.91 N

MINE 15402.36 E

Elevation: 4014.0



All symmetry determinations looking NW with S2 dipping SW with dip azimuth 210°.

Total Depth: 250.0

Purpose: ZONE 3 DEF'N.

Logged by: _____ Date(s) Logged: _____

Drilling Contractor:	Core:	Size	From	To	Collar Cased and Capped:
_____	_____	_____	_____	_____	_____
_____	_____	_____	_____	_____	_____
_____	_____	_____	_____	_____	_____

Started: _____ Completed: _____

DDH 74-21
2 8

Diamond Drill Core Log Date: _____ Logged By: _____

Code	Drillhole	Elevation	Northing	Easting	Units (feet/metres)	R.F.E
I	2	8 10	16 17	24 25	32 34	39 41 42
T	74-21	4014.00	7191.91	15402.36	Feet	S

S₂ = 210
S₄ = 210

Code	Drillhole	Depth	Zenith Angle	True Azimuth	Comments
I	2	8 10	14 22	26 28	32 34
R	74-21	00.00	178.9	091.0	AT COLLAR
R	74-21	10.00	178.3	091.0	AZIMUTHS OF THIS HOLE
R	74-21	20.00	177.1	091.0	NOT MEASURED
					ESTIMATED FROM SURROUNDING HOLES NOV 1982
R	74-21	00	180.0	090.0	AT COLLAR
R	74-21	10.00	177.2	090.0	A+Z FAKED
R	74-21	20.00	175.4	090.0	" "

Code	Drillhole	Comments, Errant Remarks, Snivellings and / or Lewd Suggestions
I	2	8 10
		A

Structural Log

Code	From		To		Feature	S₀		S₁		S ₂		Description
	10	14	16	20		Dip	Direct.	Dip	Direct.	Dip	Direct.	
S	440		7163									broken core <u>S₂</u>
S			5160		P, S, Z					710	2110	NOTE: S ₂ measurements taken
S			9770		P, S, Z					715	2110	from re-log (DJS)
S	7163		870									fault gouge
S	870		980									broken core
S			11180		P, S, Z					710	2110	
S			11310		P, S, Z					45	2110	
S			11350		P, S, Z					010	2110	
S			11390		P, S, Z					515	2110	large S ₄ <u>z</u> suspect 131-139 note lithologic repetition 2E7 (2H2, 1D4, 2C0, 1D4, 2H2)
S			11570		P, S, Z					615	2110	
S			11700		P, S, Z					710	2110	
S			12040		P, S, Z					615	2110	
S			12180		C, S, 4 z	810	01010			415	2110	S ₀ = S ₂ S ₄ ranges from 35.0 → 50.0
S			12320		C, S, 4 z	610	01010			415	2110	S ₀ = S ₂
S			12420		C, S, 4 z	810	01000			410	2110	S ₀ = S ₂

CYPRUS ANVIL MINING CORPORATION

DIAMOND DRILL CORE LOG

133

Hole Number: 81-05

Fabric Orientation Diagram:

Project: PIT DRILLING

Location: ZONE 3

Claim: _____

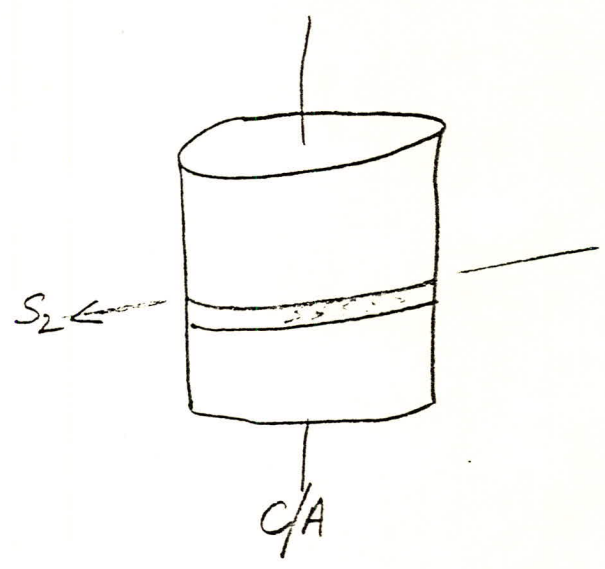
Terr. Plane Co-ords.: _____ N

_____ E

Grid Co-ords.: 7,091.80 N

15,304.13 E

Elevation: 4005.81



All symmetry determinations looking NW with S2 dipping SW with dip azimuth 210.

Total Depth: 252.0

Purpose: _____

Logged by: JWM Date(s) Logged: _____

Drilling Contractor:	Core:	Size	From	To	Collar Cased and Capped:
<u>ADD</u>	<u>NQ</u>	<u>COLLAR</u>	<u>252.0</u>		<u>NO</u>

Started: _____ Completed: _____

DDH 81-05
2 8

Diamond Drill Core Log

Date: _____ Logged By: _____

Code	Drillhole	Elevation	Northing	Easting	Units (feet/metres)	R.F.E.
I	2	8 10	16 17	24 25	32 34	39 41 42
T	81-05	4005.81	7091.80	15304.13	Feet	52

S₂ = 210
S₄ = 210

Code	Drillhole	Depth	Zenith Angle	True Azimuth	Comments	
I	2	8 10	14 22	26 28	32 34	56
R	81-05	0	180.0	095.0	AT COLLAR	
R	81-05	100	178.9	095.0	AZIMUTHS OF THIS HOLE	
R	81-05	200	178.3	095.0	NOT MEASURED; ESTIMATED FROM SURROUND ING HOLES NOV 1982	
R	81-05	00	180.0	037.0	AT COLLAR	
R	81-05	100	177.2	037.0	Z _{FA} IS FAKED	
R	81-05	200	175.4	037.0	Z _{FA} IS FAKED	

Code	Drillhole	Comments, Errant Remarks, Snivellings and / or Lewd Suggestions	
I	2	8 10	56
		A	

Code	From		To		Unit	Code	Description
	10	14	16	20	22 23 25 27	21 23 25 27	
L	100		1378		01	H	recorrel no core
L	1378		1437		02	1D10	? Fault gouge + clay casted.
L	1437		1890		03	1D10	andalusite with sillimanite.
L	1890		1930		04	1D10	? unit - silica - chlorite - T
L	1930		11070		05	1D10	As in unit 03
L	11070		11160		06	1D10	Fault gouge - contacts not clear.
L	11160		11338		07	1D14	andalusite still present some \rightarrow biotite with garnet in S_2 plane.
L	11338		11349		08	1D14	Fault + clay - unit - silica - chlorite - T
L	11349		11382		09	2D4 79	1138-136 50' REC RECOVER 45' IN 12' / 20' to 24' - has a sandy matrix 2D out
							a chunky massive rock grade section - similar to 2M
L	11382		11405		10	2A4	9. grade, silica + chlorite in 2F matrix increasing towards end of unit - minor fault but not 2F26
L	11405		11445		11	2D10	Diorite - original texture - no coarse areas with contacts - with 2F contact at base + some coarse horizontal contact -15° to SH - marked by significantly smaller fragments of 2C. Locally, over in S_2 in S_2 - \rightarrow success a unit S_2 ?
L	11445		11468		12	2B0	as above but not described
L	11468		11530		13	2A10	original grade in 2F or 2C. grad 2A - silica appears to be well-sorted (sandstone)
							unit - silica - chlorite - T here
L	11530		11610		14	2D14	this is the same as 4L4971 silica co-Au (Pb-Zn) zone (locally rare)
L	11610		11680		15	2B10	As in unit 15, slight decrease in 76±En, locally to 2A
L	11680		11720		16	2B10	12A0 -14/17 locally to 2A
L	11720		11753		17	2A10	- locally to unit 17 (with 2C)
L	11753		11772		18	1D10	horizontal contact 40° SW to S_2 Fault zone - unit - silica - chlorite - T

Structural Log

Code	From		To		Feature	S ₀		S ₁		S ₂		Description	
	10	14	16	20		22	24	26	28	32	34		38
S	36	0	46	0									shrd, gouge breccia, @ 43.8 shr 25° to c.a, low cnt 5° to c.a.
S	46	0	89	2									broken core
S			44	0	S ₂						7.7	2110	} measurements taken from original log
S			58	0	S ₂						8.0	2110	
S			68	0	S ₂						8.1	2110	
S			72	0	S ₂						8.3	2110	
S			88	0	S ₂						8.5	2110	
S	89	2	90	3									gouge breccia, up cnt 40° to c.a no low cnt.
S	90	3	104	8									broken core
S	104	8	107	3									gouge, shrd, w/ graphitic @ last 6" of unit low cnt 11 to S ₂ (80° to c.a)
S	107	3	133	4									broken core
S			93	4	S ₂						8.0	2110	} taken from original log.
S			118	0	S ₂						7.8	2110	
S			128	0	S ₂						8.0	2110	
S			134	0	S ₂						7.4	2110	
S	134	0	135	0									gouge breccia, ID4 mtrx
S			145	0	S ₂						8.0	2110	} taken from original log
S			155	0	S ₂						8.4	2110	
S			163	0	S ₂						8.6	2110	
S			174	0	S ₂						7.5	2110	
S	174	6	177	6									gouge breccia, no up cnt, low cnt. 60° to c.a
S			178	5									fracture zone sub 11 to c.a.
S	185	0	200	6	FILT								broken core, gouge breccia, shrd, up cnt. ≈ 5 to c.a, 3" gouge breccia @ up cnt, 8" qtz vein @ 188.0, @ 189.3 shr 15° to c.a, @ 192.6 limonite staining, no low cnt.
S			181	0	S ₂						6.2	2110	} taken from original log
S			194	0	S ₂						5.0	2110	
S			200	0	S ₂						4.6	2110	

DDH 81-05
2 8

Cyprus Anvil Mining Corp.

Structural Log

Date: NOV 18 1982 Logged By: JK

Code	From		To		Feature	S ₀		S ₁		S ₂		Description
	10	14	16	20		Dip	Direct.	Dip	Direct.	Dip	Direct.	
A	2112	5	2122	0	FILT							broken core, shrd, minor gouge @ 215.6 → 217.0 sericitic w/ minor anhydrite qtz vein no cnts, from 221.0 → 223.0 shrd, bxtd w/ strong sericitic altn
A	2312	0	2333	5	SHR							gouge breccia, shrd, shearing @ both 5° to c.a. & 30° to c.a.
S			2413	0	SZ				48	2110		} taken from original log
S			2416	0	SZ				38	2110		
A			2318	0	SHR							gouge filled shear 10° to c.a.
A	2416	0	2418	0								broken core, shrd w/ gouge up. cnt 55° to c.a.
S			2512	0	SZ				38	2110		

RECHECK BOTTOM OF HOLE FOR FAINT CS4

CYPRUS ANVIL MINING CORPORATION

DIAMOND DRILL CORE LOG

133

Hole Number: 81-06

Fabric Orientation Diagram:

Project: ZONE 3

Location: PIT DRILLING

Claim: _____

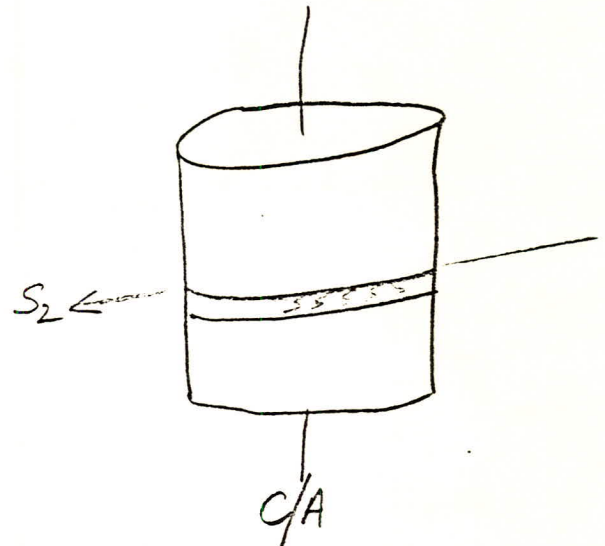
Terr. Plane Co-ords.: _____ N

_____ E

Grid Co-ords.: 7,296.57 N

15508.86 E

Elevation: 4010.48



All symmetry determinations looking

NW with S_2 dipping

SW with dip azimuth 210.

Total Depth: 273.0

Purpose: _____

Logged by: JWM

Date(s) Logged: _____

Drilling Contractor: A.D.D.

Core:	Size	From	To	Collar Cased and Capped:
<u>NO</u>	<u>COLLAR</u>	<u>273.0</u>		<u>NO</u>
_____	_____	_____	_____	_____
_____	_____	_____	_____	_____

Started: _____ Completed: _____

All sampled for met/assay

Code	From'	To	Unit	Code	Description
1	10	14	16	20	
L	100	1162	01	F1	TRICONED - NO CORE
L	1462	1480	02	1D2	conglomerate
L	1480	1510	03	1D4	locally to 150 as unit unit =
					S ₂ , fine sand 14-20% siliceous
					S ₂ ; siliceous pyroclastic
L	1510	1573	04	2D0	matrix interbedded of
L	1573	1630	05	2D4B → 2E1	Silica rich 2E
L	1630	1690	06	1D0	(2E4, 2A4) fault gouge fragments
					of 2E, fuschite also S ₂ some
					fragments of 2A also in interval
L	1690	1737	07	2D0	brecciated interval
					108-128' - 9' REC.
L	1737	1800	08	2E4	locally con. 2E
L	1800	1828	09	2F0	core locality
					gouge
					2E 6' / 100' ↓
					disturbance down
					at 1000'?
L	1828	1841	10	2E47	matrix 2E
L	1841	1849	11	2E4(2F4)	generally partially brecciated
					throughout unit, core like sand,
					brecciation increasing towards end
					of interval, matrix increasingly basaltic
					+ silica rich towards end of interval.
					locally to (2F4) throughout
L	1849	1891	12	2A0	graphitic gouge / brecciated 2A
					50:50 hanging wall zone - 59'
					lower contact not dist.
L	1891	1859	13	2A0	brecciated hit not to some
					extent as unit 12
L	1859	1874	14	2A0	fine ct breccia fine grained
					fragments similar to unit 12
					upper - lower contact - 11 S ₂
L	1874	1877	15	2A4	low grade
L	1877	1896	16	2A0	brecciated as in unit 14, coarse
					fragments

Structural Log

Date: 8 Nov 82 Logged By: RST/DST

Code	From		To		Feature	SYR	S ₀		S ₁		S ₂		Description		
	10	14	16	20			22	24	26	28	Dip Direct.	Dip Direct.		Dip Direct.	32
S	462			2260	CS4Z								CS4 consistent w/ overall "Z" long limb		
S				480	CS2						79	210	S ₂		
S	462			11870									broken core & fault gouge w/ poor recy throughout		
S				580	CS4Z		80	000			30	210	S ₀ = S ₂ S ₄		
S	670			680									poor recy		
S				810	CS4Z		75	000			30	210	S ₀ = S ₂		
S				980	PS2						50	210	S ₂		
S				1080	PS2						70	210	S ₂		
S				1460	PS2						62	210	S ₂		
S				1550	PS2						60	210	S ₂		
S				1580	PS2						70	210	S ₂		
S	1580			1890	FLT								blia of gouge zone - major fault zone, upper/lower		
S				1915	CS4Z		52	000			15	210	IND note S ₂ steepens below fault		
S				1930	PS2						25	210	S ₂		
S	2090			2110	FLT								blen core & gouge		
S				2130	CS4Z		75	000			30	210	S ₀ = S ₂ S ₄		
S				222	PS2						55	210	S ₂		
S	2260			2290	CS4S								CS4 consistent w/ short "S" symm. limb of overall "Z" F ₁		
S				2270	CS4S		10	180			35	210	S ₀ = S ₂		
S				2410	CS4Z		65	000			25	210	S ₀ = S ₂ ; 1" horiz gouge @ 2410'		
S	2510			2565	FLT								major fault w/ massive gouge devel'd; upper contact IND lower contact 50° to c.o.		
S				2580	CS4Z		70	000			35	210	IND rel S ₂		
S				2720	CS4Z		80	000			35	210	S ₀ = S ₂		



CYPRUS ANVIL MINING CORPORATION

DIAMOND DRILL CORE LOG

133

Hole Number: 81-07

Fabric Orientation Diagram:

Project: PIT DRILLING

Location: ZONE 3

Claim: _____

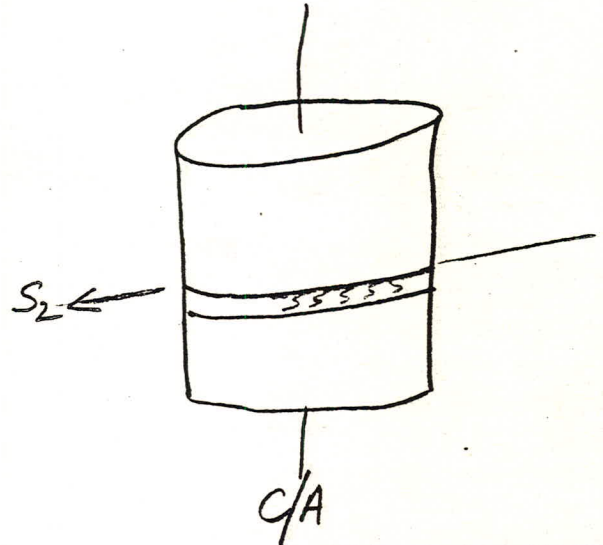
Terr. Plane Co-ords.: _____ N

_____ E

Grid Co-ords.: 7,402.48 N

15,604.09 E

Elevation: 4009.75



All symmetry determinations looking

NW with S₂ dipping

SW with dip azimuth 210.

Total Depth: 190.0

Purpose: _____

Logged by: JWM

Date(s) Logged: _____

Drilling Contractor: A.D.D. Core: Size From To Collar Cased and Capped: NO

NA COLLAR 190.0

Started: _____ Completed: _____

DDH 81-07
2 8

Diamond Drill Core Log Date: _____ Logged By: _____

Code	Drillhole	Elevation	Northing	Easting	Units (feet/metres)	R.F.E
I	2	8 10	16 17	24 25	32 34	39 41 42
T	81-07	4009.75	7402.48	15604.09	Feet	52

S₂ = 210
 S₄ = 210

Code	Drillhole	Depth	Zenith Angle	True Azimuth	Comments
I	2	8 10 14 22	26 28	32 34	56
R	81-07	100	180.0	090.0	AT COLLAR
R	81-07	1000	178.9	091.0	AZIMUTHS OF THIS HOLE NOT MEASURED; ESTIMATED FROM SURROUNDING HOLES NOV 1982
R	81-07	100	180.0	090.0	AT COLLAR
R	81-07	1000	177.2	090.0	A+Z FAKED

Code	Drillhole	Comments, Errant Remarks, Snivellings and / or Lewd Suggestions
I	2	8 10
		A

Code	From		To		Unit	Code	Description	FEET.
	10	14	16	20				
L	100		1476		01	1A	TRICONED - NO CORE	
L	1476		1530		02	1D10	→ 1D4	48-58 2' REC.
L	1530		1610		03	2E1	2C2 - Buzziated fragments of 2E in dirty siliceous matrix	
L	1610		1760		04	2A1	2C0 with graphite	
L	1760		1780		05	2E1	As in unit 03, increase in quartz overall.	
L	1780		1877		06	2C2	→ 2E1 locally, as in unit 03	
L	1877		1960		07	2C10	Fault breccia - mostly silica fragments in a dirty siliceous matrix, lower fault contact 30° to CA	
L	1960		1103		08	2A10		
L	1103		1106		09	1D0	12A0 Fault gouge. no fault contacts	
L	1106		1118		10	1D4		
L	1118		1126.5		11	1D0		
L	1126.5		1132		12	1D10	Fault gouge contacts not obs.	
L	1132		1140.7		13	1C10		
L	1140.7		1142		14	1C10	Fault gouge	
L	1142		1190		15	1C0	good 1C, some bluish andalusite kyanite?	
							00 1D0	
							Fault at 126.5-132.0 may have significant vertical movement because of chaotic change in lith.	
							EDH.	
							476-190.0 = 142.9 -7.6	
							58' REC. in this hole ≈ 33%	
							THIS IS UNACCEPTABLE!	

DDH 81-07
2 8

Cyprus Anvil Mining Corp.

Page 4 of 5

Structural Log

Date: Nov 4/82 Logged By: PST / YD

Code	From				To				Feature	SYM	S ₀		S ₁		S ₂		Description
	10	14	16	20	22	24	26	28			Dip	Direct.	Dip	Direct.	Dip	Direct.	
\$	147	6	1080														L 20 ft Recovery = 33%
S			1480		S12								72	210		From Jwms Log	
S			1676		S12								05	210		" " " } F4	
S			1760		S12								23	210		" " " } Fold?	
S			1960		S12								68	210		" " "	
\$	1080		11600														Highly Bkn and Rubbled exp
\$																	32 ft Recovery
S			11110		C1S14Z	510	180						50	210		S ₀ = S ₂ S ₁ 52 → S ₄	
\$			11200														2 ft of Gouge
S			11390		C1S14Z	85	180						50	210		S ₀ = S ₂	
S			11590		FRC								30	0110	50	S ₁ = FRC	
S			11750		C1S14Z	60	170						45	210		S ₀ = S ₂	

