

FARRO

SEC. 134

SEC. 135

1982

ZONE 2

00

00

50

1

0

CYPRUS ANVIL MINING CORPORATION

DIAMOND DRILL CORE LOG

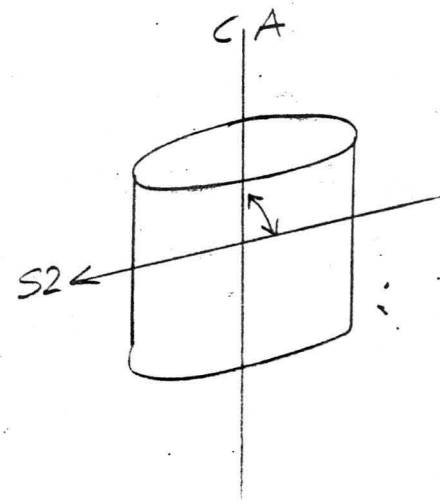
134

Hole Number: 66-E8

Fabric Orientation Diagram:

Project: RE-LOGGING

Location: ZONE 3



Claim: _____

Terr. Plane Co-ords.: _____ N

_____ E

Grid Co-ords.: 7141.0

15619.0

Elevation: 4012.0

All symmetry determinations looking

NW with S2 dipping

S.W with dip azimuth 210.

Total Depth: 370.5'

Purpose: _____

Logged by: _____

Date(s) Logged: _____

Drilling Contractor: _____

Core:	Size	From	To	Collar Cased and Capped:
_____	_____	_____	_____	_____
_____	_____	_____	_____	_____
_____	_____	_____	_____	_____

Started: _____ Completed: _____

DDH 66E-8
 2 _____ 8

Diamond Drill Core Log

Date: _____ Logged By: _____

Code	Drillhole	Elevation	Northing	Easting	Units (feet/metres)	R.F.E.						
1	2	8	10	16	17	24	25	32	34	39	41	42
T	66E-8	4012.0	7141.0	115619.0	Feet	52						

S₂ = 210
 S₄ = 3210

Code	Drillhole	Depth	Zenith Angle	True Azimuth	Comments					
1	2	8	10	14	22	26	28	32	34	56
	66E-8	00	178.9	091.0	AT COLLAR					
	66E-8	1000	178.3	091.0	AZIMUTHS OF THIS HOLE					
	66E-8	2000	177.1	091.0	NOT MEASURED					
	66E-8	3000	176.0	096.0	ESTIMATED FROM SURROUND					
					ING HOLES NOV 1982					
	66E-8	00	180.0	090.0	AT COLLAR					
	66E-8	1000	177.2	090.0	A+3 FAKED					
	66E-8	2000	175.4	090.0						
	66E-8	3000	174.2	090.0						

Code	Drillhole	Comments, Errant Remarks, Snivellings and / or Lewd Suggestions		
1	2	8	10	56
		A		

Structural Log

Code	From		To		Feature	S ₀ ²		S ₁ ¹		S ₂ ⁴		Description
	10	14	16	20		Dip	Direct.	Dip	Direct.	Dip	Direct.	
		440		470	FLIT							gouge IND
				525	CS42	8.5	180			25	210	S ₀ is S ₂ S ₄ 1" gouge zone also. S ₂ → S ₄
		560		570	FLIT							3rd & gouge lower IND
												upper 35/270 w/ S ₂ S ₄ → S ₂
												S ₂ = 70/210 here
				735	CS42	0.5	180			45	210	S ₀ is S ₂ S ₄ → S ₄
		770		780								gouge & box IND
				830	CS42	8.5	180			30	210	S ₀ is S ₂
				915	CS42	8.5	0.0			35	210	"
				1120	CS42	8.0	0.0			40	210	"
				1310	CS42	5.5	0.0			30	210	"
		1360		1520	CS45							CS ₄ S region on short limb of overall Z shaped Fy
				1410	CS45	0.0	0.0			40	210	S ₀ is S ₂
				1710	CS42	8.5	180			30	210	"
				1810	CS42	7.5	180			25	210	"
				2040	CS42	8.5	0.0			35	210	"
				2210	CS45	1.5	180			35	210	" reading on short limb of Fy 2 w/ S ₂ S ₄
				2380	CS42	6.2	180			48	210	"
		2540		2720	FLIT							broken core & gouge through recovery reasonable. upper / lower = IND internal gouge is steep. ⇒ Fault ~ 15° to CA. 10-15°/100 w/ S ₂
				2815	CS42	7.0	180			20	210	S ₀ is S ₂
				2930	CS42	5.0	180			15	210	S ₀ = S ₂
		2970		3170	FLIT							broken core & gouge upper - lower = IND - relations near lower contact suggest steep fault - good recovery
				3240	CS42	8.0	180			40	210	S ₀ is S ₂
				3360	CS42	6.0	180			35	210	"
				3455	CS42	3.0	180			38	210	"
				3590	CS42	0.5	180			60	210	" readings on S short limb

CYPRUS ANVIL MINING CORPORATION

DIAMOND DRILL CORE LOG

134

Hole Number: 6555

Fabric Orientation Diagram:

Project: Zone 1 Defo

Location: _____

Claim: _____

Terr. Plane Co-ords.: _____ N

_____ E

Grid Co-ords.: 7035.29 N

15,525.74 E

Elevation: 40094' (Mine)

All symmetry determinations looking
NW with S₂ dipping
SW with dip azimuth 210°.

Total Depth: 233

Purpose: Zone 3 Defo

Logged by: _____ Date(s) Logged: 1AN/78

Drilling Contractor: _____ Core: Size From To Collar Cased and Capped: _____

MAX 0 504

Started: _____ Completed: _____

DDH 65-55
2 8

Diamond Drill Core Log

Date: _____ Logged By: _____

Code	Drillhole	Elevation	Northing	Easting	Units (feet/metres)	R.F.E.
T	65-55	4109.4	17035.29	15525.74	Feet	S2

S₂ = 210
 S₄ = 210

Code	Drillhole	Depth	Zenith Angle	True Azimuth	Comments
1	65-55	0000	180.0	090.0	A.T. COLLAR
					AZIMUTHS OF THIS HOLE
					NOT MEASURED
					ESTIMATED FROM SURROUND
					ING HOLES NOV 1982
	R65-55	0000	180.0	090.0	A.T. COLLAR
	R65-55	1000	177.2	090.0	A+Z FAKED
	R65-55	2000	175.4	090.0	

Code	Drillhole	Comments, Errant Remarks, Snivellings and / or Lewd Suggestions
1	2	A

Structural Log

Date: 22 Nov 83 Logged By: GAT

Code	From		To		Feature	SYM	S ₀		S ₁		S ₂		Description
	10	14 16	20 22	24 26			28	Dip	Direct.	Dip	Direct.	Dip	
S			112		CS42						30	210	<p>S₄</p> <p>S₃ dips steeply on local steep limbs to F₄'s - mixed symmetry below that - above 190 is <u>all</u> long limb.</p> <p>Core badly preserved so not sure what overall situation is at bottom of hole - at least are getting close to a hinge region if not actually passing through it.</p> <p>See PC log for P₂</p> <p>No major gorges in hole - core v. broken ably jumbled & messy above 85' not sure this bedrock - Box 2 is missing</p>
S			119		CS42						26	210	
S			129		CS42						30	210	
S			139		CS42						35	210	
S			148		CS42						30	210	
S			171		CS42						30	210	
S			180		CS42						30	210	
S			185		CS42						20	210	
S			204		CS45						27	210	
S			208		CS45						30	210	
S			214		CS42						45	210	
S			218		CS45						35	210	
S			229		CS42						30	210	
S			230		CS45						30	210	
S	198		210										

134

CYPRUS ANVIL MINING CORPORATION

Page 1 of

DIAMOND DRILL CORE LOG

Date: 5 Jan. 83

Hole Number: 71-216

Reference Fabric Orientation Diagram:

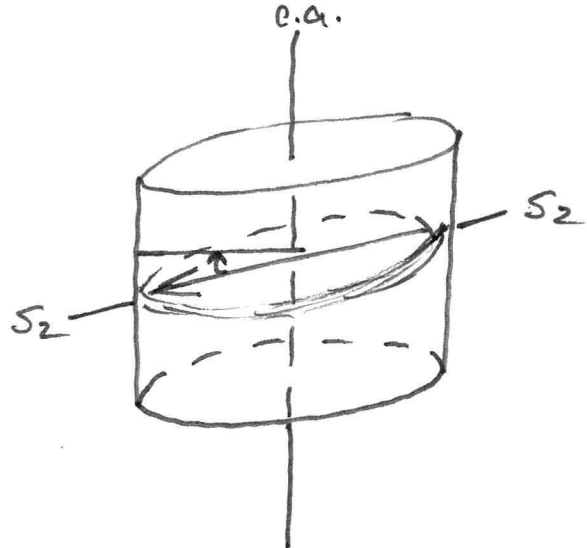
Project: Faro Deposit

Location: 105K-6

Claim: _____

Terr. Plane Co-ords.: Not Surveyed N
E

Grid Co-ords: Center Base Line
33W (Faro Grid)



Elevation: Not Surveyed

All symmetry determinations looking

Total Depth: 300'

NW with S2 dipping

Purpose: Test area around 71-210

SW with dip azimuth 210.

Reason hole Terminated: F/W encountered

Logged by: U. Jansons

Date(s) Logged: December 1971

Drilling Contractor: Arctic

Size	CORE From	To	Collar Cased and Capped:
<u>BQ</u>	<u>0</u>	<u>300'</u>	<u>No</u>
_____	_____	_____	_____
_____	_____	_____	_____

Hole Cemented: No

Steel down hole: No

Started: 13 Dec, 71 Completed: 18 Dec 71

DDH 71-216
 2 Feet 8

Cyprus Anvil Mining Corp.

Page _____ of _____

Lithologic Log

Date: _____ Logged By: U.J. (DST)

Code	From	To	Recov.	No.	Unit	Description					
	10	14	16	20	22	24	26	28	30	34	35
L	00	410		1	#	O/B					
L	410	440		2	2CO	? 4" recd.; "qtzitic & sericitic pebbles w/ some being mass. sulfs. shatters rptd. several ft. of blk. cuttings - would not core"					
L	440	555		3	1DH	≈ 1' recd.; "punkky, clayey sericitic mud & qtz-bio. schist"					
L	555	590		4	1DO	? ; ≈ 6" recd.; "bio-ser. schist"					
L	590	620		5	1DH	? ; ≈ 2' recd.; "ser-bio schist w/ 4" gylite bands" - 2-25% sulfs py = 0% w/ gylite bands & 11.52" ; [22124] or 210 (2CO)					
L	620	720		6	1DH	[22124] a.f. #5; "qtz-ser-gylite schist grading to bio. schist w/ gylite bands, sulfs. 5-15% w/ gylite ≈ 90% py + gal? + sphal?"					
						N.B.: Above descriptions from Uldis Jansson's 1971 notes w/ interpretation by D.S. Jennings					
L	720	830		7	1CDO	bio-ser. schist					
L	830	860		8	1DH	bio-ser. schist - sulphides in gylite bands avc. 3% py up to 10% [2212]??					
L	860	1460		9	1CDO	variably bio or musc with 2 mica schists - prob. 1CD					
L	1460	1700		10	1CDO	Fault; "clay zone w/ qtz. pebbles 2' recd."					
L	1700	2115		11	1CDO						
L	2115	2215		12	10E2						
L	2215	2320		13	1CDH						
L	2320	2350		14	10E2						
L	2350	2375		15	1CDH						
L	2375	2395		16	10E2						

DDH 21-216
² Feet ⁸

Cyprus Anvil Mining Corp.

Page _____ of _____

Structural Log

Date: 5 Jan 83 Logged By: U. J. (DSJ)

Code	From				To				Feature	S ₀ Dip Direct.	S ₁ Dip Direct.	S ₂		Description
	10	14	16	20	22	24	26	28				32	34	
S				600								75	210	
S				700								75		
S		720		755										Gyriated
S				780								25		
S				870								45		
S				1040								75		
S				1190								70		
S				1520								45		
S		1460		1700										Fault
S				1860								60		
S				1920								45		
S		1880		1905										"highly contorted"
S		1935		2115										" "
S				2520								60		
S				2710								60		
S				2830								63		
S				2800								70		

Replot ~~of~~ hole

134

CYPRUS ANVIL MINING CORPORATION

Page 1 of 4

66E-02 DIAMOND DRILL CORE LOG

Date: _____

Hole Number: ~~66E2~~

Reference Fabric Orientation Diagram:

Project: FARO

Location: ZONE III

Claim: _____

^{NIVE}
Tern. Plane
Co-ords.: 7389.80 N

15,825.10 E

Grid
Co-ords: _____

All symmetry determinations looking

Elevation: 4009.00

_____ with _____ dipping

Total Depth: 423'

_____ with dip azimuth _____.

Purpose: _____

Reason hole
Terminated: _____

Logged by: _____

Date(s) Logged: _____

Drilling
Contractor: _____

Size	CORE From	To	Collar Cased and Capped: _____
<u>NO</u>	<u>0</u>	<u>EOH</u>	
_____	_____	_____	
_____	_____	_____	

Hole
Cemented: _____

Steel down
hole: _____

Started: _____ Completed: _____

66E-02
 DDH 66-E-2
 2 8

Cyprus Anvil Mining Corp.

Page 2 of 4

Diamond Drill Core Log

Date: _____ Logged By: _____

Code	Drillhole	Elevation	Northing	Easting	Units (feet/metres)	R.F.E						
1	2	8	10	16	17	24	25	32	34	39	41	42
T	66-E-2	4009.00	7389.80	15825.10	Feet	SZ						

S₂ = 210
 S₄ = 210

Code	Drillhole	Depth	Zenith Angle	True Azimuth	Comments					
1	2	8	10	14	22	26	28	32	34	56
	66E-02	00	180.0	60.0	AT COLLAR ESTIMATED AZIMUTH					
	R66E-02	00	180.0	090.0	AT COLLAR					
	R66E-02	1000	177.2	090.0	A+Z FAKED					
	R66E-02	2000	175.4	090.0						
	R66E-02	3000	174.2	090.0						
	R66E-02	4000	172.2	090.0						
	R66E-02	000	135.0	020.0						

Code	Drillhole	Comments, Errant Remarks, Snivellings and / or Lewd Suggestions		
1	2	8	10	56

DDH 66-15-22
2 8

Cyprus Anvil Mining Corp.

Page 3 of 4

Lithologic Log

Date: Nov. 19/81 Logged By: PN

Code	From				To				Recov.	No.	Unit	Description
	10	14	16	20	22	24	26	28				
L		100		410						001		o/b
L		410		940						0102	1CD0	bxia 65.8-66.7'; } its attitudes 77.8-78.9'; } unknown
L		940		1060						003	1CD10	bxia;
L		1060		1120						004	1D14)
L		1120		2060						005	1CD	oppo 201.0-202.3';
L		2060		2250						006	1CD	grape;
L		2250		3493						007	1CD	grape 241.0-241.3'; oppo 243.3- 274.0'; grape 274.0-274.4' (no att. cts); variably chly
L		3493		3532						008	1CD	bxia
L		3532		3552						009	1CD	grape
L		3552		4230						010	1CD0	near i bt ↓ EOH; gradual change to D4 ↓ D0 rather than 1CD @ EOH;
				EOH								

Structural Log

Date: Nov. 11/80 RE Logged By: RJ

Code	From		To		Feature	S ₁		S ₂		Description
	10	14	16	20		Dip	Direct.	Dip	Direct.	
			73		PSZ			68	210	S ₂
			81.0		CS4Z			22	210	S ₂ →S ₄
			83		PSZ			58	210	S ₄ →S ₂
			106		PSZ			65	210	
			114		CS4Z			62	210	S ₂ ≈ // CAS/w/ M regions ± fold axes 114.3 117.6' ↓
			120		PSZ			70	210	S ₄ →S ₂
			140		PSZ			71	210	
										M regions ± fold axes 145.5 - 152.0'
			160		PSZ			70	210	
			161		CS4Z			68	210	S ₂ →S ₄
			171		CSZS			65	210	S ₄ →S ₂
			231		PSZ			65	210	
			267		PSZ			54	210	
			281		PSZ			77	210	
			313		PSZ			57	210	
			337		PSZ			60	210	
			357		PSZ			56	210	
			376		PSZ			44	210	
			410		PSZ			63	210	
			End							

DIAMOND DRILL CORE LOG

Date: July 17/82

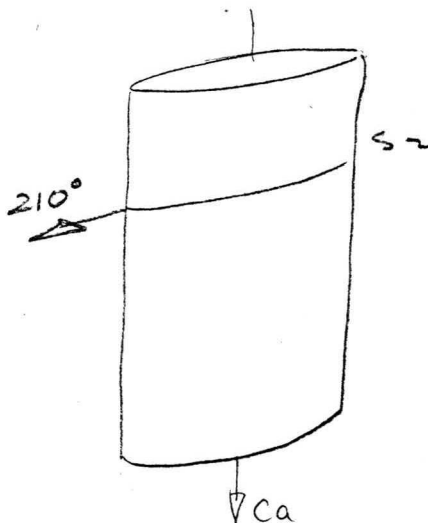
Hole Number: FA 82 F-18
FAF 82 18

Reference Fabric Orientation Diagram:

Project: '82 ZONE II Drill Program

Location: FARO ZONE II

Claim: _____



MINE Terr. Plane
Co-ords.: 5062.36 N

15928.37 E

Grid
Co-ords: 146 EAST

9 NORTH

Elevation: 3850.12 feet.

Total Depth: 157.0 feet

Purpose: TO test SE extension of Zone II

Reason hole Terminated: Thru' proposed ore interval

Logged by: PST

Date(s) Logged: _____

Drilling Contractor: Arctic Diamond Drilling

Size	CORE From	To	Collar Cased and Capped:
<u>NQ</u>	<u>22</u>	<u>157.0</u>	<u>No</u>
_____	_____	_____	_____
_____	_____	_____	_____

Hole Cemented: No

Steel down hole: No

Started: _____ Completed: _____

82 F 18

DDH F.A.F. 8218
2

Cyprus Anvil Mining Corp.

Page 3 of 3

Zone II⁸

Lithologic Log

Date: July 17

Logged By: RT

feet

Code	From		To		Recov.		No.		Unit	Description
	10	14	16	20	22	24	26	28		
L		100		220					1 *	Overburden and casing core starts @ 27'
L		220		370		50			2 ID	
L		370		470		10			3 IE	Sheared and gouge - no sulphides.
L		470		590		30			4 ID	(10E) 10E frags and mica gouge
L		590		1570		450			5 10E	Biotite diorite. Oxidised weakly chloritised 59-78. Broken gouged upper contact. Relatively fresh but highly broken to 107. white Clay altered gouged to 158? Broken fresh 147-157, but mismatched
										End of Hole @ 157'

DIAMOND DRILL CORE LOG

Date: Aug 8 / 82

Hole Number: FA# 82F22

Reference Fabric Orientation Diagram:

Project: 1982 FARO DRILL PROGRAM

Location: ZONE II

Claim: _____

MINE ~~Ferr. Plane~~ Co-ords.: 5158.43 N

14959.66 E

Grid Co-ords: 140.5 EAST

4.7 NORTH

Elevation: 4022.52 feet.

Total Depth: 377.0 feet.

Purpose: To test south extension of Zone II

Reason hole Terminated: Thru' ore zone into footwall.

Logged by: [Signature]

Date(s) Logged: _____

Drilling Contractor: Arctic Diamond Drilling

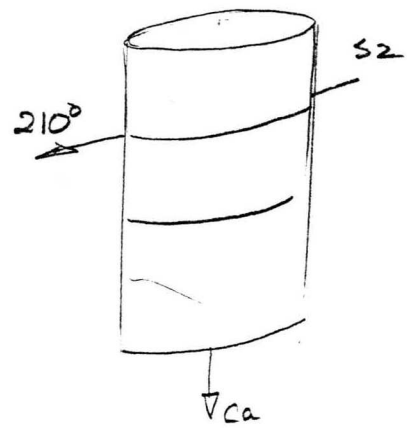
Size	CORE From	To
BQ	167'	377'

Collar Cased and Capped: No

Hole Cemented: No

Steel down hole: No

Started: _____ Completed: _____



note changes of ref. fab. element on p. 4

All symmetry determinations looking

NW with S2 dipping

SW with dip azimuth 210. S4 dip azimuth 200

B2 F22

DDH F.A.F. 82, 22

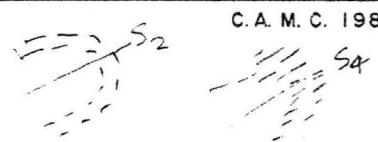
Cyprus Anvil Mining Corp.

Lithologic Log

Date: 06/08/82 Logged By: R.T.

Feet

Code	From	To	Recov.	No.	Unit	Description
	10 14 16 20 22 24 26 28 30 34 35					
L	10 0	11 4 5 0		1	*	waste dump
L	11 4 5 0	11 6 7 0		2	*	overburden
L	11 6 7 0	12 5 3 0		3	11D01	(302) 3D possibly relic 5D as is chloritic & biotitic bands these bands strgly calcareous "gouges" @ 193.5-195.0 sub parallel to core axis @ 252.0 → 253.0 shear zone 30° c.a.
L	12 5 3 0	12 9 2 0		4	11D01	265.0 fracture 20° to c.a.,
L	12 9 2 0	13 0 0 0		5	11D01	(1E0) "Gouge" 50%
L	13 0 0 0	13 1 1 6 5		6	11D01	(104) shear & gouge @ 302.0 → 304.0 & 308.5 → 309.0 shear & gouge.
L	13 1 1 6 5	13 1 1 9 5		7	11E10	(100) poor 1E carbonaceous not graphitic 318.5 → 319.5 shear,
L	13 1 1 9 5	13 2 4 8		8	11D01	(104) last half 104
L	13 2 4 8	13 2 8 8		9	121C5	unit bxtd with cataclasite ttr
L	13 2 8 8	13 3 0 5		10	121E114	qtz dots in sulph mtrx
L	13 3 0 5	13 3 3 2		11	121C01	marginal to ZD
L	13 3 3 2	13 3 5 5		12	121E01	(200) 2E "uggy", ZD towards end of unit (0/40)
L	13 3 5 5	13 4 0 5		13	121A10	well frtd,
L	13 4 0 5	13 4 2 2		14	121L01	
L	13 4 2 2	13 4 3 4		15	121E11	qtz frags in sulphide mtrx
L	13 4 3 4	13 4 7 2		16	121D01	
L	13 4 7 2	13 5 1 2		17	121C01	(020) highly broken, poor recovery
L	13 5 1 2	13 5 6 0		18	11D14	[2L0]
L	13 5 6 0	13 7 7 0		19	11C4D1	±4 fracture 20° c.a @ 366'
						EOH



DDH 82 F22
F.A.F. 0.2.2.2
 2 8

Cyprus Anvil Mining Corp.
 Structural Log

Page 4 of 5

Date: 07/08/82 Logged By: R.T

Ref tab
 change
 NB

Code	From				To				Feature	S ₀ Dip Direct.	S ₁ Dip Direct.	S ₂		Description
	10	14	16	20	22	24	26	28				32	34	
S	116	70	119	135	PIS12							710	2110	
\$	119	135	119	150										gouge & shear ↓ to core axis cuts core @ 210°
S			1210	180	PIS12							615	2110	h ₂ azm 210
S			1212	160	PIS12							610	2110	
S			1214	170						710	31510	410	21010	S ₂ → S ₄
S	1215	120	1215	130	S141R	315	0810					615	2110	S ₀ = shear direction S ₄ → S ₂
S			1218	130	PIS12							615	2110	
\$	1219	120	1310	190										gouge & shear zone 50° "gouge"
S			1311	130	PIS12							615	2110	
S			1315	180								415	21010	S ₂ → S ₄
\$	1316	140	1317	170										healed fractures permeate core EOP

DIAMOND DRILL CORE LOG

Date: Aug 18/82

Hole Number: ~~FAF 82 23~~ FAB2 F23

Reference Fabric Orientation Diagram:

Project: 1982 Faro Drill Program

Location: Zone II

Claim:

Terr. Plane Co-ords.: ~~5437.54~~ 5158.43 N

~~14912.27~~ 14959.66 E

Grid Co-ords: 139 East

6 North

Elevation: 4012.51 feet

Total Depth: 336.0 feet

Purpose: To test SW extension of Zone II

Reason hole Terminated:

Logged by: RST

Date(s) Logged:

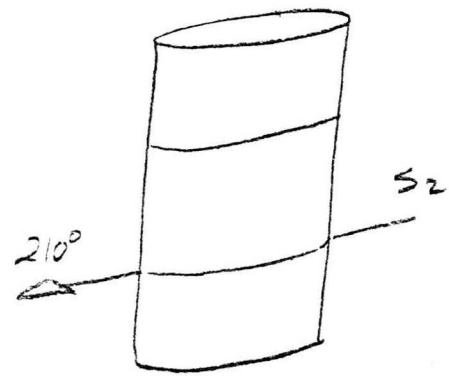
Drilling Contractor: Arctic Diamond Drilling

Size	CORE From	To	Collar Cased and Capped:
NQ	110.5'	336.0'	No

Hole Cemented: No

Steel down hole: No

Started: Completed:



All symmetry determinations looking

NW with S2 dipping

SW with dip azimuth 210°.

DIAMOND DRILL CORE LOG

Date: Aug 18/82

Hole Number: 82F21
FAF82-21

Reference Fabric Orientation Diagram:

Project: 1982 FARO DRILL PROGRAM

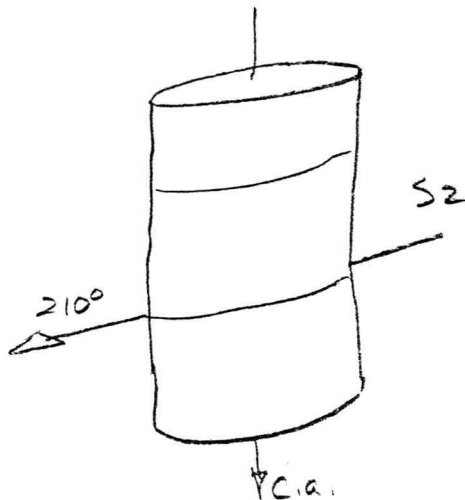
Location: Zone II

Claim: _____

Terr. Plane Co-ords.: 4966.81 N

15825.88 E

Grid Co-ords: _____



Elevation: 3845.27 feet

All symmetry determinations looking

NW with S2 dipping

Total Depth: 172.0 feet

SW with dip azimuth 210.

Purpose: To test southeast extension of Zone II

Reason hole Terminated: Thin potential ore interval into footwall rocks.

Logged by: RST

Date(s) Logged: _____

Drilling Contractor: Arctic Diamond Drilling

Size	CORE From	To	Collar Cased and Capped: <u>No</u>
<u>NQ</u>	<u>22.5'</u>	<u>172.0</u>	
_____	_____	_____	
_____	_____	_____	

Hole Cemented: No

Steel down hole: No

Started: _____ Completed: _____

DIAMOND DRILL CORE LOG

Date: Aug 18/82

Hole Number: 82 F20
TAF 82-20

Reference Fabric Orientation Diagram:

Project: 1982 FARD DRILL PROGRAM

Location: ZONE II

Claim: _____

MINE Terr. Plane
Co-ords.: 4957.50 N

15623.65 E

Grid
Co-ords: 145 East

7 North

Elevation: 3851.14 feet.

Total Depth: 220.0 feet

Purpose: To test SE extension of Zone II

Reason hole
Terminated: Drilled thru' potential ore zone.

Logged by: RST Date(s) Logged: _____

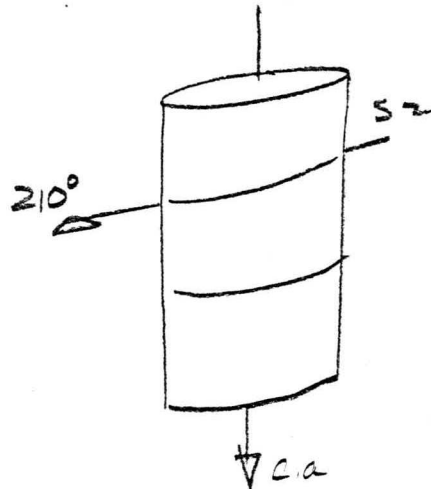
Drilling
Contractor: AROTIC DIAMOND DRILLING

Size	CORE From	To	Collar Cased and Capped:
<u>NQ</u>	<u>32'</u>	<u>220'</u>	<u>No</u>

Hole
Cemented: No

Steel down
hole: No

Started: _____ Completed: _____



All symmetry determinations looking

NW with S2 dipping

SW with dip azimuth 210°.

DDH F.A.E.8220
 2 8

82F20

Cyprus Anvil Mining Corp.

Page 3 of 3

Lithologic Log

Date: 18/08/82

Logged By: R.S.T

Code	From				To				Recov.	No.	Unit	Description
	10	14	16	20	22	24	26	28				
L	100	133	2							1*	overburden	
L	133	2	610	0						2	10E91	highly altd to 41.0 clay crumbly, 41.0 → 60.0 less altd more competent
L	1610	0	192	0						3	10E1	short intervals highly crumbly well altd
L	192	0	115	5						4	10E91	-becoming more highly altd at last half of interval gouge
L	115	5	124	0						5	1C1	121.5 → 124.0 gouged & rust stained
	124	0	145	0						6	10E1	crumbly, broken with locally poor recovery
L	145		179	0						7	11C1D1	more dark andalusite clots, 166.0 → 168.0 gouge
L	179	0	206	0						8	11C1D1A	brown buff tan colour, sericitic with pink colour on foliation plane possible K-spar altn, 202.0 → 203.0 "gouge"
L	206	0	221	0						9	11C1	E.O.H

DIAMOND DRILL CORE LOG

Date: Aug 18 82

Hole Number: F118219 FA82F19

Reference Fabric Orientation Diagram:

Project: 1982 F1182 DRILL PROGRAM

Location: ZONE II

Claim: _____

MINE ~~Terr. Plane~~ Co-ords.: 4953.57 N

15428.57 E

Grid Co-ords: 144 EAST

6 NORTH

Elevation: 3872.15

Total Depth: 230 feet.

Purpose: TO test SE extension of Zone II

Reason hole Terminated: _____

Logged by: RST

Date(s) Logged: _____

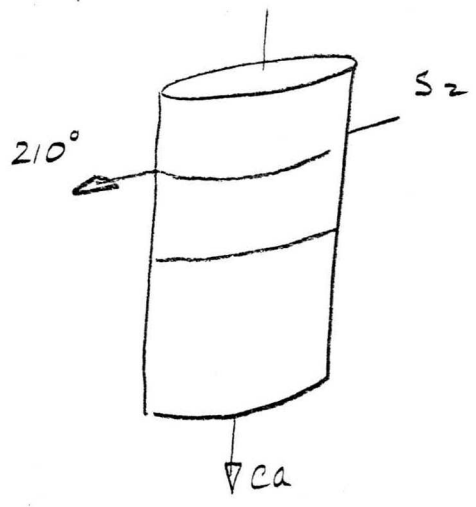
Drilling Contractor: Archie Diamond Drilling

Size	CORE From	To	Collar Cased and Capped:
<u>NQ</u>	<u>57'</u>	<u>230'</u>	<u>No</u>
_____	_____	_____	_____
_____	_____	_____	_____

Hole Cemented: No

Steel down hole: No

Started: _____ Completed: _____



All symmetry determinations looking

NW with S2 dipping

SW with dip azimuth 210°.

Lithologic Log

Date: 18/08/82 Logged By: R.S.T.

Code	From					To					Recov.	No.	Unit	Description
	10	14	16	20	22	24	26	28	30	34				
L	10	0	15	7	0							1	*	overburden
L	15	7	0	12	7	0						2	10E	57.0 → 94.0 well broken, poor recovery, highly fract. 94.0 → 120.0 competent 10E, gouge @ 96.5 0.2", & 105.0 also 0.2" 120.0 → 127.0 highly weathered gouge c.t. zone
L	12	7	0	13	6	0						3	11D	
L	13	6	0	14	1	5						4	10E	gouge @ upper c.t., gouge & qtz lower c.t.
L	14	1	5	17	0	0						5	11D	
L	17	0	0	20	7	5						6	11C	
L	20	7	5	21	2	0						7	11H	
L	21	2	0	22	4	9	0					8	10E	
	22	4	9	23	0	0						9	11H	E.O.H.

CYPRUS ANVIL MINING CORPORATION

Page 1 of 5

FAB2F24 DIAMOND DRILL CORE LOG

Date: Aug 6 / 82

Hole Number: ~~FAB 82 F 24~~
~~82 F 24~~
~~FAB 82 F 24~~

Reference Fabric Orientation Diagram:

Project: 1982 FARO DRILL PROGRAM

Location: ZONE II / III

Claim: _____

MINE Terr. Plane Co-ords.: 6646.43 N

15322.03 E

Grid Co-ords: 135 EAST

13 NORTH

Elevation: 4007.43 feet.

Total Depth: 127.0 feet.

Purpose: To test near surface ore zone.

Reason hole Terminated: Drilled thru' sulfides into footwall.

Logged by: [Signature]

Date(s) Logged: _____

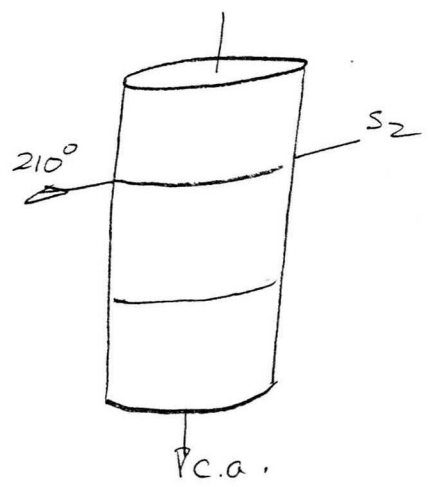
Drilling Contractor: ARCTIC DIAMOND DRILLING

Size	CORE From	To	Collar Cased and Capped:
NQ	32'	127'	No
_____	_____	_____	_____
_____	_____	_____	_____

Hole Cemented: No

Steel down hole: No

Started: _____ Completed: _____



All symmetry determinations looking
 NW with S2 dipping S4 dip azimuth 200°
 SW with dip azimuth 210.

DDH F.A. F. 8224
 2 8

Cyprus Anvil Mining Corp.

Page 4 of 5

Structural Log

Date: 6/08/82 Logged By: R.T. *nb ref fab change*

*Bob Rolph
PH 1/9/82*

Lithology	From		To	Feature	E/S	S ₀		S ₁		S ₂		Description		
	Dip	Direct.				Dip	Direct.	Dip	Direct.					
	10	14	16	20	22	24	26	28	32	34	38	40	44	
S	13	90	18	60										fracture or fractures sub-parallel to c.a. causing broken core & poor recovery
S	13	90	16	40	P, S ₁ , Z						610	2110		lineation parallel to a _{2m} 210
S	16	40	11	07.5	P, S ₁ , Z						610	2110		
S	11	07.5	11	10.0	S, H, R									weak shear parallel to c.a.
S	11	16.5	11	19.0	S, H, R									sheared zone 30° to c.a.
S	11	19.0	11	25.0	Z						510	21010		Z sum on F ₂ fold
S			11	27.0	P, S ₁ , Z						710	2110		

S₂
S₄
S₂

