

CYPRUS ANVIL MINING CORPORATION

DIAMOND DRILL CORE LOG

Hole Number: 66-EB

Fabric Orientation Diagram:

Project: RE-LOGGING

Location: ZONE 3

Claim: _____

Terr. Plane Co-ords.: _____ N

_____ E

Grid Co-ords.: 7141.0

15,619.0

Elevation: 4012.0

Total Depth: 370.5'

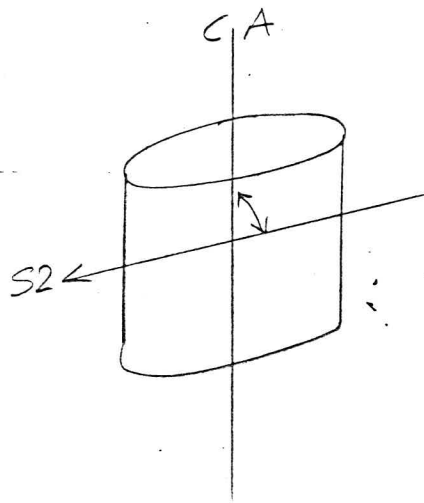
Purpose: _____

Logged by: _____ Date(s) Logged: _____

Drilling Contractor: _____	Core: _____	Size _____	From _____	To _____	Collar Cased and Capped: _____
----------------------------	-------------	------------	------------	----------	--------------------------------

_____	_____	_____
_____	_____	_____
_____	_____	_____

Started: _____ Completed: _____



All symmetry determinations looking

NW with S2 dipping

S-W with dip azimuth 210.

Code	From		To		Feature	S ₁ Dip Direct.	S ₂ Dip Direct.		Description			
	10	14	16	20			22	24		26	28	32
S				135	0 P ₁ S ₁ Z			516	210			
S				136	0 F ₁ Z							
S				137	0 S ₁ Z			010				135-153 steep S ₂
S				147	0 S ₁ Z			115				
S				155	0 P ₁ S ₁ Z			710				
S				159	0 F ₁ S							
S				165	0 P ₁ S ₁ Z			617				
S				175	0 P ₁ S ₁ Z			412				
S				184	0 P ₁ S ₁ Z			711				
S				197	0 P ₁ S ₁ Z			64				
S				207	0 P ₁ S ₁ Z			615				
S				217	0 F ₁ Z							F ₁ fold small - 217 → 221
S				217	0 S ₁ Z			010				
S				221	0 F ₁ S							
S				224	0 P ₁ S ₁ Z			40				
S				232	0 P ₁ S ₁ Z			57				
S												
S				239	0 P ₁ S ₁ Z			60				
S												
S				248	0 P ₁ S ₁ Z			51				
S				255	0 P ₁ S ₁ Z			55				
S				256	0 P ₁ S ₁ Z			40				
S				266	0 P ₁ S ₁ Z			50				
S				271	0 P ₁ S ₁ Z			50				
S				279	0 P ₁ S ₁ Z			55				
S				284	0 P ₁ S ₁ Z			30				
S				290	0 P ₁ S ₁ Z			40				
S				300	0 P ₁ S ₁ Z			40				
S				304	0 P ₁ S ₁ Z			45				
S				314	0 P ₁ S ₁ Z			60				
S				324	0 P ₁ S ₁ Z			60				
S				336	0 P ₁ S ₁ Z			50				
S				350	0 P ₁ S ₁ Z			68				
S				356	0 P ₁ S ₁ Z			85				
S				370	0 P ₁ S ₁ Z			70				