

CYPRUS ANVIL MINING CORPORATION

DIAMOND DRILL CORE LOG

Hole Number: 66-55

Fabric Orientation Diagram:

Project: RE-LOGGING

Location: ZONE 1/3

Claim: _____

Terr. Plane Co-ords.: _____ N

_____ E

Grid Co-ords.: 9,028.0 N

13,757.0 E

Elevation: 4047.0

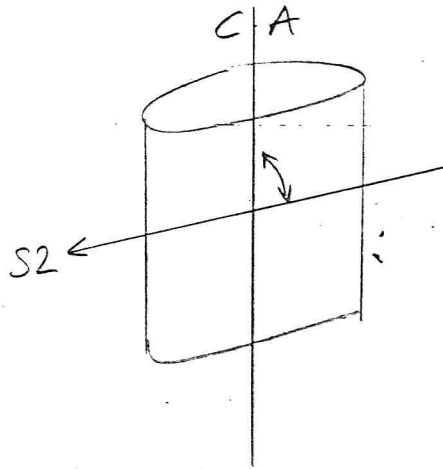
Total Depth: 602'

Purpose: _____

Logged by: _____ Date(s) Logged: _____

Drilling Contractor:	Core:	Size	From	To	Collar Cased and Capped:
_____	_____	_____	_____	_____	_____
_____	_____	_____	_____	_____	_____
_____	_____	_____	_____	_____	_____

Started: _____ Completed: _____



All symmetry determinations locking NW with S2 dipping SW with dip azimuth 210°.

Structural Log

Code	From				To				Feature	E S	S ₁		S ₂		Description	
	10	14	16	20	22	24	26	28			Dip	Direct.	Dip	Direct.		
S									AS ₁ 2					53	2110	
S									AS ₁ 2					64	2110	
S									PS ₁ 2					54	2110	
S									AS ₁ 2					30	2110	
S									PS ₁ 2					75	2110	
S									PS ₁ 2					70	2110	
S									PS ₁ 2					70	2110	
S									F4S							- Rubbly core - above 204' to 197'
S									PS ₁ 2					40	2110	
																209' - contact with OE.
S									PS ₁ 2					00		Small slug of schist in OE
S									PS ₁ 2					66	2110	
S									PS ₁ 2					62	2110	
S									PS ₁ 2					70	2110	
S									PS ₁ 2					49	2110	
S									PS ₁ 2					80	2110	
S									PS ₁ 2					70	2110	
S									PS ₁ 2					62	2110	
S									PS ₁ 2					61	2110	
																no contact angles determinable
S									PS ₁ 2					37	2110	Contact angle of 100 with OE
																is 40° at 530.' azimuth 120°
																Z symmetry in core
S									PS ₁ 2					50	2110	
																Lower contact angle 24°
																azimuth difficult to determine
																but appears to be 210 if
																S2 not rotated 'en bloc'.

CYPRUS ANVIL MINING CORPORATION

DIAMOND DRILL CORE LOG

Hole Number: 66-52

Fabric Orientation Diagram:
C.A.

Project: ZONE 3 RE-LOG

Location: ZONE 3

Claim: _____

Terr. Plane Co-ords.: _____ N

_____ E

Grid Co-ords.: 8996.91 N

MINE 14199.10 E

Elevation: 4038.84

All symmetry determinations looking
NW with S₂ dipping
SW with dip azimuth 210°.

Total Depth: 725.0

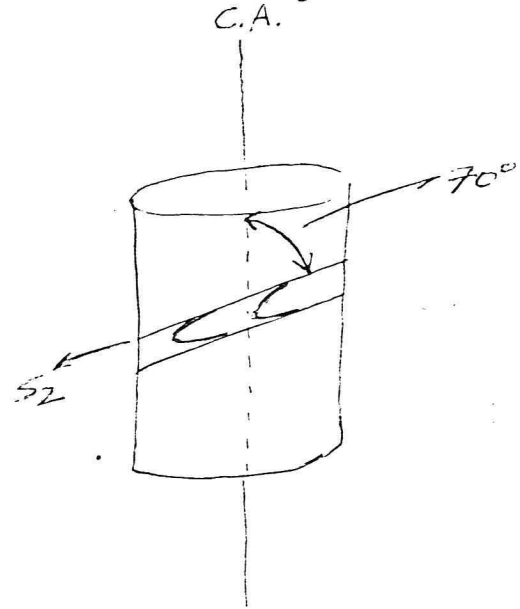
Purpose: ZONE 3 REFIN.

Logged by: _____ Date(s) Logged: _____

Drilling Contractor: _____ Core: Size From To Collar Cased and Capped: _____

_____	_____	_____
_____	_____	_____
_____	_____	_____

Started: _____ Completed: _____



Lithologic Log

Code	From	To	Unit	Code	Description
L	1014	1620	22	23	
L	1100	1145	01	#1	O/B
L	1145	2116	02	1C1D	145-213 - shattered & disint. core.
L	2116	2590	03	1D0	
-	111	111	1	11	
L	2595	2710	04	1FD	- " + effaceous interbands, gritty, 1D
L	2710	3111	05	1D0	interbands.
L	3111	3250	06	1CD	
L	3250	3410	07	0E8	- upper contact, 11 S ₂ ? - broken
-	111	111	1	11	lower " broken.
L	3410	4120	08	1CD	
L	4120	4390	09	1D0	biotik 7 musc., chloritite
-	111	111	1	11	local bands 1CD.
L	4390	4720	10	1FD	
L	4720	4825	11	1FD	- bleached. - musc 7 bio.
L	4825	5080	12	1DA	- diffuse envelope siliceous.
L	5080	5130	13	1DA	
L	5130	5200	14	2H0	
L	5200	5310	15	2D0	10% total sulphides, < 5% comb.
L	5310	5460	16	2FR	
L	5460	5470	17	2GR	- base betals zilch
L	5470	5680	18	2F0	
L	5680	5730	19	2GR	- ZnS < 5%
L	5730	5790	20	2F0	
L	5790	5805	21	2GR	- base metal door
L	5805	5815	22	2F0	
L	5815	5825	23	2F0	base metal door
L	5825	5855	24	2F0	
L	5855	5935	25	2G2	base metal door
L	5935	6080	26	2E2	< 5% ^{base metals} 2F0 sands.
L	6080	6095	27	2E4	~ 10% base metals
L	6095	6170	28	2A0	scattered py. - silic.
L	6170	6240	29	2C0	< 5% py.
L	6240	6300	30	2A0	< 5% total sulphides spotty base metals.
L	6300	6310	31	2B0	- No sulphides y-axis to 124
-	6310	6390	32	2F0	< 5% total sulphides, spotty ZnS
L	6390	7250	33	1CD	SOH.

