

2. NES 2+3
R.E-Log
1977

015768

CYPRUS ANVIL MINING CORPORATION

DIAMOND DRILL CORE LOG

Hole Number: 71-01

Fabric Orientation Diagram:

Project: R.E-LOGGING

Location: ZONE 3

Claim: _____

Terr. Plane Co-ords.: _____ N

_____ E

Grid Co-ords.: 8118.0 N

13,975.0 E

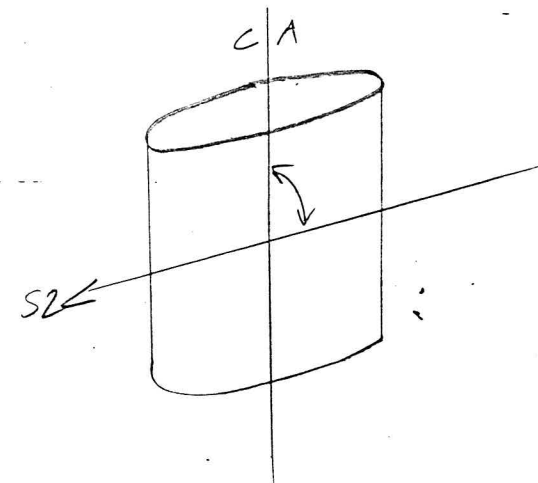
Elevation: 3967.2

Total Depth: 695'

Purpose: _____

Logged by: _____ Date(s) Logged: _____

Drilling Contractor:	Core:	Size	From	To	Collar Cased and Capped:
_____	_____	_____	_____	_____	_____
_____	_____	_____	_____	_____	_____
_____	_____	_____	_____	_____	_____



All symmetry determinations looking

NW with S2 dipping

SW with dip azimuth 210.

Started: _____ Completed: _____

Structural Log

Logged By: _____

Code	From		To		Feature	E S	S ₁		S ₂		Description	
	10	14	16	20			22	24	26	28		32
S				1610	0	P,S,2				410	2110	
S				1810	0	P,S,2				810	2110	
S				11010	0	P,S,2				519	2110	
S				11210	0	P,S,2				810	2110	Gouge 124'-127'
S				11410	0	P,S,2				619	2110	
S				11610	0	P,S,2				619	2110	S2 steepens at 162'
S				11810	0	P,S,2				517	2110	
S				12000	0	P,S,2				519	2110	
S				12210	0	P,S,2				618	2110	
S				12410	0	P,S,2				515	2110	
S				12610	0	P,S,2				610	2110	
S				12810	0	P,S,2				710	2110	
S				13010	0	P,S,2				612	2110	
S				13210	0	P,S,2				613	2110	
S				13410	0	P,S,2				711	2110	
S				13610	0	P,S,2				717	2110	
S				13810	0	P,S,2				610	2110	
S				14010	0	P,S,2				618	2110	
S				14210	0	P,S,2				510	2110	
S				14410	0	P,S,2				510	2110	
S				14610	0	P,S,2				710	2110	
S				14810	0	P,S,2				715	2110	
S				15010	0	P,S,2				712	2110	
S				15210	0	P,S,2				514	2110	
S				15315	0	P,S,2				713	2110	
S				15415	0	S,2				110	2110	Steep S2 540'-550'
S				15510	0	P,S,2				910	2110	
S				15710	0	P,S,2				910	2110	
S				15910	0	P,S,2				910	2110	
S				16010	0	P,S,2				910	2110	
S				16110	0	P,S,2				817	2110	
S				16115	0	P,S,2				710	2110	
S				16215	0	P,S,2				610	2110	
S				16315	0	P,S,2				510	2110	
S				16415	0	P,S,2				315	2110	
S				16615	0	P,S,2				418	2110	

CYPRUS ANVIL MINING CORPORATION

DIAMOND DRILL CORE LOG

Hole Number: 71-05

Fabric Orientation Diagram:

Project: RE-LOGGING

Location: ZONE 3

Claim: _____

Terr. Plane Co-ords.: _____ N

_____ E

Grid Co-ords.: 7721.0 N

14,596.0 E

Elevation: 4001.5

All symmetry determinations locking
_____ with _____ dipping
_____ with dip azimuth _____.

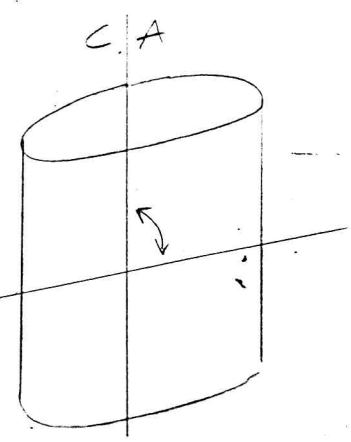
Total Depth: 567.

Purpose: _____

Logged by: _____ Date(s) Logged: _____

Drilling Contractor:	Core:	Size	From	To	Collar Cased and Capped:
_____	_____	_____	_____	_____	_____
_____	_____	_____	_____	_____	_____
_____	_____	_____	_____	_____	_____

Started: _____ Completed: _____



Structural Log

Logged By: _____

Core	From		To		Feature	E S	S ₁ Dip Direct.		S ₂ Dip Direct.		Description			
	10	14	16	20			22	24	26	28		32	34	38
S				13	20	P	S			6	8	21	110	
S				15	20	P	S			6	7	21	110	
S				17	20	P	S			6	8	21	110	
S				19	20	P	S			7	0	21	110	
S				11	10	P	S			7	3	21	110	
S				11	30	P	S			8	0	21	110	
S				11	50	P	S			6	8	21	110	
S				11	70	P	S			5	5	21	110	
S				11	90	P	S			7	7	21	110	
S				12	10	P	S			6	5	21	110	
S				12	30	P	S			8	0	21	110	
S				12	50	P	S			7	5	21	110	
S				12	70	P	S			7	6	21	110	
S				12	90	P	S			5	4	21	110	
S				13	10	P	S			6	0	21	110	
S				13	30	P	S			5	5	21	110	
S				13	50	P	S			7	2	21	110	
S				13	70	P	S			6	0	21	110	
S				13	90	P	S			6	2	21	110	
S				14	10	P	S			6	5	21	110	
S				14	30	P	S			6	2	21	110	
S				14	35	P	S			2	5	21	110	
S				14	40	P	S			6	0	21	110	
S				14	50	P	S			7	0	21	110	
S				14	60	P	S			7	5	21	110	
S				14	70		S			1	0	21	110	Steep 52 467' - 479'
S				14	78	P	S			1	0	21	110	
S				14	80	P	S			6	0	21	110	
S				14	90	P	S			7	0	21	110	
S				15	10	P	S			7	5	21	110	
S				15	17	P	S			6	3	21	110	
S				15	27	P	S			5	5	21	110	
S				15	37	P	S			6	7	21	110	
S				15	47	P	S			7	8	21	110	
S				15	52	P	S			6	7	21	110	
S				15	57	P	S			7	0	21	110	

