

CYPRUS ANVIL MINING CORPORATION

DIAMOND DRILL CORE LOG

Hole Number: 73-01

Fabric Orientation Diagram:

Project: RE-LOGGING

Location: ZONE 3

Claim: _____

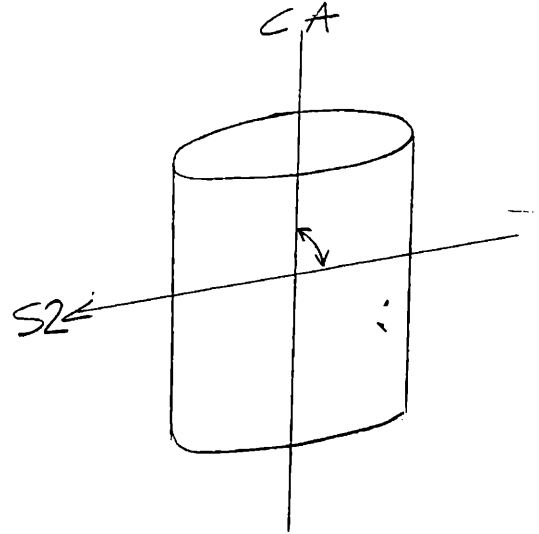
Terr. Plane Co-ords.: _____ N

_____ E

Grid Co-ords.: 9684.3 N

14711 2 E

Elevation: 4182 6



All symmetry determinations looking NW with S2 dipping SW with dip azimuth 210.

Total Depth: 550'

Purpose: ZONE DEF'N.

Logged by: _____ Date(s) Logged: _____

Drilling Contractor:	Core:	Size	From	To	Collar Cased and Capped:
_____	_____	_____	_____	_____	_____
_____	_____	_____	_____	_____	_____
_____	_____	_____	_____	_____	_____

Started: _____ Completed: _____

CYPRUS ANVIL MINING CORPORATION

DIAMOND DRILL CORE LOG

Hole Number: 73-02

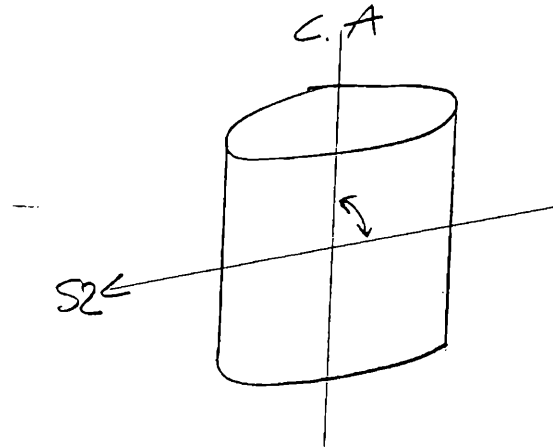
Fabric Orientation Diagram:

Project: RE-LOGGING

Location: ZONE 3

Claim: _____

Terr. Plane Co-ords.: _____ N



_____ E

Grid Co-ords.: 9254.1 N

14,275 0 E

All symmetry determinations looking

NW with S2 dipping

Elevation: 4060.2

SW with dip azimuth 210°.

Total Depth: 700'

Purpose: ZONE DEFN

Logged by: _____ Date(s) Logged: _____

Drilling Contractor: _____ Core: Size From To Collar Cased and Capped: _____

_____	_____	_____
_____	_____	_____
_____	_____	_____

Started: _____ Completed: _____

