

020262

FARO DEPOSIT

ZONE 3

DDH RE-LOG

September, 1977

CYPRUS ANVIL MINING CORPORATION

DIAMOND DRILL CORE LOG

Hole Number: 65-9

Fabric Orientation Diagram:

Project: ZONE 3 RE-LOG

Location: ZONE 3

Claim: _____

Terr. Plane Co-ords.: _____ N

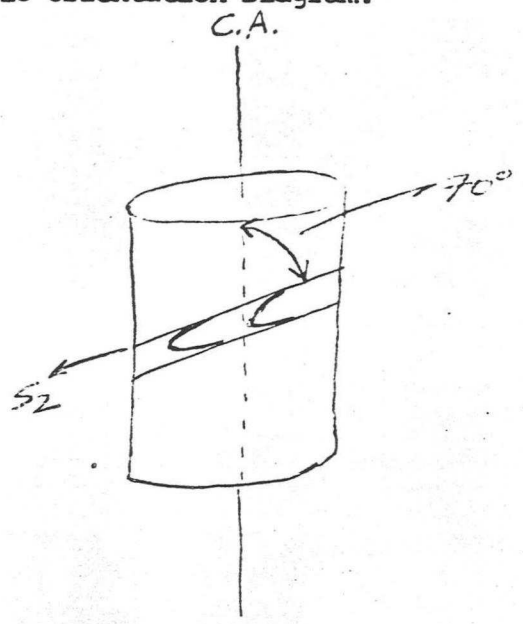
_____ E

Grid Co-ords.: 9199.8 N

MINE 13998.3 E

Elevation: 4060.47

All symmetry determinations looking
NW with S2 dipping
SW with dip azimuth 210°.



Total Depth: 477.0

Purpose: ZONE 3 DEFIN.

Logged by: _____ Date(s) Logged: _____

Drilling Contractor: _____ Core: Size From To Collar Cased and Capped: _____

| | | |
|-------|-------|-------|
| _____ | _____ | _____ |
| _____ | _____ | _____ |
| _____ | _____ | _____ |

Started: _____ Completed: _____

(X) 2 ✓

CYPRUS ANVIL MINING CORPORATION

DIAMOND DRILL CORE LOG

Hole Number: 66E-1

Fabric Orientation Diagram:

Project: ZONE 3 RE-LOG

Location: ZONE 3

Claim: _____

Terr. Plane Co-ords.: _____ N

_____ E

Grid Co-ords.: 7541.50 * N

MINE

15604.00 * E

Elevation: 4075.0
~~NOT KNOWN *~~

All symmetry determinations looking
NW with S2 dipping
SW with dip azimuth 210°.

Total Depth: 452.5

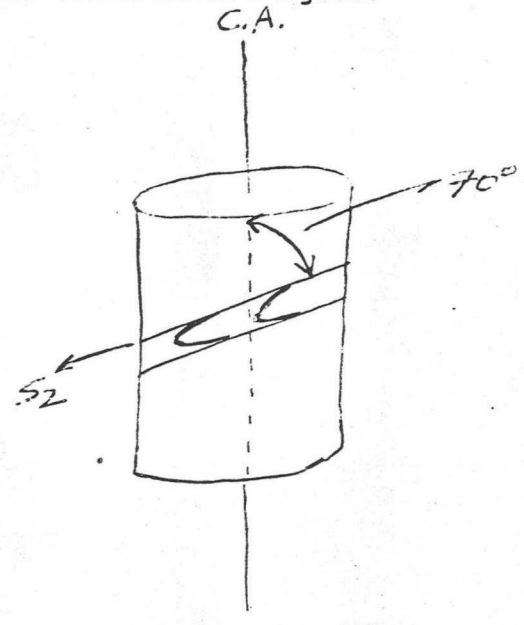
Purpose: ZONE 3 DEFIN.

Logged by: _____ Date(s) Logged: _____

Drilling Contractor: _____ Core: Size From To Collar Cased and Capped: _____

| Core | Size | From | To | Collar Cased and Capped |
|-------|-------|-------|-------|-------------------------|
| _____ | _____ | _____ | _____ | _____ |
| _____ | _____ | _____ | _____ | _____ |
| _____ | _____ | _____ | _____ | _____ |

Started: _____ Completed: _____



CYPRUS ANVIL MINING CORPORATION

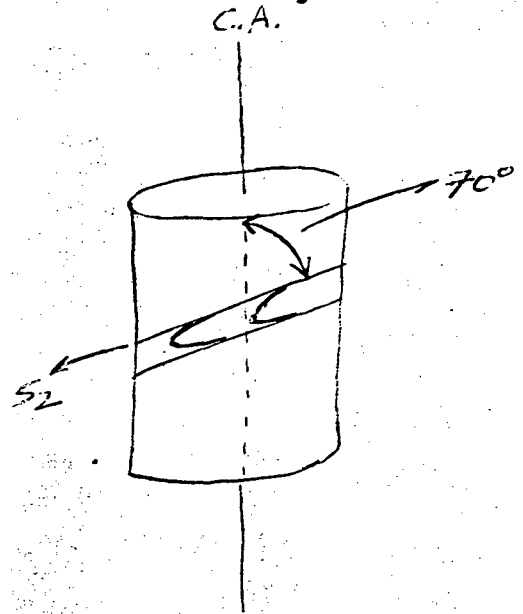
DIAMOND DRILL CORE LOG

Hole Number: 66E-9

Fabric Orientation Diagram:

Project: ZONE 3 RE-LOG

Location: ZONE 3



Claim: _____

Terr. Plane Co-ords.: _____ N

_____ E

Grid Co-ords.: 7943.0 N

MINE 15592.0 E

All symmetry determinations looking NW with S2 dipping SW with dip azimuth 210°.

Elevation: 4037.0

Total Depth: 546.0

Purpose: ZONE 3 DEFIN.

Logged by: _____ Date(s) Logged: _____

| Drilling Contractor: | Core: | Size | From | To | Collar Cased and Capped: |
|----------------------|-------|-------|-------|-------|--------------------------|
| _____ | _____ | _____ | _____ | _____ | _____ |
| _____ | _____ | _____ | _____ | _____ | _____ |
| _____ | _____ | _____ | _____ | _____ | _____ |

Started: _____ Completed: _____

| No | From | | To | | Unit | | Code | Description |
|----|--------|----|--------|----|------|-------|------|--|
| | 10 | 14 | 16 | 20 | 22 | 23 | | |
| L | 1100 | | 1410 | | 01 | #1 | | triconed (no core) |
| L | 1410 | | 1617 | | 02 | 3A10 | | transition zone (brecciated) |
| L | 1617 | | 11317 | | 03 | 1D10 | | bio > musc ; ± andalusite |
| L | 11317 | | 12110 | 5 | 04 | 1D10 | | musc > bio ± andalusite |
| L | 12110 | 5 | 121310 | 5 | 05 | 1D14 | | "bleached envelope" |
| L | 121310 | 5 | 121312 | 5 | 06 | 21C1E | | ~50% total sdes |
| L | 121312 | 5 | 121313 | 5 | 07 | 21A10 | | ~20% tot. sdes |
| L | 121313 | 5 | 121316 | | 08 | 21D10 | | ~60% total sdes |
| L | 121316 | 0 | 121317 | 0 | 19 | 21F12 | | not typical "buckshot" texture |
| L | 121317 | 0 | 121518 | 5 | 10 | 1D14 | | |
| L | 121518 | 5 | 121612 | 0 | 11 | 11F14 | | altered metabasite |
| L | 121612 | 0 | 121619 | 0 | 12 | 1D14 | | gouge + broken core |
| L | 121619 | 0 | 121810 | 0 | 13 | 11F14 | | cf unit 11 |
| L | 121810 | 0 | 121815 | 2 | 14 | 1D14 | | gouge 281-282 |
| L | 121815 | 2 | 121911 | 0 | 15 | 21E14 | | <5% Pb+Zn |
| L | 121911 | 0 | 121919 | 0 | 16 | 21J13 | | marcasite ± py ; 4" bull qtz @ end of int |
| L | 121919 | 0 | 131017 | 0 | 17 | 1D14 | | gouge ; lost core |
| L | 131017 | 0 | 131114 | 0 | 18 | 21E10 | | coarse grained |
| L | 131114 | 0 | 131212 | 0 | 19 | 21E18 | | →2E81 |
| L | 131212 | 0 | 131310 | 0 | 20 | 21E11 | | →2E14 |
| L | 131310 | 0 | 131310 | 5 | 21 | 21B10 | | |
| L | 131310 | 5 | 131512 | 0 | 22 | 21E10 | | →2E4 locally |
| L | 131512 | 0 | 131517 | 0 | 23 | 21C1E | | 60% total sdes minor 2EO bands ; minor mag @ beginning of int |
| L | 131517 | 0 | 131519 | 0 | 24 | 21C10 | | ~20% total sdes |
| L | 131519 | 0 | 131617 | 2 | 25 | 21E10 | | →2E1 locally |
| L | 131617 | 2 | 131715 | 5 | 26 | 21C10 | | ~20% total sdes |
| L | 131715 | 5 | 131716 | 5 | 27 | 21F10 | | |
| L | 131716 | 5 | 131816 | 5 | 28 | 21C1E | | ~60% total sdes ; brecciated |
| L | 131816 | 5 | 131818 | 0 | 29 | 21E10 | | coarse grained |
| L | 131818 | 0 | 131912 | 5 | 30 | 21C10 | | →2CE |
| L | 131912 | 5 | 131914 | 0 | 31 | 21E11 | | ~20% SiO ₂ |
| L | 131914 | 0 | 141018 | 0 | 32 | 21C10 | | ~30-40% total sdes ; minor breccia |
| L | 141018 | 0 | 141111 | 0 | 33 | 21E18 | | →2E81 ; minor breccia ; ~20% SiO ₂ |
| L | 141111 | 0 | 141416 | 0 | 34 | 21C10 | | →2CE locally ; minor bull qtz ; minor breccia |
| L | 141416 | 0 | 141511 | 0 | 35 | 1D14 | | |
| L | 141511 | 0 | 141514 | 0 | 36 | 1D10 | | |

CYPRUS ANVIL MINING CORPORATION

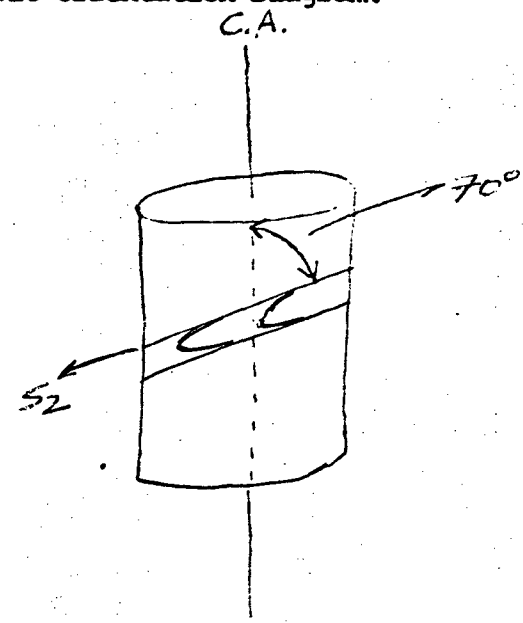
DIAMOND DRILL CORE LOG

Hole Number: 66-7

Fabric Orientation Diagram:

Project: ZONE 3 RE-LOG

Location: ZONE 3



Claim: _____

Terr. Plane Co-ords.: _____ N

_____ E

Grid Co-ords.: 9200.26 N

MINE 14798.34 E

All symmetry determinations looking NW with S2 dipping SW with dip azimuth 210°.

Elevation: 4156.69

Total Depth: 814.0

Purpose: ZONE 3 DEFIN.

Logged by: _____

Date(s) Logged: _____

| Drilling Contractor: | Core: | Size | From | To | Collar Cased and Capped: |
|----------------------|-------|-------|-------|-------|--------------------------|
| _____ | _____ | _____ | _____ | _____ | _____ |
| _____ | _____ | _____ | _____ | _____ | _____ |
| _____ | _____ | _____ | _____ | _____ | _____ |

Started: _____ Completed: _____

| Code | From | To | Unit | Code | Description |
|------|----------|----------------|------|------|--|
| 1 | 10 14 16 | 20 22 23 25 27 | | | |
| L | 1100 | 1600 | 01 | #1 | O/B |
| L | 1600 | 1870 | 02 | 3D10 | |
| L | 1870 | 11100 | 03 | 3A10 | |
| L | 11100 | 11230 | 04 | 3C10 | Medium green gritty, occasional biotite patches Tuff? |
| L | 11230 | 11990 | 05 | 3A10 | |
| L | 11990 | 13275 | 06 | 1D10 | |
| L | 13275 | 13610 | 07 | 1L10 | Bleached, alternate zones not bleached |
| L | 13610 | 14670 | 08 | 1C10 | |
| L | 14670 | 14820 | 09 | 1C10 | Bleached |
| L | 14820 | 15840 | 10 | 1C10 | Last 20' of interval increasingly bleached banding disappearing |
| L | 15840 | 15898 | 11 | 1D10 | |
| L | 15898 | 15998 | 12 | 2E10 | Grades to 2E1 Base metal content < 5% comb. |
| L | 15998 | 16175 | 13 | 2D18 | 10% combined |
| L | 16028 | 16060 | 14 | 2H10 | Base metal poor |
| L | 16060 | 16110 | 15 | 2D10 | About 5% |
| L | 16110 | 16155 | 16 | 2E18 | Locally to 2E2 and 2E1. Base metal deficient. |
| L | 16155 | 16170 | 17 | 2E0 | Some porphyroblastic pyrite |
| L | 16170 | 16230 | 18 | 2D10 | "locally to 2F0" |
| L | 16230 | 16260 | 19 | 2F10 | About 50% combined. Zn > Pb. |
| L | 16260 | 16270 | 20 | 2D10 | Total sulphides 50% 5% Zn. |
| L | 16270 | 16310 | 21 | 2F10 | 10% combined. |
| L | 16310 | 16370 | 22 | 2D10 | 5% Zn. |
| L | 16370 | 16410 | 23 | 2E14 | Bands of 2H0 and 2F0 |
| L | 16410 | 16420 | 24 | 2H10 | |
| L | 16420 | 16450 | 25 | 2F10 | Locally to 2F1 with bands of 2H0* and 2E0* *base metal deficient (ref. to 2H0 - 2E0) |
| L | 16450 | 16720 | 26 | 2C10 | Total sulphides = 30% mostly Zn disseminat. quartzite is where banded, also graphitic foliation, trying to get to silt on banded |
| L | 16720 | 16770 | 27 | 2A10 | Not great 2A0 but graphitic laminations and Albitrich thin bedding throughout and phalinite only sulphide 5-10% |
| L | 16770 | 17000 | 28 | 1D14 | |

CYPRUS ANVIL MINING CORPORATION

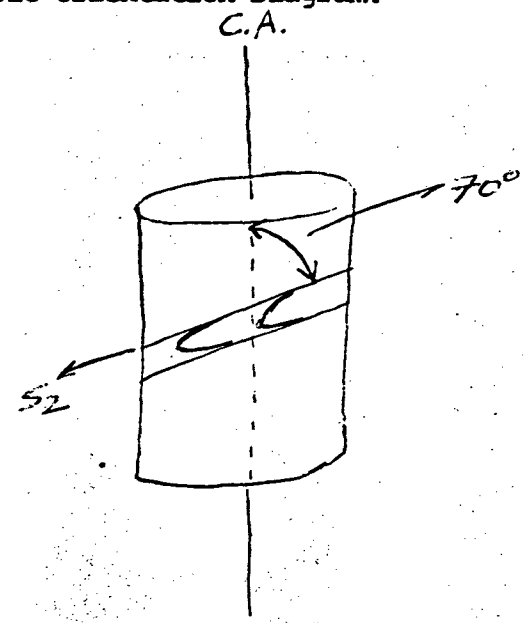
DIAMOND DRILL CORE LOG

Hole Number: 66-10A

Fabric Orientation Diagram: C.A.

Project: ZONE 3 RE-LOG

Location: ZONE 3



Claim: _____

Terr. Plane Co-ords.: _____ N

_____ E

Grid Co-ords.: 8790.5 N

MINE 14795.4 E

All symmetry determinations looking NW with S2 dipping SW with dip azimuth 210°.

Elevation: 4121.38

Total Depth: 849.0

Purpose: ZONE 3 DEFIN.

Logged by: _____ Date(s) Logged: _____

| Drilling Contractor: | Core: | Size | From | To | Collar Cased and Capped: |
|----------------------|-------|-------|-------|-------|--------------------------|
| _____ | _____ | _____ | _____ | _____ | _____ |
| _____ | _____ | _____ | _____ | _____ | _____ |
| _____ | _____ | _____ | _____ | _____ | _____ |

Started: _____ Completed: _____

Lithologic Log

| Code | From | To | Unit | Code | Description |
|------|---------|---------|------|-------------|---|
| I | 10 | 14 16 | 20 | 22 23 25 27 | |
| L | 11100 | 113150 | 011 | #1 | |
| L | 113150 | 114250 | 012 | 1F10 | 35-39 interbanded tuff |
| L | 114250 | 110160 | 013 | 31A10 | 3DO from 91-95 |
| L | 110160 | 113110 | 014 | 1D10 | → 1D9 locally; broken core |
| L | 113110 | 115160 | 015 | 1F10 | mixture of metabasite and metatuffaceous material; much broken core |
| L | 115160 | 116105 | 016 | 1D10 | carbonaceous |
| L | 116105 | 121140 | 017 | 1F10 | |
| L | 121140 | 121340 | 018 | 1D12 | fault gouge; → 1E0 locally |
| L | 121340 | 121470 | 019 | 1D9 | |
| L | 121470 | 131920 | 10 | 1D10 | bio > musc ≠ andalusite |
| L | 131920 | 131960 | 11 | 0E8 | breccia; many 1D frags |
| L | 131960 | 141020 | 12 | 0E8 | not brecciated; lower ct not visible |
| L | 141020 | 141190 | 13 | 1D10 | → 1CD locally |
| L | 141190 | 141360 | 14 | 1D9 | → 1CD4 " |
| L | 141360 | 141530 | 15 | 1F8 | note: not typical metabasite; not encountered before (or since!) |
| L | 141530 | 141915 | 16 | 1CD | |
| L | 141915 | 151120 | 17 | 1CD | → 1CD4 |
| L | 151120 | 151165 | 18 | 21C3 | breccia; ~20-40% total sdes; py/marcasite; vuggy |
| L | 151165 | 1512100 | 19 | 21B10 | < 5% total sdes |
| L | 1512100 | 151340 | 210 | 1CD | |
| L | 151340 | 151360 | 211 | 1F10 | |
| L | 151360 | 151390 | 212 | 1CD | |
| L | 151390 | 151710 | 213 | 1CD | → 1CD4; minor sdes look out of order |
| L | 151710 | 151730 | 214 | 21D4 | > 10% Pb+Zn (mostly sph) |
| L | 151730 | 151740 | 215 | 01Q0 | minor sdes (py, gal) |
| L | 151740 | 151780 | 216 | 21E3 | ~20% SiO ₂ |
| L | 151780 | 151830 | 217 | 21C10 | ~20% total sdes |
| L | 151830 | 151910 | 218 | 1D9 | |
| L | 151910 | 151940 | 219 | 21E3 | ~20% SiO ₂ ; py/marc |
| L | 151940 | 161010 | 310 | 21E10 | coarse grained; |
| L | 161010 | 161325 | 311 | 21E10 | → 2E1 locally |
| L | 161325 | 161380 | 312 | 21E2 | |
| L | 161380 | 161395 | 313 | 21E3 | |

CYPRUS ANVIL MINING CORPORATION

DIAMOND DRILL CORE LOG

Hole Number: 66-11

Fabric Orientation Diagram:

Project: ZONE 3 RE-LOG

Location: ZONE 3

Claim: _____

Terr. Plane Co-ords.: _____ N

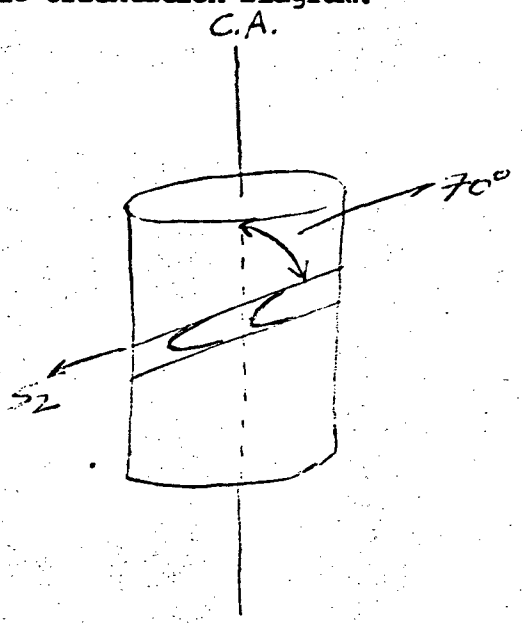
_____ E

Grid Co-ords.: 9199.34 N

MINE 15199.66 E

Elevation: 4191.47

All symmetry determinations looking NW with S2 dipping SW with dip azimuth 210°.



Total Depth: ~~757.0~~ 759.5

Purpose: ZONE 3 DEFIN.

Logged by: _____ Date(s) Logged: _____

Drilling Contractor: _____ Core: Size From To Collar Cased and Capped: _____

| Core | Size | From | To |
|-------|-------|-------|-------|
| _____ | _____ | _____ | _____ |
| _____ | _____ | _____ | _____ |
| _____ | _____ | _____ | _____ |

Started: _____ Completed: _____

Lithologic Log

| Code | From | To | Unit | Code | Description |
|------|--------|--------|------|-------------|---|
| I | 10 | 14 16 | 20 | 22 23 25 27 | |
| L | 1100 | 1110 | 01 | # | O/B |
| L | 1111 | 1155 | 02 | 3D0 | 55.0 - 126.5 3A |
| L | 1126.5 | 1131.0 | 03 | 3A0 | |
| L | 1126.5 | 1131.0 | 014 | 31C10 | GRITTY TUFF? BANDS. LOCALLY LOOKS LIKE 3D? |
| L | 1131.0 | 1142.0 | 015 | 3A10 | 3D? |
| L | 1142.0 | 1161.5 | 016 | 3100 | MASSIVE - GRITTY - TUFF. |
| L | 1161.5 | 1174.5 | 017 | 1D10 | DARK - FINELY LAMINATED - ^{BLACK} ANDALUSITE |
| L | 1174.5 | 1175.5 | 018 | 1F0 | (Pyrite banding) GRITTY - YELLOW BROWN. |
| L | 1175.5 | 1181.0 | 019 | 1D10 | AS UNIT 06. |
| L | 1181.0 | 1183.0 | 10 | 1F0 | AS UNIT 07. |
| L | 1183.0 | 1198.5 | 11 | 1D0 | AS UNIT 06. |
| L | 1198.5 | 1262.5 | 12 | 1D0 | NORMAL |
| L | 1262.5 | 1306.0 | 13 | 1F0 | |
| L | 1306.0 | 1315.0 | 14 | 1F5 | M. GREEN, GRITTY - SOME BROTITE PULL-APARTS LOCALLY LOOKS LIKE 3D. |
| L | 1315.0 | 1498.0 | 15 | 1C1D | |
| L | 1498.0 | 1500.5 | 16 | 1D4 | PERVASIVE |
| L | 1500.5 | 1505.0 | 17 | 2A1 | TOP INTERVAL SILICEOUS 30% SULPHIDES - BASE METAL POOR. |
| | | | | | MIDDLE - Pb RICH -> 80% WITH 4" BAND 20% Pb & Zn. |
| | | | | | BOTTOM - AS TOP. |
| L | 1505.0 | 1536.5 | 18 | 1C1D | BLEACHED - FREQUENT WH PR ZONES WITH PINK ANDALUSITE |
| L | 1536.5 | 1538.0 | 19 | 2A0 | NOT GREAT 2A. < 5% TOTAL SULPHIDES WEAK ZNS. |
| L | 1538.0 | 1540.0 | 20 | 1C1D | |
| L | 1540.0 | 1542.0 | 21 | 2A1 | OVERALL 40% Pb. BASE METAL POOR |
| L | 1542.0 | 1551.0 | 22 | 1D4 | PERVASIVE |
| L | 1551.0 | 1559.0 | 23 | 2D9 | 30% TOTAL SULPHIDES. 5% Pb & Zn Zn > 7Pb. Δ D QTZ - MASSIVE. |
| L | 1559.0 | 1561.5 | 24 | 1D4 | |
| L | 1561.5 | 1574.0 | 25 | 2D9 | Pb & Zn 5-10%. TOTAL SULPHIDES = 40%. TRYING TO GET TO 2A. |
| L | 1574.0 | 1579.0 | 26 | 2C0 | < 5% Pb. |

CYPRUS ANVIL MINING CORPORATION

DIAMOND DRILL CORE LOG

Hole Number: 66-30

Fabric Orientation Diagram:
C.A.

Project: ZONE 3 RE-LOG

Location: ZONE 3

Claim: _____

Terr. Plane Co-ords.: _____ N

_____ E

Grid Co-ords.: 9793.04 N

MINE 14536.25 E

Elevation: 4124.70

All symmetry determinations looking
NW with S2 dipping
SW with dip azimuth 210°.

Total Depth: 526.0

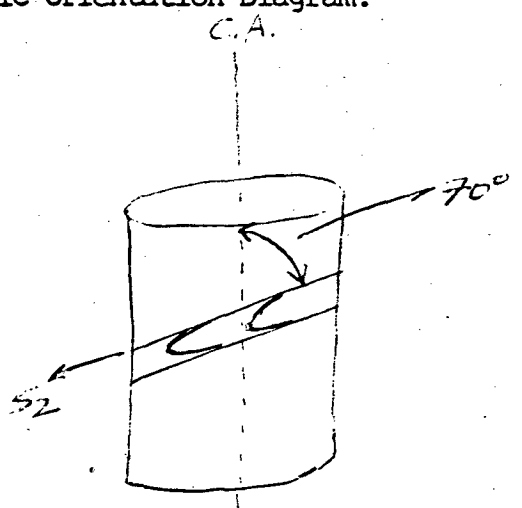
Purpose: ZONE 3 DEFIN.

Logged by: _____ Date(s) Logged: _____

Drilling Contractor: _____ Core: Size From To Collar Cased and Capped: _____

| Core | Size | From | To | Collar Cased and Capped |
|-------|-------|-------|-------|-------------------------|
| _____ | _____ | _____ | _____ | _____ |
| _____ | _____ | _____ | _____ | _____ |
| _____ | _____ | _____ | _____ | _____ |

Started: _____ Completed: _____



Lithologic Log

Logged By: JWM ~~SEF~~

| Core | From | To | Unit | Code | Description |
|------|-------|-------|----------|-------|---|
| 1 | 10 | 14 16 | 20 22 23 | 25 27 | |
| L | 1100 | 11100 | 01 | # | O/B |
| L | 11100 | 11320 | 02 | 1D0 | |
| L | 11320 | 11540 | 03 | 1CD | MULC > B10 - POSSIBLY BLEACHED. |
| L | 11540 | 11570 | 04 | 1DA | |
| L | 11570 | 11585 | 05 | 2E1 | BASE METAL POOR |
| L | 11585 | 11600 | 06 | 1DA | |
| L | 11600 | 12140 | 07 | 1CD | HEMATITE STAINING ON LAMINATIONS. MULC > B10. UNUSUALLY LIGHT COLOURED. |
| L | 12140 | 12190 | 08 | 1DA | SILICEOUS. |
| L | 12190 | 12210 | 09 | 2E4 | Δ'D PY Pb/Zn = 8%. |
| L | 12210 | 12230 | 10 | 1DA | |
| L | 12230 | 12250 | 11 | 2D0 | BASE METALS = 10% Zn > Pb MASSIVE QRTZ 5-10% PY. |
| L | 12250 | 12260 | 12 | 2H1 | |
| L | 12260 | 12300 | 13 | 2D0 | AS UNIT 11. Py = 10-15%. |
| L | 12300 | 12315 | 14 | 2E1 | 10-15% QRTZ. |
| L | 12315 | 12345 | 15 | 1DA | SILICEOUS CONTENT INCREASES TO END INTERVAL |
| L | 12345 | 12360 | 16 | 2E1 | 5-10% QRTZ |
| L | 12360 | 12500 | 17 | 1CD | BLEACHED NO BIOTITE |
| L | 12500 | 12560 | 18 | 2E1 | CTY = 5% LOCALLY - QRTZ = 10-15%. |
| L | 12560 | 12620 | 19 | 2B0 | BASE METALS LOCALLY TO 5% |
| L | 12620 | 12750 | 20 | 2E1 | BASE METALS LOCALLY TO 10% - OVERALL POOR ZFO BANDS. BOX TURNED AROUND? |
| L | 12750 | 12760 | 21 | 2E0 | NO BASE METALS. |
| L | 12760 | 12815 | 22 | 2E1 | BASE METAL POOR |
| L | 12815 | 12835 | 23 | 2DA | Pb/Zn 15-20%. Zn > Pb. |
| L | 12835 | 12990 | 24 | 1DA | |
| L | 12990 | 13060 | 25 | 2G0 | PYRITE = 60% LOCALLY Δ'D |
| L | 13060 | 13115 | 26 | 2DA | AS IN UNIT 23. |
| L | 13115 | 13150 | 27 | 2D0 | AS ABOVE, < SULPHIDES. Pb/Zn = 5% |
| L | 13150 | 13165 | 28 | 2E1 | BASE METAL POOR. |
| L | 13165 | 13430 | 29 | 2DA | AS UNIT 23. Py = 30-40%. Pb/Zn = 10-15% LOCALLY HIGHER. LOCAL ZONES ZFO, GEMMATE PUL'N TRYING TO GET TO 2A. |
| L | 13430 | 13455 | 30 | 2E0 | TRACE Zn & Pb |

Lithologic Log

| Core | From | | To | | Unit | Code | Description |
|------|------|----|------|----|-------|-------|---|
| | 10 | 14 | 16 | 20 | 22 23 | 25 27 | |
| L | 3145 | 5 | 3148 | 0 | 31 | 2E10 | AS ABOVE, LOCALLY 5% Pb/Zn, QTZ 10-15% |
| L | 3148 | 0 | 3156 | 0 | 32 | 2D10 | BASE METALS = 10%, LOCALLY 4% Pb |
| L | 3156 | 0 | 3164 | 0 | 33 | 2DA | LOCAL ZONES 2A0, 2F0. |
| L | 3164 | 0 | 3169 | 0 | 34 | 2G0 | 20% PY. |
| L | 3169 | 0 | 3170 | 0 | 35 | 1KD | |
| L | 3170 | 0 | 3172 | 0 | 36 | 2D0 | 10% Py, 10% total sulphides |
| L | 3172 | 0 | 3187 | 0 | 37 | 2D0 | 15-20% total sulphides. 10-15% pyrite. |
| L | 3187 | 0 | 4110 | 0 | 38 | 2C10 | locally 5% Zn, Pb S 10-15% pyrite massive, locally "ribbon banded" texture |
| L | 4110 | 0 | 4122 | 0 | 39 | 2G0 | as above, approximates 2H, but very minor graphite base metal deficient. 5-10% Py |
| L | 4122 | 0 | 4122 | 0 | 40 | 2D10 | 10-15% Py. BASE METALS 0-5% BANNED. |
| L | 4122 | 0 | 4510 | 0 | 41 | 2F10 | |
| L | 4510 | 0 | 4625 | 0 | 42 | 2FA | |
| L | 4625 | 0 | 4695 | 0 | 43 | 2E0 | SPOTTY ZnS VARIANTS. |
| L | 4695 | 0 | 4740 | 0 | 44 | 2F0 | |
| L | 4740 | 0 | 4775 | 0 | 45 | 2C10 | MASSIVE - LOCALLY D.P. |
| L | 4775 | 0 | 4910 | 0 | 46 | 1DA | EOH? PATCHES BULL QB. |

CYPRUS ANVIL MINING CORPORATION

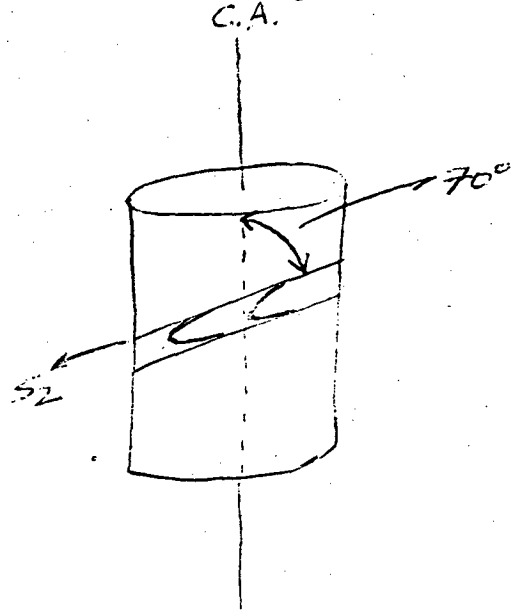
DIAMOND DRILL CORE LOG

Hole Number: 66-46

Fabric Orientation Diagram:

Project: ZONE 3 RE-LOG

Location: ZONE 3



Claim: _____

Terr. Plane Co-ords.: _____ N

_____ E

Grid Co-ords.: 9398.92 N

MINE 14599.93 E

All symmetry determinations looking NW with S2 dipping SW with dip azimuth 210°.

Elevation: 4161.05

Total Depth: 800

Purpose: ZONE 3 DEFIN.

Logged by: _____ Date(s) Logged: _____

| Drilling Contractor: | Core: | Size | From | To | Collar Cased and Capped: |
|----------------------|-------|-------|-------|-------|--------------------------|
| _____ | _____ | _____ | _____ | _____ | _____ |
| _____ | _____ | _____ | _____ | _____ | _____ |
| _____ | _____ | _____ | _____ | _____ | _____ |

Started: _____ Completed: _____

Lithologic Log

Logged By: DJA/PTL

| Core | From | | To | | Unit | | Code | | Description |
|------|------|-----|----|-----|------|-----|-------|----|--|
| | 10 | 14 | 16 | 20 | 22 | 23 | 25 | 27 | |
| L | 11 | 100 | 12 | 100 | 0 | 1 | #1 | 1 | triconed and weathered core |
| L | 12 | 10 | 12 | 19 | 0 | 012 | 1D10 | | not carbonaceous - musc > bio variety |
| L | 12 | 19 | 13 | 01 | 5 | 013 | 01E18 | | aphanitic g.m ; bio > hb |
| L | 13 | 01 | 13 | 19 | 5 | 014 | 1D10 | | cf unit 2. |
| L | 13 | 19 | 14 | 15 | 3 | 015 | 11C10 | | musc >> bio ; thin bio. lams |
| L | 14 | 15 | 14 | 18 | 0 | 016 | 01F10 | | qtz phenos but not "smokey" |
| L | 14 | 18 | 14 | 18 | 5 | 017 | 2J18 | | 5% py |
| L | 14 | 18 | 14 | 18 | 5 | 018 | 01F10 | | as unit 6 |
| L | 14 | 18 | 14 | 19 | 3 | 019 | 21E19 | | → 2E43 |
| L | 14 | 19 | 14 | 19 | 6 | 10 | 2J18 | | → 2J81 ; ~80% Fe ₃ O ₄ |
| L | 14 | 19 | 14 | 19 | 9 | 11 | 21E3 | | → 2G0 @ end of int (<1 ft) |
| L | 14 | 19 | 15 | 01 | 0 | 112 | 11C10 | | → 1CD9 |
| L | 15 | 01 | 15 | 01 | 7 | 113 | 21E10 | | → 2E8 locally |
| L | 15 | 01 | 15 | 10 | 0 | 114 | 21F10 | | |
| L | 15 | 10 | 15 | 12 | 2 | 115 | 2J18 | | minor band 2G0 (<1') |
| L | 15 | 12 | 15 | 12 | 5 | 116 | 2G0 | | ~30% BaSO ₄ |
| L | 15 | 12 | 15 | 12 | 6 | 117 | 2G5 | | ~15% total sdes |
| L | 15 | 12 | 15 | 14 | 8 | 118 | 2G0 | | ~15-20% BaSO ₄ |
| L | 15 | 14 | 15 | 15 | 3 | 119 | 21E18 | | → 2E84 locally |
| L | 15 | 15 | 15 | 16 | 6 | 210 | 2G1E | | ~60% py ; lightly brecciated ; blue qtz |
| L | 15 | 16 | 15 | 17 | 8 | 211 | 21E10 | | → 2E9 locally |
| L | 15 | 17 | 15 | 18 | 0 | 212 | 21E18 | | ~5% Fe ₃ O ₄ |
| L | 15 | 18 | 15 | 18 | 4 | 213 | 21E10 | | |
| L | 15 | 18 | 15 | 18 | 6 | 214 | 21E18 | | as unit 22 |
| L | 15 | 18 | 15 | 19 | 0 | 215 | 21E10 | | med grained ; → 2E4 locally |
| L | 15 | 19 | 16 | 01 | 0 | 216 | 21F10 | | ~8% Pb+Zn |
| L | 16 | 01 | 16 | 01 | 6 | 217 | 21E18 | | |
| L | 16 | 01 | 16 | 02 | 7 | 218 | 21F10 | | ~10% Pb+Zn. |
| L | 16 | 02 | 16 | 05 | 3 | 219 | 21E18 | | ~10% Fe ₃ O ₄ ; → 2E84 locally |
| L | 16 | 05 | 16 | 05 | 9 | 310 | 21F10 | | ~8% Pb+Zn ; → 2E9 locally |
| L | 16 | 05 | 16 | 06 | 4 | 311 | 21E14 | | |
| L | 16 | 06 | 16 | 06 | 6 | 312 | 2G10 | | breccia ; <5% py |
| L | 16 | 06 | 16 | 07 | 2 | 313 | 2H11 | | breccia |
| L | 16 | 07 | 16 | 08 | 5 | 314 | 2G10 | | ~20% total sdes. |
| L | 16 | 08 | 16 | 09 | 2 | 315 | 2D10 | | ~90% total sdes ; <20% 2F0 interband |
| L | 16 | 09 | 16 | 09 | 3 | 316 | 2G10 | | ~30% total sdes |

CYPRUS ANVIL MINING CORPORATION

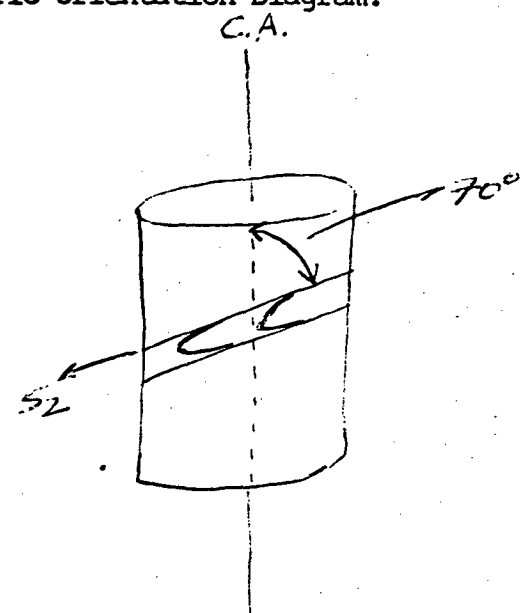
DIAMOND DRILL CORE LOG

Hole Number: 66-47

Fabric Orientation Diagram:
C.A.

Project: ZONE 3 RE-LOG

Location: ZONE 3



Claim: _____

Terr. Plane Co-ords.: _____ N

_____ E

Grid Co-ords.: 9599.83 N

MINE 15199.83 E

Elevation: 4217.11

All symmetry determinations looking
NW with S2 dipping
SW with dip azimuth 210°.

Total Depth: 700.0

Purpose: ZONE 3 DEFIN.

Logged by: _____ Date(s) Logged: _____

| Drilling Contractor: | Core: | Size | From | To | Collar Cased and Capped: |
|----------------------|-------|-------|-------|-------|--------------------------|
| _____ | _____ | _____ | _____ | _____ | _____ |
| _____ | _____ | _____ | _____ | _____ | _____ |
| _____ | _____ | _____ | _____ | _____ | _____ |

Started: _____ Completed: _____

CYPRUS ANVIL MINING CORPORATION

DIAMOND DRILL CORE LOG

Hole Number: 66-49

Fabric Orientation Diagram:

Project: ZONE 3 RE-LOG

Location: ZONE 3

Claim: _____

Terr. Plane Co-ords.: _____ N

_____ E

Grid Co-ords.: 8799.34 N

MINE

14399.49 E

Elevation: 4059.47

All symmetry determinations looking

NW with S2 dipping

SW with dip azimuth 210°.

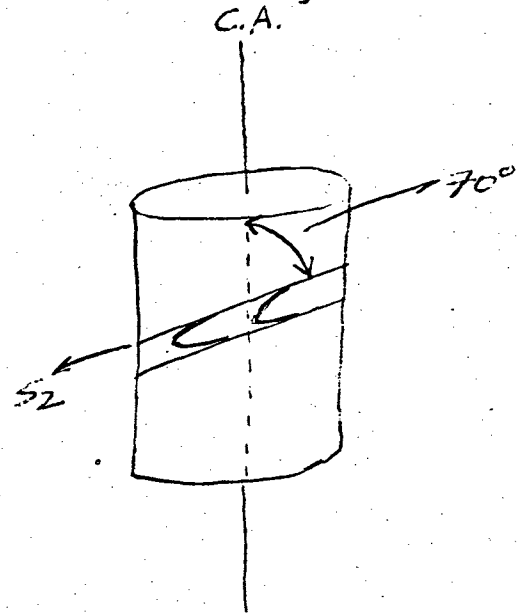
Total Depth: 750.0

Purpose: ZONE 3 DEFIN.

Logged by: _____ Date(s) Logged: _____

| Drilling Contractor: | Core: | Size | From | To | Collar Cased and Capped: |
|----------------------|-------|-------|-------|-------|--------------------------|
| _____ | _____ | _____ | _____ | _____ | _____ |
| _____ | _____ | _____ | _____ | _____ | _____ |
| _____ | _____ | _____ | _____ | _____ | _____ |

Started: _____ Completed: _____



Lithologic Log

Logged By: JWM/STP

| Code | From | To | Unit | Code | Description |
|------|----------|----------------|------|------|---|
| | 10 14 16 | 20 22 23 25 27 | | | |
| L | 1100 | 1950 | 01 | #1 | O/B |
| L | 1950 | 2000 | 02 | 3D10 | 120-177 SHATTERED CORES |
| L | 2000 | 2250 | 03 | 3A0 | |
| L | 2250 | 4255 | 04 | 1CD | B 717 → 725 BLACK ID - GOOD CHIASTOLITE |
| L | 4255 | 4330 | 05 | 0E6 | LOW CT CHIASTOLITE MARGIN - 11 S2. |
| L | 4330 | 4530 | 06 | 1D0 | DARK - CHIASTOLITE |
| L | 4530 | 5460 | 07 | 1CD | INCREASING MUOC TOWARD END OF INTERVAL |
| L | 5460 | 5580 | 08 | 1DA | PATCHES FULL QTE - OVERALL SILICEOUS |
| L | 5580 | 5640 | 09 | 2H8 | BASE METAL POOR - .5% CPY. |
| L | 5640 | 5660 | 10 | 2F0 | |
| L | 5660 | 5680 | 11 | 2H4 | < 5% Pb/Zn - MAGNETITE DISSEM. |
| L | 5680 | 5690 | 12 | 2E4 | QTE BRECCIA - VETIN LIKE - BASE METALS > PY. |
| L | 5690 | 5730 | 13 | 2H4 | |
| L | 5730 | 5747 | 14 | 2H4 | MORE BASE METALS (13% Pb/Zn) THAN UNIT 13 |
| L | 5747 | 5780 | 15 | 2H4 | 5% Pb/Zn |
| L | 5780 | 5830 | 16 | 2G0 | 5% PY - SPOTTY BASE METALS |
| L | 5830 | 5895 | 17 | 2H4 | SILICEOUS FRAGS < 7% Pb/Zn. |
| L | 5895 | 5940 | 18 | 2G4 | 10% PY. |
| L | 5940 | 5958 | 19 | 2F0 | |
| L | 5958 | 6010 | 20 | 2E2 | < 5% Pb/Zn |
| L | 6010 | 6200 | 21 | 2G0 | BANDED, NO GRANITE, NO BASE METALS 5% PY. |
| L | 6200 | 6214 | 22 | 2H8 | 1% CPY |
| L | 6214 | 6265 | 23 | 2E2 | NO BASE METALS, SPOTTY PO |
| L | 6265 | 6280 | 24 | 2F0 | |
| L | 6280 | 6405 | 25 | 2E2 | 628 → 652 = 15' RECD. |
| L | 6405 | 6520 | 26 | 2F0 | |
| L | 6520 | 6660 | 27 | 2A0 | BASE METAL POOR - LOCALITY Δ'D. |
| L | 6660 | 6670 | 28 | 2H0 | BASE METAL POOR |
| L | 6670 | 6740 | 29 | 2D4 | TOP 2' INTERVAL = 10-15% Pb/Zn, Δ'D |
| L | 6740 | 6750 | 30 | 2H1 | |
| L | 6750 | 6870 | 31 | 2A4 | TOP 2' INTERVAL = Δ'D QTE 4% Pb/Zn |
| L | 6870 | 7110 | 32 | 1DA | |
| L | 7110 | 7500 | 33 | 1CD | EOH |

CYPRUS ANVIL MINING CORPORATION

DIAMOND DRILL CORE LOG

Hole Number: 66-52

Fabric Orientation Diagram:

Project: ZONE 3 RE-LOG

Location: ZONE 3

Claim: _____

Terr. Plane Co-ords.: _____ N

_____ E

Grid Co-ords.: 8996.91 N

MINE 14199.10 E

Elevation: 4038.84

All symmetry determinations looking NW with S₂ dipping SW with dip azimuth 210°.

Total Depth: 725.0

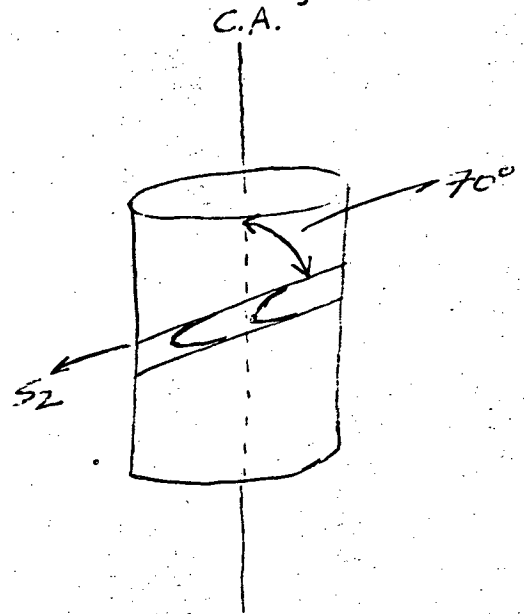
Purpose: ZONE 3 DEFIN

Logged by: _____ Date(s) Logged: _____

Drilling Contractor: _____ Core: Size From To Collar Cased and Capped: _____

| | | |
|-------|-------|-------|
| _____ | _____ | _____ |
| _____ | _____ | _____ |
| _____ | _____ | _____ |

Started: _____ Completed: _____



Lithologic Log

| Code | From | To | Unit | Code | Description |
|------|------|------|------|------|---|
| L | 1100 | 1145 | 01 | #1 | O/B |
| L | 1145 | 2160 | 02 | 1C/D | 145-213 - shattered + disint. core. |
| L | 2160 | 2590 | 03 | 1D/D | |
| - | 111 | 111 | 1 | 11 | |
| L | 2595 | 2710 | 04 | 1C/D | - "tuffaceous interbands, gritty, 1D |
| L | 2710 | 3110 | 05 | 1D/D | interbands. |
| L | 3110 | 3250 | 06 | 1C/D | |
| L | 3250 | 3410 | 07 | 0F/8 | - upper contact, 11 S ₂ ? - broken |
| - | 111 | 111 | 1 | 11 | lower " broken. |
| L | 3410 | 4120 | 08 | 1C/D | |
| L | 4120 | 4390 | 09 | 1D/D | biotite + musc., chloritole. local bands 1C/D. |
| - | 111 | 111 | 1 | 11 | |
| L | 4390 | 4720 | 10 | 1C/D | |
| L | 4720 | 4825 | 11 | 1C/D | - bleached. - musc + bio. |
| L | 4825 | 5080 | 12 | 1D/A | - diffuse envelope, siliceous. |
| L | 5080 | 5130 | 13 | 1D/A | |
| L | 5130 | 5200 | 14 | 2H/D | |
| L | 5200 | 5310 | 15 | 2D/D | 10% total sulphides, < 5% comb. |
| L | 5310 | 5460 | 16 | 2E/R | |
| L | 5460 | 5470 | 17 | 2E/R | base betals zilch |
| L | 5470 | 5680 | 18 | 2F/D | |
| L | 5680 | 5730 | 19 | 2E/R | - ZnS < 5% |
| L | 5730 | 5790 | 20 | 2F/D | |
| L | 5790 | 5805 | 21 | 2I/R | - base metal poor |
| L | 5805 | 5815 | 22 | 2F/D | |
| L | 5815 | 5825 | 23 | 2F/D | base metal poor |
| L | 5825 | 5855 | 24 | 2F/D | |
| L | 5855 | 5935 | 25 | 2G/R | base metal poor |
| L | 5935 | 6080 | 26 | 2E/R | < 5% ^{base metals} 2F/D sands. |
| L | 6080 | 6095 | 27 | 2E/A | ~ 10% base metals |
| L | 6095 | 6170 | 28 | 2A/D | scattered py, initial |
| L | 6170 | 6240 | 29 | 2C/D | < 5% py. |
| L | 6240 | 6300 | 30 | 2A/D | < 5% total sulphides spotty base metals. |
| L | 6300 | 6310 | 31 | 2B/D | - No sulphides / - acc to 1D4 |
| L | 6310 | 6390 | 32 | 2F/D | < 5% total sulphides, spotty ZnS |
| L | 6390 | 7250 | 33 | 1C/D | ± 0H. |

Structural Log

Logged By: J. P. J. W. J.

| Code | From | | | | To | | | | Feature | SYM | S ₁ | | S ₂ | | Description |
|------|------|----|----|----|-----|----|----|-------------------|---------|-----|----------------|---------|----------------|---------|------------------------------------|
| | 10 | 14 | 16 | 20 | 22 | 24 | 26 | 28 | | | Dip | Direct. | Dip | Direct. | |
| S | 1 | 1 | 1 | 1 | 15 | 6 | 0 | P, S ₂ | | | 60 | 210 | | | |
| S | 1 | 1 | 1 | 1 | 20 | 5 | 0 | P, S ₂ | | | 60 | 210 | | | |
| S | 1 | 1 | 1 | 1 | 23 | 5 | 0 | P, S ₂ | | | 73 | 210 | | | |
| S | 1 | 1 | 1 | 1 | 26 | 5 | 0 | P, S ₂ | | | 70 | 210 | | | |
| S | 1 | 1 | 1 | 1 | 29 | 5 | 0 | P, S ₂ | | | 73 | 210 | | | |
| S | 1 | 1 | 1 | 1 | 32 | 5 | 0 | P, S ₂ | | | 78 | 210 | | | |
| S | 1 | 1 | 1 | 1 | 35 | 5 | 0 | P, S ₂ | | | 80 | 210 | | | |
| S | 1 | 1 | 1 | 1 | 38 | 7 | 0 | P, S ₂ | | | 78 | 210 | | | |
| S | 1 | 1 | 1 | 1 | 41 | 0 | 0 | P, S ₂ | | | 78 | 210 | | | |
| S | 1 | 1 | 1 | 1 | 44 | 2 | 0 | P, S ₂ | | | 75 | 210 | | | |
| S | 1 | 1 | 1 | 1 | 47 | 2 | 0 | P, S ₂ | | | 80 | 210 | | | |
| S | 1 | 1 | 1 | 1 | 50 | 0 | 0 | P, S ₂ | | | 68 | 210 | | | shades |
| S | 1 | 1 | 1 | 1 | 61 | 3 | 0 | P, S ₂ | | | 83 | 210 | | | |
| S | 1 | 1 | 1 | 1 | 64 | 1 | 0 | P, S ₂ | | | 27 | 210 | | | |
| S | 1 | 1 | 1 | 1 | 66 | 8 | 0 | P, S ₂ | | | 70 | 210 | | | 674 → 696 - steep S ₂ |
| S | 1 | 1 | 1 | 1 | 70 | 0 | 0 | P, S ₂ | | | 62 | 210 | | | throughout S ₉ ≈ 45-80° |
| S | 1 | 1 | 1 | 1 | 72 | 5 | 0 | P, S ₂ | | | 75 | 210 | | | to CA. |
| | | | | | EPN | | | | | | | | | | S ₂ S ₉ |

*

CYPRUS ANVIL MINING CORPORATION

DIAMOND DRILL CORE LOG

Hole Number: 67-02

Fabric Orientation Diagram:

Project: ZONE 3 RE-LOG

Location: ZONE 3

Claim: _____

Terr. Plane Co-ords.: _____ N

_____ E

Grid Co-ords.: 8171.50 N

MINE

15753.09 E

Elevation: 4128.0 *

All symmetry determinations looking

NW with S2 dipping

SW with dip azimuth 210°.

Total Depth: ~~600~~ 605.0

Purpose: ZONE 3 DEFIN.

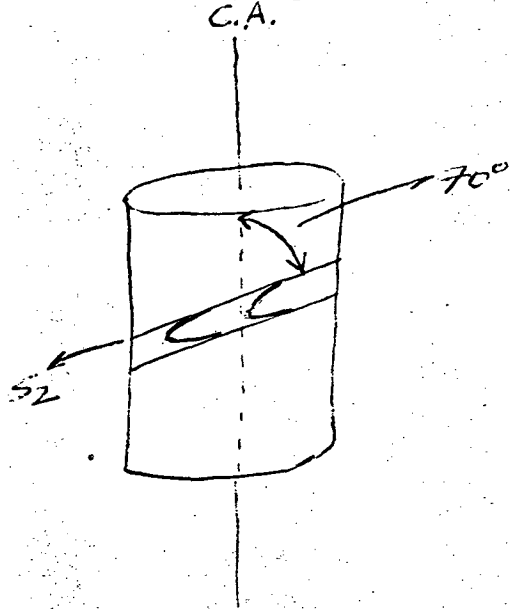
Logged by: _____

Date(s) Logged: _____

Drilling Contractor: _____

| Core | Size | From | To | Collar Cased and Capped: |
|-------|-------|-------|-------|--------------------------|
| _____ | _____ | _____ | _____ | _____ |
| _____ | _____ | _____ | _____ | _____ |
| _____ | _____ | _____ | _____ | _____ |

Started: _____ Completed: _____



CYPRUS ANVIL MINING CORPORATION

DIAMOND DRILL CORE LOG

Hole Number: 67-3

Fabric Orientation Diagram:

Project: ZONE 3 RE-LOG

Location: ZONE 3

Claim: _____

Terr. Plane Co-ords.: _____ N

_____ E

Grid Co-ords.: 8177.08 N

MINE

14934.88 E

All symmetry determinations looking

NW with S2 dipping

Elevation: 4039.0

SW with dip azimuth 210°.

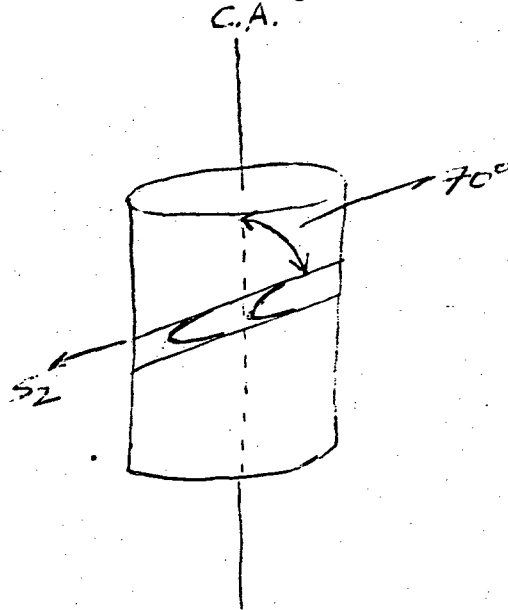
Total Depth: 999.0

Purpose: ZONE 3 DEFIN.

Logged by: _____ Date(s) Logged: _____

| Drilling Contractor: | Core: | Size | From | To | Collar Cased and Capped: |
|----------------------|-------|-------|-------|-------|--------------------------|
| _____ | _____ | _____ | _____ | _____ | _____ |
| _____ | _____ | _____ | _____ | _____ | _____ |
| _____ | _____ | _____ | _____ | _____ | _____ |

Started: _____ Completed: _____



| Code | From | To | Unit | Code | Description |
|------|-------|-------|------|----------------|--------------------------|
| 1 | 10 | 14 | 16 | 20 22 23 25 27 | |
| L | 100 | 1360 | 01 | # | O/B |
| L | 1360 | 11020 | 02 | 3100 | |
| L | 11020 | 1480 | 03 | 340 | |
| L | 1480 | 1620 | 04 | 1E9 | WEAK PY |
| L | 1620 | 2265 | 05 | 1D0 | |
| L | 2265 | 2430 | 06 | 1CD | |
| L | 2430 | 2705 | 07 | 1D0 | |
| L | 2705 | 2885 | 08 | 1CD | |
| L | 2885 | 3105 | 09 | 1D0 | |
| L | 3105 | 3175 | 10 | 1D0 | |
| L | 3175 | 3940 | 11 | 1CD | |
| L | 3940 | 4150 | 12 | 1D0 | |
| L | 4150 | 4350 | 13 | 1CD | |
| L | 4350 | 4400 | 14 | 1DA | |
| L | 4400 | 4470 | 15 | 2DA | TOTAL SULPHIDES = 50.76% |
| L | 4470 | 4520 | 16 | 2B0 | NO SULPHIDES |
| L | 4520 | 4560 | 17 | 2EA | FIRST 1.5' ARE SILICEOUS |
| L | 4560 | 4655 | 18 | 2GA | |

| m c o | From | | To | | Unit | Code | Description |
|-------------|------|----|------|----|-------|-------|---|
| | 10 | 14 | 16 | 20 | 22 23 | 25 27 | |
| L | 1465 | | 1496 | 0 | 19 | 1D1 | SILICEOUS |
| L | 1496 | 0 | 5125 | | 20 | 1D2 | SILICEOUS |
| L | 5125 | | 5190 | | 21 | 2B10 | NO SULPHIDES |
| L | 5190 | | 5235 | | 22 | 2D14 | |
| L | 5235 | | 5316 | | 23 | 2H4 | |
| L | 5316 | | 5350 | | 24 | 2E4 | |
| L | 5350 | | 5440 | | 25 | 2H8 | WEAK BASE METALS |
| L | 5440 | | 5565 | | 26 | 2E4 | → 2FO BANDS SAB = 1.5' 10% Fe ₃ O ₄ |
| L | 5565 | | 5575 | | 27 | 2H4 | |
| L | 5575 | | 5610 | | 28 | 2F0 | |
| L | 5610 | | 5650 | | 29 | 2H8 | |
| L | 5650 | | 5770 | | 30 | 2C0 | 10% PYRITE |
| L | 5770 | | 5795 | | 31 | 2E4 | |
| L | 5795 | | 5850 | | 32 | 2F0 | |
| L | 5850 | | 5880 | | 33 | 2F0 | |
| L | 5880 | | 5920 | | 34 | 2C10 | 1% CPY — 10% PY |
| L | 5920 | | 5928 | | 35 | 2H8 | BASE METAL DEFICIENT — PYRITE PORPHYROBLASTS |
| L | 5928 | | 5945 | | 36 | 2E1 | BASE METAL DEFICIENT " " |

CYPRUS ANVIL MINING CORPORATION

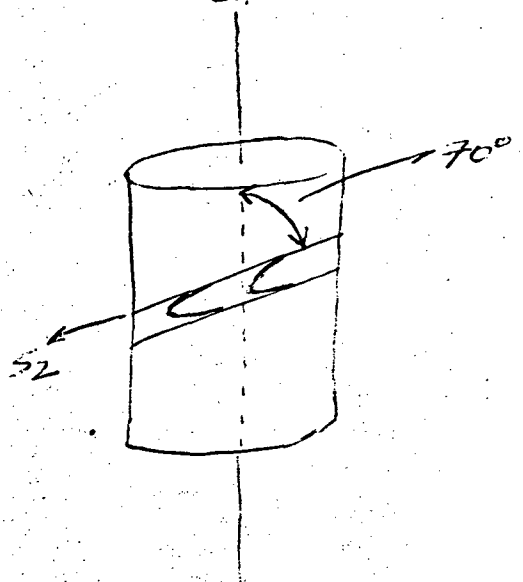
DIAMOND DRILL CORE LOG

Hole Number: 67-4

Fabric Orientation Diagram:
C.A.

Project: ZONE 3 RE-LOG

Location: ZONE 3



Claim: _____

Terr. Plane Co-ords.: _____ N

_____ E

Grid Co-ords.: 8162.56 N

MINE 15361.25 E

Elevation: 4081.0

All symmetry determinations looking
NW with S2 dipping
SW with dip azimuth 210°.

Total Depth: 742.0

Purpose: ZONE 3 DEFIN.

Logged by: _____ Date(s) Logged: _____

| Drilling Contractor: | Core: | Size | From | To | Collar Cased and Capped: |
|----------------------|-------|-------|-------|-------|--------------------------|
| _____ | _____ | _____ | _____ | _____ | _____ |
| _____ | _____ | _____ | _____ | _____ | _____ |
| _____ | _____ | _____ | _____ | _____ | _____ |

Started: _____ Completed: _____

Lithologic Log

Logged By: _____

| Core | From | To | Unit | Code | Description |
|------|-------------------------|-------|------|-------|--|
| 1 | 10 14 16 20 22 23 25 27 | | | | |
| L | 11100 | 11657 | 01 | #1 | triconed - no core |
| L | 11657 | 11075 | 02 | 3D10 | breccia cap on zone 3 |
| L | 11075 | 11408 | 03 | 01E18 | ct. unconformable to S ₂ ; lower ct not visible |
| L | 11408 | 11475 | 04 | 3D10 | cf. unit 2 |
| L | 11475 | 11494 | 05 | 01E18 | cf. unit 3; unconformable (S ₂) cts |
| L | 11494 | 11575 | 06 | 3D10 | cf. units 2, 4 |
| L | 11575 | 11790 | 07 | 3D10 | gradational cts; unbrecciated |
| L | 11790 | 12845 | 08 | 3D10 | cf. units 2, 4, 6 |
| L | 12845 | 13105 | 09 | 01E18 | cf. units 3, 5 |
| L | 13105 | 13760 | 10 | 3D10 | brecciated; cf. units 2, 4, 6, 8; 3C from 371.3 - 372.3 ft |
| L | 13760 | 13794 | 11 | 01E18 | cf. units 3, 5, 9; unconformable cts |
| L | 13794 | 14096 | 12 | 3D10 | brecciated; cf. units 2, 4, 6, 8, 10 |
| L | 14096 | 14185 | 13 | 1D14 | white mica envelope; note: fault cts? (unit 1 miss) |
| L | 14185 | 14210 | 14 | 2C1E | ~60-80% total sdes |
| L | 14210 | 14255 | 15 | 2F10 | |
| L | 14255 | 14310 | 16 | 2C1E | as unit 14 |
| L | 14310 | 14340 | 17 | 2F11 | ~10% SiO ₂ |
| L | 14340 | 14560 | 18 | 1D14 | minor interbanded 2C0 |
| L | 14560 | 14596 | 19 | 2C1E | → 2CE9 |
| L | 14596 | 14613 | 20 | 2E14 | minor Pb+Zn values |
| L | 14613 | 14650 | 21 | 2G10 | ~20% BaSO ₄ |
| L | 14650 | 14690 | 22 | 2C1E | ~60-80% total sdes; minor 2FO interbands |
| L | 14690 | 14789 | 23 | 1D14 | "white mica envelope"; minor breccia (fault?) |
| L | 14789 | 14839 | 24 | 2E13 | → 2E39; fault w/ malacite? fuchsite? |
| L | 14839 | 14916 | 25 | 2E11 | ~10-20% SiO ₂ ; <3% Pb+Zn |
| L | 14916 | 14946 | 26 | 2C1E | ~60-80% sdes; <3% Pb+Zn |
| L | 14946 | 15280 | 27 | 2E10 | minor 2FO towards end of int |
| L | 15280 | 15340 | 28 | 2F10 | minor 2C/2D |
| L | 15340 | 15375 | 29 | 2E14 | |
| L | 15375 | 15467 | 30 | 2C1E | ~60% total sdes |
| L | 15467 | 15610 | 31 | 2E14 | ~20% SiO ₂ |
| L | 15610 | 15655 | 32 | 2F11 | <10% SiO ₂ |
| L | 15655 | 15710 | 33 | 2E18 | ~10% Fe ₃ O ₄ |

CYPRUS ANVIL MINING CORPORATION

DIAMOND DRILL CORE LOG

Hole Number: 67-5

Fabric Orientation Diagram:

Project: ZONE 3 RE-LOG

Location: ZONE 3

Claim: _____

Terr. Plane Co-ords.: _____ N

_____ E

Grid Co-ords.: 7942.01 N

MINE 15176.65 E

Elevation: 4028.0

All symmetry determinations looking

NW with S2 dipping

SW with dip azimuth 210°.

Total Depth: 569.0

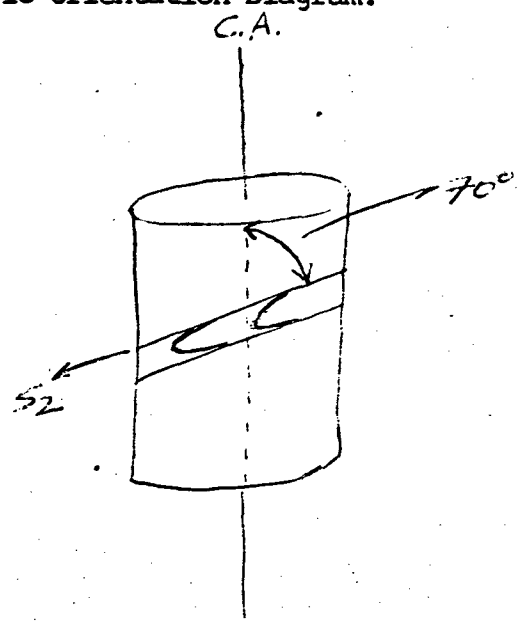
Purpose: ZONE 3 DEFIN.

Logged by: _____ Date(s) Logged: _____

Drilling Contractor: _____ Core: Size From To Collar Cased and Capped: _____

| | | | |
|-------|-------|-------|-------|
| _____ | _____ | _____ | _____ |
| _____ | _____ | _____ | _____ |
| _____ | _____ | _____ | _____ |

Started: _____ Completed: _____



DDH 6.7-10.5
2 8

Cyprus Anvil Mining Corp.

Page 3 of 5

Lithologic Log

Logged By: DJH/PTL

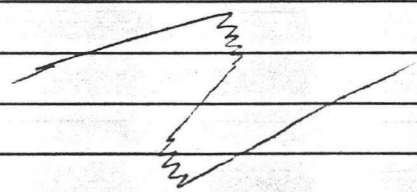
| Code | From | To | Unit | Code | Description |
|------|----------|----------------|------|-------|---|
| 1 | 10 14 16 | 20 22 23 25 27 | | | |
| L | 11100 | 110190 | 011 | #1 | tricmed - no core |
| L | 110190 | 117160 | 012 | 1D10 | clotted andalusite |
| L | 117160 | 118110 | 013 | 1F10 | thin hematitic laminations |
| L | 118110 | 119110 | 014 | 1D10 | cf unit 2 |
| L | 119110 | 119140 | 015 | 1F10 | cf unit 3 |
| L | 119140 | 121335 | 016 | 1D10 | cf units 2, 4; faulted lower ct. |
| L | 121335 | 131115 | 017 | 1DA | altered "white mica envelope"; minor py, marc stringers & blabs; thin hematitic laminations |
| L | 131115 | 131195 | 018 | 21C1E | 2ft fault gouge; ~70% sdes; minor Pb+Zn ~5% comb |
| L | 131195 | 131315 | 019 | 1D12 | |
| L | 131315 | 134135 | 110 | 1F10 | ~30% interbanded 1D0; minor tuffaceous material |
| L | 134135 | 134170 | 111 | 1D12 | |
| L | 134170 | 135105 | 112 | 1D14 | metatuffaceous; lower ct. faulted |
| L | 135105 | 135150 | 113 | 1D12 | minor interbanded 1D0. |
| L | 135150 | 136150 | 114 | 21C1D | <20% massive py interbands; ~20% total sdes |
| L | 136150 | 137180 | 115 | 21H10 | ~80% po |
| L | 137180 | 139125 | 116 | 21D1E | ~60% total sdes; ~5% Pb+Zn; blue gtz + b frags + bands. |
| L | 139125 | 139145 | 117 | 21H10 | ~80% po; minor gtzite frags |
| L | 139145 | 139195 | 118 | 21C1F | ~20% po; brecciated |
| L | 139195 | 141140 | 119 | 21H10 | → 2FO locally; <10% SiO ₂ |
| L | 141140 | 142180 | 210 | 21F10 | → 2E0 locally |
| L | 142180 | 143160 | 211 | 21E1B | minor 2FO bands/lams. |
| L | 143160 | 144120 | 212 | 21F10 | |
| L | 144120 | 144160 | 213 | 21H10 | ~80% po |
| L | 144160 | 144195 | 214 | 21E10 | ~10% total sdes; brecciated. |
| L | 144195 | 145135 | 215 | 21A10 | |
| L | 145135 | 146140 | 216 | 21C10 | ~10-15% sdes |
| L | 146140 | 146160 | 217 | 21E10 | → 2E1 locally; ~10% SiO ₂ |
| L | 146160 | 146190 | 218 | 21A10 | |
| L | 146190 | 148118 | 219 | 21C1E | ~60% total sdes |
| L | 148118 | 148190 | 310 | 21A0 | |
| L | 148190 | 151170 | 311 | 1D4 | → 1CD4; "white mica envelope" |

DDH 67-05
2 8

Structural Log

Logged By: _____

| Code | From | | | | To | | | | Feature | E S | S ₁ | | S ₂ | | Description |
|------|-------|--|-------|--|-------|---------------|--------------|---|---------|-----|----------------|----|----------------|----------------------------|-------------|
| | 10 14 | | 16 20 | | 22 24 | | 26 28 | | | | Dip Direct. | | Dip Direct. | | |
| S | | | | | 11070 | P | S | R | | | 71 | 21 | 10 | | |
| S | | | | | 11240 | P | S | R | | | 75 | 21 | 10 | | |
| S | | | | | 11370 | P | S | R | | | 58 | 21 | 10 | | |
| S | | | | | 11560 | P | S | R | | | 70 | 21 | 10 | | |
| S | | | | | 11790 | P | S | R | | | 65 | 21 | 10 | | |
| S | | | | | 12040 | P | S | R | | | 61 | 21 | 10 | | |
| S | | | | | 12510 | P | S | R | | | 66 | 21 | 10 | | |
| S | | | | | 12840 | P | S | R | | | 60 | 21 | 10 | | |
| S | | | | | 13130 | P | S | R | | | 72 | 21 | 10 | | |
| S | | | | | 13520 | P | S | R | | | 65 | 21 | 10 | | |
| S | | | | | 14160 | P | S | R | | | 66 | 21 | 10 | | |
| S | | | | | 14320 | P | S | R | | | 71 | 21 | 10 | | |
| S | | | | | 14680 | P | S | R | | | 71 | 21 | 10 | | |
| S | | | | | 14910 | P | S | R | | | 85 | 21 | 10 | | |
| S | | | | | 15210 | F4 | S | 3 | | | 22 | 21 | 10 | numerous F4 closures | |
| S | | | | | 15440 | P | S | R | | | 31 | 21 | 10 | - from 407 - 538 : maybe 3 | |
| S | | | | | 15550 | F4 | E | | | | 78 | 21 | 10 | region | |
| | | | | | | | | | | | | | | - from 555 - 565 : maybe E | |
| | | | | | | | | | | | | | | region | |
| | | | | | | | | | | | | | | | |
| | | | | | | | | | | | | | | | |
| | | | | | | | | | | | | | | | |
| | | | | | | | | | | | | | | | |
| | | | | | | | | | | | | | | | |
| | | | | | | | | | | | | | | | |
| | | | | | | | | | | | | | | | |
| | | | | | | | | | | | | | | | |
| | | | | | | | | | | | | | | | |
| | | | | | | | | | | | | | | | |
| | | | | | | | | | | | | | | | |
| | | | | | | | | | | | | | | | |



CYPRUS ANVIL MINING CORPORATION

DIAMOND DRILL CORE LOG

Hole Number: 67-6

Fabric Orientation Diagram:

Project: ZONE 3 RE-LOG

Location: ZONE 3

Claim: _____

Terr. Plane Co-ords.: _____ N

_____ E

Grid Co-ords.: 8566.23 N

MINE

15016.04 E

Elevation: 4135.0

All symmetry determinations looking

NW with S2 dipping

SW with dip azimuth 210°.

Total Depth: 852.5

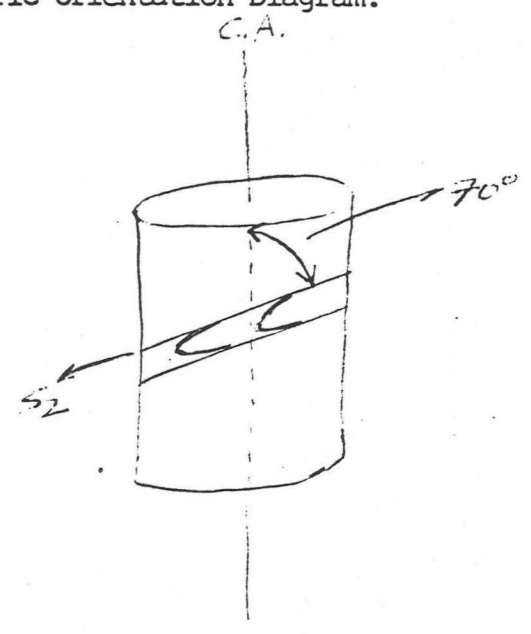
Purpose: ZONE 3 DEFIN.

Logged by: _____ Date(s) Logged: _____

Drilling Contractor: _____ Core: Size From To Collar Cased and Capped: _____

| | | |
|-------|-------|-------|
| _____ | _____ | _____ |
| _____ | _____ | _____ |
| _____ | _____ | _____ |

Started: _____ Completed: _____



| Code | From | To | Unit | Code | Description |
|------|----------|----------------|------|------|---|
| 1 | 10 14 16 | 20 22 23 25 27 | | | |
| L | 100 | 133 | 001 | # | O/B |
| L | 1330 | 1432 | 02 | 3D10 | INTERMITTANT D'TION OVER INTERVAL. LOWER CT DISCORDANT. |
| L | 1432 | 1986 | 03 | 0EB | |
| L | 1986 | 121102 | 04 | 3D10 | INCIDENT D'TION WITH 2' 10EB BAND AT MIDDLE INTERVAL. |
| L | 121105 | 12225 | 05 | 0EB | UPPER 1/3 LOWER CT DISCORDANT BUT GENERALLY SUB // S2 SUGGESTING POSSIBLE SILL-LIKE FORM. |
| L | 12225 | 13155 | 06 | 3D0 | INCIDENT D'TION - N.B. - ALL 3D SO FAR = Δ CAP |
| L | 13155 | 13200 | 07 | 0EB | |
| L | 13200 | 14214 | 08 | 3D10 | INCIDENT D'TION. |
| L | 14214 | 14580 | 09 | 0EB | LOWER CT SUB // S2 BUT IRREGULAR |
| L | 14580 | 14870 | 10 | 1DA | WEAKLY ALT'D 1D0 - VARIOUSLY D'D OVER INTERVAL |
| L | 14870 | 14900 | 11 | 2A10 | |
| L | 14900 | 14933 | 12 | 2E10 | |
| L | 14933 | 15107 | 13 | 2A0 | |
| L | 15107 | 15175 | 14 | 2C10 | |
| L | 15175 | 15300 | 15 | 1D14 | |

DDH 67-05
2 8

Cyprus Anvil Mining Corp.

Page 4 of 6

Lithologic Log

Logged By: _____

| Core | From | To | Unit | Code | Description |
|------|----------|----------|-------|------|-------------|
| 1 | 10 14 16 | 20 22 23 | 25 27 | | |
| L | 15175 | 15350 | 16 | 01E8 | LTZ A'D. |
| | | | | | |
| L | 15350 | 15883 | 17 | 1D4 | |
| | | | | | |
| L | 15883 | 15905 | 18 | 2C0 | |
| | | | | | |
| L | 15905 | 15929 | 19 | 2F0 | |
| | | | | | |
| L | 15929 | 15934 | 20 | 2G0 | |
| L | 15934 | 15965 | 21 | 1D4 | |
| L | 15965 | 15980 | 22 | 2E0 | |
| | | | | | |
| L | 15980 | 16020 | 23 | 1D4 | |
| | | | | | |
| L | 16020 | 16050 | 24 | 2G0 | → 2G4 |
| | | | | | |
| L | 16050 | 16075 | 25 | 2E0 | |
| | | | | | |
| L | 16075 | 16300 | 26 | 2C0 | |
| | | | | | |
| L | 16300 | 16310 | 27 | 2F0 | |
| | | | | | |
| L | 16310 | 16320 | 28 | 2G0 | |
| | | | | | |
| L | 16320 | 16630 | 29 | 2C0 | |
| | | | | | |
| L | 16630 | 16656 | 30 | 2E4 | |
| | | | | | |
| L | 16656 | 16795 | 31 | 2F0 | |
| | | | | | |
| L | 16795 | 16815 | 32 | 2G0 | |
| | | | | | |
| L | 16815 | 17020 | 33 | 2E4 | |
| | | | | | |
| L | 17020 | 17110 | 34 | 2C0 | |
| | | | | | |

| Code | From | To | Feature | SYM | S ₁ | | S ₂ | | Description |
|------|------|-------|---------|-------|----------------|---------|----------------|---------|----------------------------------|
| | | | | | Dip | Direct. | Dip | Direct. | |
| | 10 | 14 16 | 20 | 22 24 | 26 | 28 | 32 34 | 38 | |
| S | | 410 | PS2 | | | | 37 | 210 | |
| S | | 640 | PS2 | | | | 70 | 210 | |
| S | | 860 | PS2 | | | | 55 | 210 | |
| S | | 11100 | PS2 | | | | 67 | 210 | |
| S | | 11360 | PS2 | | | | 70 | 210 | |
| S | | 12360 | PS2 | | | | 60 | 2110 | PLUS DIORITE INTERVAL |
| S | | 12630 | PS2 | | | | 40 | 2110 | |
| S | | 13000 | PS2 | | | | 70 | 210 | |
| S | | 13355 | PS2 | | | | 64 | 210 | |
| S | | 13520 | PS2 | | | | 55 | 210 | |
| S | | 13940 | PS2 | | | | 60 | 2110 | |
| S | | 14110 | PS2 | | | | 70 | 2110 | |
| | | | | | | | | | DIORITE |
| S | | 14640 | PS2 | | | | 60 | 2110 | |
| S | | 14860 | PS2 | | | | 67 | 210 | |
| S | | 15030 | PS2 | | | | 62 | 210 | |
| S | | 15240 | PS2 | | | | 70 | 2110 | |
| S | | 15470 | PS2 | | | | 75 | 210 | |
| S | | 15570 | PS2 | | | | 20 | 210 | 557 - 562 STEEP S ₂ |
| S | | 15620 | PS2 | | | | 10 | 210 | "S ₄ " - (50) (210) Z |
| S | | 15780 | PS2 | | | | 68 | 210 | |
| S | | 16010 | PS2 | | | | 70 | 210 | |
| S | | 16315 | PS2 | | | | 68 | 210 | |
| S | | 16820 | PS2 | | | | 65 | 210 | |
| S | | 17320 | PS2 | | | | 70 | 210 | |
| S | | 17520 | PS2 | | | | 72 | 210 | |
| S | | 17660 | PS2 | | | | 60 | 210 | |
| S | | 17870 | PS2 | | | | 70 | 210 | |
| S | | 18120 | PS2 | | | | 70 | 210 | |
| S | | 18360 | PS2 | | | | 50 | 210 | |

CYPRUS ANVIL MINING CORPORATION

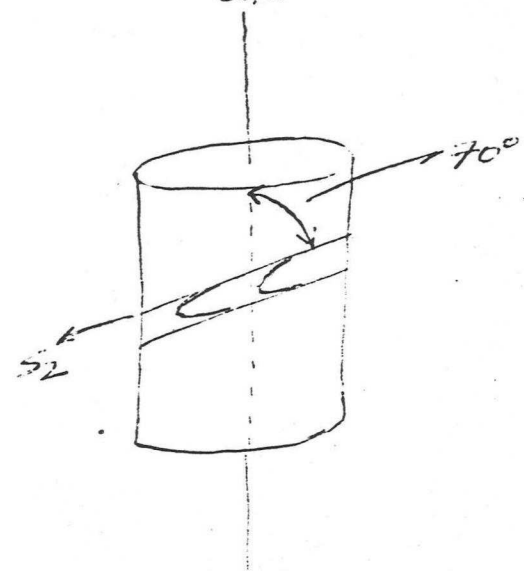
DIAMOND DRILL CORE LOG

Hole Number: 67-07

Fabric Orientation Diagram: C.A.

Project: ZONE 3 RE-LOG

Location: ZONE 3



Claim: _____

Terr. Plane Co-ords.: _____ N

_____ E

Grid Co-ords.: 7743.11 N

RIINE

15007.00 E

All symmetry determinations looking NW with S2 dipping SW with dip azimuth 210°.

Elevation: 4005.0

Total Depth: 551.0

Purpose: ZONE 3 DEFIN.

Logged by: _____ Date(s) Logged: _____

| Drilling Contractor: | Core: | Size | From | To | Collar Cased and Capped: |
|----------------------|-------|-------|-------|-------|--------------------------|
| _____ | _____ | _____ | _____ | _____ | _____ |
| _____ | _____ | _____ | _____ | _____ | _____ |
| _____ | _____ | _____ | _____ | _____ | _____ |

Started: _____ Completed: _____

CYPRUS ANVIL MINING CORPORATION

DIAMOND DRILL CORE LOG

Hole Number: 67-8

Fabric Orientation Diagram:

Project: ZONE 3 RE-LOG

Location: ZONE 3

Claim: _____

Terr. Plane Co-ords.: _____ N

_____ E

Grid Co-ords.: 8342.20 N

MINE 15602.20 E

Elevation: 4164.0

All symmetry determinations looking
NW with S2 dipping
SW with dip azimuth 210°.

Total Depth: 806.0

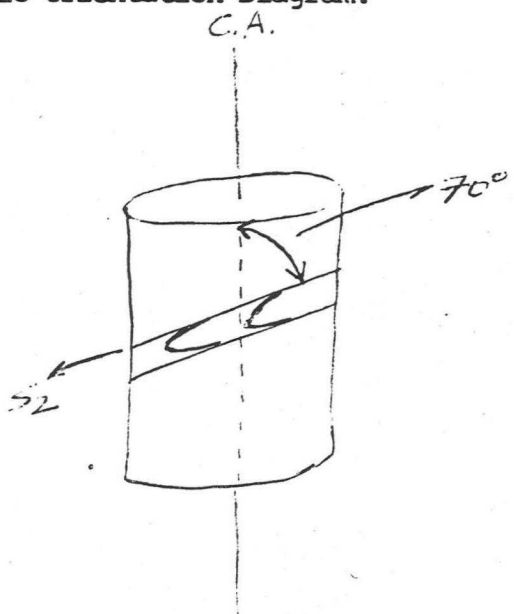
Purpose: ZONE 3 DEFIN.

Logged by: _____ Date(s) Logged: _____

Drilling Contractor: _____ Core: Size From To Collar Cased and Capped: _____

| | | |
|-------|-------|-------|
| _____ | _____ | _____ |
| _____ | _____ | _____ |
| _____ | _____ | _____ |

Started: _____ Completed: _____



DDH 67-8 _____
 2 _____ 8

Cyprus Anvil Mining Corp.

 Page 3 of 4

Lithologic Log

 Logged By: DJH/PTL

| Code | From | To | Unit | Code | Description |
|------|---------|---------|------|-------------|---|
| | 10 | 14 16 | 20 | 22 23 25 27 | |
| L | 100 | 160 | 011 | #1 | framed - no core |
| L | 160 | 131510 | 012 | 31D10 | brecciated; "zone 3 breccia cap"; |
| | | | | | 184.5-240 split (minor py, po visible); |
| | | | | | 274-283 split; 296-300 split; all |
| | | | | | w/ minor py, po, chpy. |
| L | 131510 | 137143 | 013 | 01E18 | hb > bio; no ct. attitudes possible |
| L | 137143 | 151075 | 014 | 31D10 | cf unit 2; fault gouge 487-490 |
| L | 151075 | 157150 | 015 | 31A10 | transition zone; brecciated w/ minor 1D |
| | | | | | frags; fault gouge 544-552, 559.5- |
| | | | | | 562, 566-568, 579-582, 583.4-586 |
| L | 157150 | 158190 | 016 | 1D10 | brecciated |
| L | 158190 | 162190 | 017 | 01E18 | bio → hb; upper ct. subll S ₂ (caution - |
| | | | | | breccia) |
| L | 162190 | 161310 | 018 | 2B13 | < 5% total sdes |
| L | 161310 | 161325 | 019 | 2C17 | ~50% total sdes (mainly po) |
| L | 161325 | 161465 | 110 | 2C1E | ~60% total sdes; → 2C locally |
| L | 161465 | 161525 | 111 | 2C1E | → 2E8 locally; ~50% total sdes |
| L | 161525 | 161620 | 112 | 2C13 | → 2CE locally; ~40% total sdes |
| L | 161620 | 161810 | 113 | 2D10 | ~70% total sdes |
| L | 161810 | 161910 | 114 | 2B14 | → 1D4 locally |
| L | 161910 | 1619180 | 115 | 1D10 | no andalustite |
| L | 1619180 | 171040 | 116 | 1D14 | ?; fault breccia + gouge in middle of int. |
| L | 171040 | 1718150 | 117 | 1C1D | minor bio; gouge 740-745, 765-767, 778-781 |
| L | 1718150 | 1810160 | 118 | 1C10 | qteo-feldspathic musc bio gneiss |
| | | | | | |
| | | | | | |
| | | | | | |
| | | | | | |
| | | | | | |
| | | | | | |
| | | | | | |
| | | | | | |
| | | | | | |
| | | | | | |
| | | | | | |
| | | | | | |
| | | | | | |
| | | | | | |
| | | | | | |
| | | | | | |
| | | | | | |
| | | | | | |
| | | | | | |
| | | | | | |
| | | | | | |
| | | | | | |
| | | | | | |
| | | | | | |
| | | | | | |
| | | | | | |
| | | | | | |
| | | | | | |
| | | | | | |
| | | | | | |
| | | | | | |
| | | | | | |
| | | | | | |
| | | | | | |
| | | | | | |
| | | | | | |
| | | | | | |
| | | | | | |
| | | | | | |
| | | | | | |
| | | | | | |
| | | | | | |
| | | | | | |
| | | | | | |

DF

| Code | From | | | | To | | | | Feature | SYM | S ₁ | | S ₂ | | Description |
|------|------|----|----|--------|----|----|----|-------|---------|-----|----------------|---------|----------------|---------|---|
| | 10 | 14 | 16 | 20 | 22 | 24 | 26 | 28 | | | Dip | Direct. | Dip | Direct. | |
| S | | | | 430 | | | | P/S12 | | | | | 59 | 210 | breccia - readings suspect |
| S | | | | 525 | | | | P/S12 | | | | | 46 | 210 | due to ^{possible} block rotation |
| S | | | | 630 | | | | P/S12 | | | | | 64 | 210 | " |
| S | | | | 830 | | | | P/S12 | | | | | 85 | 210 | " |
| S | | | | 1015 | | | | P/S12 | | | | | 49 | 210 | " |
| S | | | | 11170 | | | | P/S12 | | | | | 44 | 210 | " |
| S | | | | 11320 | | | | P/S12 | | | | | 51 | 210 | " |
| S | | | | 11470 | | | | P/S12 | | | | | 59 | 210 | " |
| S | | | | 11710 | | | | P/S12 | | | | | 69 | 210 | " |
| S | | | | 11830 | | | | P/S12 | | | | | 72 | 210 | " |
| S | | | | 11965 | | | | P/S12 | | | | | 49 | 210 | " |
| S | | | | 12110 | | | | P/S12 | | | | | 68 | 210 | " |
| S | | | | 12210 | | | | P/S12 | | | | | 42 | 210 | " |
| S | | | | 12490 | | | | P/S12 | | | | | 41 | 210 | " |
| S | | | | 12660 | | | | P/S12 | | | | | 44 | 210 | " |
| S | | | | 12850 | | | | P/S12 | | | | | 58 | 210 | " |
| S | | | | 13040 | | | | P/S12 | | | | | 32 | 210 | " |
| S | | | | 13135 | | | | P/S12 | | | | | 85 | 210 | " |
| S | | | | 13460 | | | | P/S12 | | | | | 56 | 210 | " |
| S | | | | 13790 | | | | P/S12 | | | | | 49 | 210 | " |
| S | | | | 13970 | | | | P/S12 | | | | | 51 | 210 | " |
| S | | | | 14170 | | | | P/S12 | | | | | 52 | 210 | " |
| S | | | | 14290 | | | | P/S12 | | | | | 46 | 210 | " |
| S | | | | 14560 | | | | P/S12 | | | | | 85 | 210 | " |
| S | | | | 14840 | | | | P/S12 | | | | | 57 | 210 | " |
| S | | | | 151160 | | | | P/S12 | | | | | 51 | 210 | " |
| S | | | | 15390 | | | | P/S12 | | | | | 58 | 210 | " |
| S | | | | 15770 | | | | P/S12 | | | | | 41 | 210 | " |
| S | | | | 16340 | | | | P/S12 | | | | | 46 | 210 | in gtzik |
| S | | | | 16850 | | | | P/S12 | | | | | 64 | 210 | " |
| S | | | | 17110 | | | | P/S12 | | | | | 54 | 210 | |
| S | | | | 17330 | | | | P/S12 | | | | | 60 | 210 | |
| S | | | | 17580 | | | | P/S12 | | | | | 59 | 210 | |
| S | | | | 17860 | | | | P/S12 | | | | | 71 | 210 | |
| S | | | | 180150 | | | | F/A3 | | | | | 37 | 210 | |
| | | | | EDH | | | | | | | | | | | |

CYPRUS ANVIL MINING CORPORATION

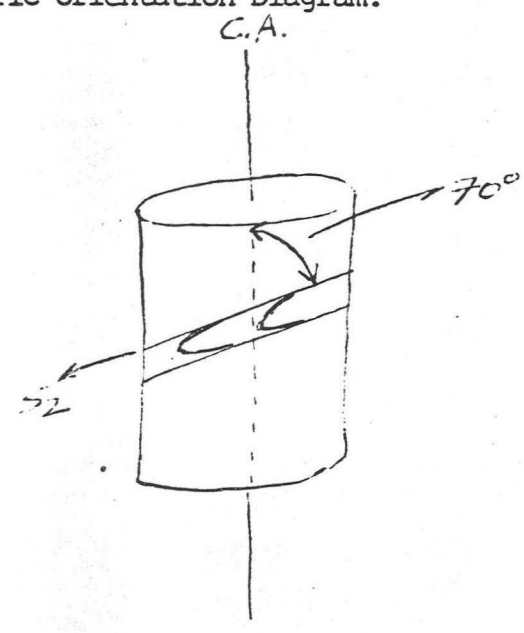
DIAMOND DRILL CORE LOG

Hole Number: 67-9

Fabric Orientation Diagram:

Project: ZONE 3 RE-LOG

Location: ZONE 3



Claim: _____

Terr. Plane Co-ords.: _____ N

_____ E

Grid Co-ords.: 8740.0 N

MINE 15199.0 E

All symmetry determinations looking NW with S2 dipping SW with dip azimuth 210°.

Elevation: 4186.0

Total Depth: 800#0

Purpose: ZONE 3 DEFIN.

Logged by: _____ Date(s) Logged: _____

| Drilling Contractor: | Core: | Size | From | To | Collar Cased and Capped: |
|----------------------|-------|-------|-------|-------|--------------------------|
| _____ | _____ | _____ | _____ | _____ | _____ |
| _____ | _____ | _____ | _____ | _____ | _____ |
| _____ | _____ | _____ | _____ | _____ | _____ |

Started: _____ Completed: _____

Lithologic Log

Logged By: _____

| Code | From | To | Unit | Code | Description |
|------|-------------------------|----------|------|------|---|
| | 10 14 16 20 22 23 25 27 | | | | |
| L | 1 10 10 | 1 13 00 | 011 | # | O/B. |
| L | 1 13 10 | 2 13 10 | 012 | 3D10 | Imperfectly brecciated over interval |
| L | 2 14 10 | 2 55 0 | 013 | 3D10 | Fault gouge and breccia, upper contact 30° lower contact indeterminate due to rubble nature |
| L | 2 55 | 3 57 5 | 014 | 3D10 | Imperfectly brecciated as Unit 1. |
| L | 3 57 | 3 65 5 | 015 | 0E8 | No contact angles possible due to rubble nature of core |
| L | 3 65 5 | 3 67 5 | 016 | 3D10 | |
| L | 3 67 5 | 3 72 3 | 017 | 0E8 | Indeterminate core angle at upper contact due to rubble core. lower contact intrusive approx 70° to core axis with unknown dip direction due to brecciated underlying 3D. |
| L | 3 72 3 | 3 74 2 | 018 | 3D10 | |
| L | 3 74 2 | 3 77 7 | 019 | 0E8 | Upper and lower contacts faulted however contact approx 60° to c.a. with indeterminate dip direction. |
| L | 3 77 7 | 4 25 0 | 010 | 3D10 | Heavily brecciated |
| L | 4 25 0 | 4 37 0 | 011 | 3E10 | |
| L | 4 37 0 | 5 28 0 | 012 | 3A10 | With minor 3A9 interbeds |
| L | 5 28 0 | 5 32 5 | 013 | 1D10 | |
| L | 5 32 5 | 5 40 5 | 014 | 0E8 | Upper contact rubble. Lower contact 70° to core axis. dip direction indeterminate due to underlying 1D breccia |
| L | 5 40 5 | 5 43 4 | 015 | 1D10 | Brecciated |
| L | 5 43 4 | 5 47 5 | 016 | 0E8 | Indeterminate rubble contacts |
| L | 5 47 5 | 5 57 0 | 017 | 1D10 | Breccia |
| L | 5 57 0 | 5 60 0 | 018 | 0E8 | Upper contact approx 80° to core axis with indeterminate dip direction. |
| L | 5 60 0 | 5 60 8 5 | 019 | 1D10 | Breccia |
| L | 5 60 8 5 | 5 60 9 5 | 020 | 0E8 | Upper contact approx 70° to core axis dip direction indeterminate lower contact 50° to core axis indeterminate dip direction |
| L | 5 60 9 5 | 6 11 0 4 | 021 | 1D10 | |
| L | 6 11 0 4 | 6 11 3 0 | 022 | 2H3 | Breccia |

CYPRUS ANVIL MINING CORPORATION

DIAMOND DRILL CORE LOG

Hole Number: 67-10

Fabric Orientation Diagram:

Project: ZONE 3 RE-LOG

Location: ZONE 3

Claim: _____

Terr. Plane Co-ords.: _____ N

_____ E

Grid Co-ords.: 8340.0 N

MINE 15203.0 E

Elevation: 4103.0

All symmetry determinations looking

NW with S2 dipping

SW with dip azimuth 215°.

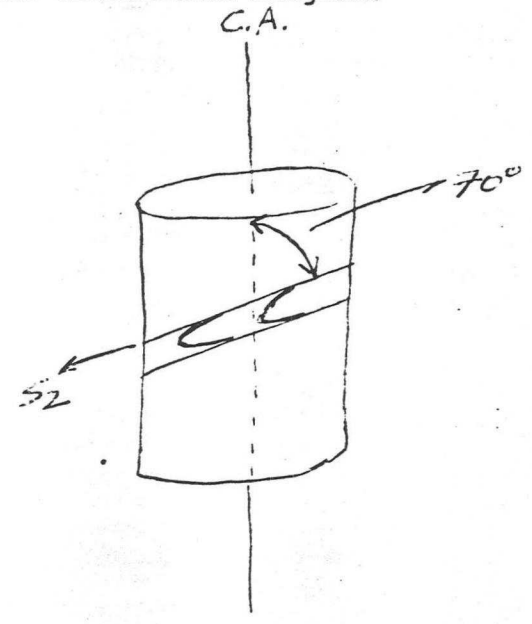
Total Depth: 741.0

Purpose: ZONE 3 REFIN.

Logged by: _____ Date(s) Logged: _____

| Drilling Contractor: | Core: | Size | From | To | Collar Cased and Capped: |
|----------------------|-------|-------|-------|-------|--------------------------|
| _____ | _____ | _____ | _____ | _____ | _____ |
| _____ | _____ | _____ | _____ | _____ | _____ |
| _____ | _____ | _____ | _____ | _____ | _____ |

Started: _____ Completed: _____



| Code | From | To | Unit | Code | Description |
|------|-------------------------|------|------|------|--|
| | 10 14 16 20 22 23 25 27 | | | | |
| L | 100 | 1420 | 01 | # | O/B |
| L | 1420 | 1416 | 02 | 3D10 | Triserially brecciated over interval |
| L | 1416 | 1810 | 03 | 0E8 | To 0E9 No core angles possible. |
| L | 1810 | 2095 | 04 | 3D10 | Triserially brecciated zone 3 breccia cap. |
| L | 2095 | 2105 | 05 | 0E8 | No core angles possible |
| L | 2105 | 2377 | 06 | 3D10 | Zone 3 breccia cap ^{lower} contact 32° to core axis |
| | | | | | Impossible to measure core angle relative to S ₂ as unit 6 brecciated |
| L | 2377 | 2912 | 07 | 0E6 | No lower attitude contact possible ground core |
| L | 2912 | 3170 | 08 | 3D10 | Brecciated. |
| L | 3170 | 3215 | 09 | 0E8 | Upper contact irregular and intrusive approx 90° to core axis. Possible rill. Lower contact approx 60° to core axis Cannot measure lower contact relative to S ₂ as interval brecciated |
| L | 3215 | 3510 | 10 | 3A10 | Brecciated. 0E8 from 337 to 341 no contact angles possible |
| L | 3510 | 3665 | 11 | 0E8 | Upper contact & impossible to determine lower contact faulted at 70° to core axis |
| L | 3665 | 3710 | 12 | 3A10 | Heavily fault gouged and brecciated rubble core. |
| L | 3710 | 3720 | 13 | 0E8 | |
| | 3720 | 3730 | 14 | 3A10 | Heavy brecciated |
| L | 3730 | 4040 | 15 | 0E8 | To 0E9 upper and lower contact angles impossible to determine |
| L | 4040 | 4215 | 16 | 2C5 | |
| L | 4215 | 4270 | 17 | 2C0 | |
| L | 4270 | 4365 | 18 | 2C5 | |
| L | 4365 | 4789 | 19 | 1D4 | To 1CD4 |
| L | 4789 | 4907 | 20 | 2C0 | Brecciated |
| L | 4907 | 4920 | 21 | 2H4 | |
| L | 4920 | 4970 | 22 | 1D4 | Very heavily kaolinized and rubble core with ^{minor} copper carbonate development |
| L | 4970 | 5030 | 23 | 2E0 | |
| L | 5030 | 5140 | 24 | 2CE | Approx 60% pyrite |

Lithologic Log

Logged By: _____

| Core Cm | From | | To | | Unit | Code | Description |
|------------|-------|----|-------|----|------|------|--|
| | 10 | 14 | 16 | 20 | | | |
| L | 15114 | 0 | 15119 | 0 | 215 | 2E13 | |
| L | 15119 | 0 | 15335 | 5 | 216 | 2C0 | |
| L | 15335 | 5 | 15355 | 5 | 217 | 2F0 | |
| L | 15355 | 5 | 15450 | 0 | 218 | 2CE | 60% pyrite |
| L | 15450 | 0 | 15588 | 8 | 219 | 2E10 | |
| L | 15588 | 8 | 15665 | 5 | 30 | 2E14 | |
| L | 15665 | 5 | 15690 | 0 | 311 | 2F0 | |
| L | 15690 | 0 | 15790 | 0 | 312 | 2C10 | Approx 40% pyrite |
| L | 15790 | 0 | 15805 | 5 | 313 | 2F10 | |
| L | 15805 | 5 | 15860 | 0 | 314 | 2CE | 40-50% pyrite. |
| L | 15860 | 0 | 16000 | 0 | 315 | 2E18 | To 2CE8 |
| L | 16000 | 0 | 16020 | 0 | 316 | 2F10 | |
| L | 16020 | 0 | 16045 | 5 | 317 | 2E18 | |
| L | 16045 | 5 | 16105 | 0 | 318 | 2C10 | |
| L | 16105 | 0 | 16160 | 0 | 319 | 2F10 | |
| L | 16160 | 0 | 16250 | 0 | 40 | 2C15 | |
| L | 16250 | 0 | 16315 | 5 | 41 | 2D14 | |
| L | 16315 | 5 | 16320 | 0 | 42 | 1D14 | To 1D42 |
| L | 16320 | 0 | 16330 | 0 | 43 | 2D10 | |
| L | 16330 | 0 | 16336 | | 44 | 1D4 | To 1D42 |
| L | 16336 | | 16390 | | 45 | 2C0 | Brecciated to 2C07 |
| L | 16390 | | 16510 | | 46 | 1D14 | To 1C14 |
| L | 16510 | | 16690 | | 47 | 1C10 | |
| L | 16690 | | 16755 | | 47 | 0E6 | Upper contact 40° to core axis parallel to S2 lower contact 70° parallel to S2 OEB = sill? |
| L | 16755 | | 17410 | | 49 | 1C10 | Endhole |

Structural Log

Logged By: _____

| Code | From | | | | To | | | | Feature | S1 Dip Direct. | S2 Dip Direct. | | | Description | | | |
|------|------|----|----|----|-----|----|----|----|-----------------|-------------------|-------------------|----|----|-------------|---|---|--|
| | 10 | 14 | 18 | 20 | 22 | 24 | 28 | 30 | | | 32 | 34 | 36 | | | | |
| S | | | | 14 | 20 | | | | PS ₂ | | | 7 | 2 | 1 | 0 | | |
| S | | | | 16 | 22 | | | | PS ₂ | | | 7 | 2 | 1 | 0 | | |
| S | | | | 18 | 24 | | | | PS ₂ | | | 6 | 5 | 2 | 1 | 0 | |
| S | | | | 20 | 26 | | | | PS ₂ | | | 6 | 2 | 2 | 1 | 0 | |
| S | | | | 22 | 28 | | | | PS ₂ | | | 4 | 2 | 2 | 1 | 0 | |
| S | | | | 24 | 30 | | | | PS ₂ | | | 5 | 2 | 2 | 1 | 0 | |
| S | | | | 26 | 32 | | | | PS ₂ | | | 7 | 7 | 2 | 1 | 0 | |
| | | | | | | | | | | | | | | | | Remainder of core. adequate unit ^{po} possibly succeeded to get any S ₂ reliables. Note all above S ₂ measurements in 3D aspect. | |
| S | | | | 30 | 36 | | | | PS ₂ | | | 6 | 0 | 2 | 1 | 0 | |
| S | | | | 32 | 38 | | | | PS ₂ | | | 6 | 0 | 2 | 1 | 0 | |
| S | | | | 34 | 40 | | | | PS ₂ | | | 6 | 5 | 2 | 1 | 0 | |
| S | | | | 36 | 42 | | | | PS ₂ | | | 8 | 0 | 2 | 1 | 0 | |
| S | | | | 38 | 44 | | | | PS ₂ | | | 6 | 3 | 2 | 1 | 0 | |
| S | | | | 40 | 46 | | | | PS ₂ | | | 7 | 0 | 2 | 1 | 0 | |
| S | | | | 42 | 48 | | | | PS ₂ | | | 7 | 0 | 2 | 1 | 0 | |
| S | | | | 44 | 50 | | | | PS ₂ | | | 7 | 0 | 2 | 1 | 0 | 651 to 741 Shows demonstrable |
| S | | | | 46 | 52 | | | | PS ₂ | | | 6 | 5 | 2 | 1 | 0 | S ₄ Z symmetry with near S ₄ attitude 45° 210 |
| S | | | | 48 | 54 | | | | PS ₂ | | | 6 | 0 | 2 | 1 | 0 | |
| S | | | | 50 | 56 | | | | PS ₂ | | | 8 | 0 | 2 | 1 | 0 | |
| S | | | | 52 | 58 | | | | PS ₂ | | | 5 | 0 | 2 | 1 | 0 | |
| S | | | | 54 | 60 | | | | PS ₂ | | | 5 | 5 | 2 | 1 | 0 | |
| S | | | | 56 | 62 | | | | PS ₂ | | | 5 | 0 | 2 | 1 | 0 | |
| S | | | | 58 | 64 | | | | PS ₂ | | | 6 | 0 | 2 | 1 | 0 | |
| S | | | | 60 | 66 | | | | PS ₂ | | | 6 | 5 | 2 | 1 | 0 | |
| S | | | | 62 | 68 | | | | PS ₂ | | | 6 | 5 | 2 | 1 | 0 | |
| S | | | | 64 | 70 | | | | PS ₂ | | | 6 | 5 | 2 | 1 | 0 | |
| S | | | | 66 | 72 | | | | PS ₂ | | | 6 | 5 | 2 | 1 | 0 | |
| S | | | | 68 | 74 | | | | PS ₂ | | | 6 | 5 | 2 | 1 | 0 | |
| S | | | | 70 | 76 | | | | PS ₂ | | | 6 | 5 | 2 | 1 | 0 | |
| S | | | | 72 | 78 | | | | PS ₂ | | | 6 | 5 | 2 | 1 | 0 | |
| S | | | | 74 | 80 | | | | PS ₂ | | | 6 | 5 | 2 | 1 | 0 | |
| S | | | | 76 | 82 | | | | PS ₂ | | | 6 | 5 | 2 | 1 | 0 | |
| S | | | | 78 | 84 | | | | PS ₂ | | | 6 | 5 | 2 | 1 | 0 | |
| S | | | | 80 | 86 | | | | PS ₂ | | | 6 | 5 | 2 | 1 | 0 | |
| S | | | | 82 | 88 | | | | PS ₂ | | | 6 | 5 | 2 | 1 | 0 | |
| S | | | | 84 | 90 | | | | PS ₂ | | | 6 | 5 | 2 | 1 | 0 | |
| S | | | | 86 | 92 | | | | PS ₂ | | | 6 | 5 | 2 | 1 | 0 | |
| S | | | | 88 | 94 | | | | PS ₂ | | | 6 | 5 | 2 | 1 | 0 | |
| S | | | | 90 | 96 | | | | PS ₂ | | | 6 | 5 | 2 | 1 | 0 | |
| S | | | | 92 | 98 | | | | PS ₂ | | | 6 | 5 | 2 | 1 | 0 | |
| S | | | | 94 | 100 | | | | PS ₂ | | | 6 | 5 | 2 | 1 | 0 | |

CYPRUS ANVIL MINING CORPORATION

DIAMOND DRILL CORE LOG

Hole Number: 67-11

Fabric Orientation Diagram:
C.A.

Project: ZONE 3 RE-LOG

Location: ZONE 3

Claim: _____

Terr. Plane Co-ords.: _____ N

_____ E

Grid Co-ords.: 8343.0 N

MINE 14808.0 E

Elevation: 4057.0

All symmetry determinations looking
NW with S2 dipping
SW with dip azimuth 210°

Total Depth: 723.0

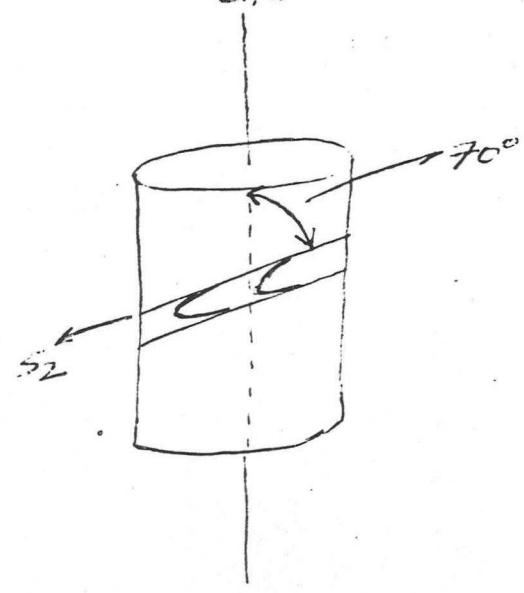
Purpose: ZONE 3 DEFIN.

Logged by: _____ Date(s) Logged: _____

Drilling Contractor: _____ Core: Size From To Collar Cased and Capped: _____

| | | |
|-------|-------|-------|
| _____ | _____ | _____ |
| _____ | _____ | _____ |
| _____ | _____ | _____ |

Started: _____ Completed: _____



Lithologic Log

| Core | From | To | Unit | Code | Description |
|------|------|-------|----------|-------|--|
| 1 | 10 | 14 16 | 20 22 23 | 25 27 | |
| L | 1100 | 1490 | 001 | #1 | O/B |
| L | 1490 | 2000 | 002 | 3D13 | - no breccia |
| L | 2000 | 2917 | 003 | 1D0 | - abundant andalusite |
| L | 2917 | 3110 | 004 | 1D18 | - hematite staining along fract zones |
| | | | | | 3110 - 3115 - gouge zone |
| L | 3110 | 3725 | 005 | 1D10 | |
| L | 3725 | 4870 | 006 | 1C10 | - bleached at end of interval |
| L | 4870 | 4892 | 007 | 2C0 | - banded throughout |
| L | 4892 | 4970 | 008 | 2CA | - bands of base metal bearing throughout |
| L | 4970 | 4984 | 009 | 2B10 | - gouge material as well |
| L | 4984 | 4996 | 10 | 2E14 | 2E14 |
| L | 4996 | 5045 | 11 | 2B10 | - no base metals |
| L | 5045 | 5107 | 12 | 2E10 | - no |
| L | 5107 | 5112 | 13 | 2B10 | - banded gtz, etc - no sulphides |
| L | 5112 | 5122 | 14 | 2B10 | - no sulphides - bleached |
| L | 5122 | 5124 | 15 | 2E17 | 8 - magnetite bearing - base metal poor |
| | | | 11 | | bull gtz in middle of section |
| L | 5124 | 5129 | 116 | 2E17 | 8 - magnetite bearing, base metal bear |
| L | 5129 | 5133 | 17 | 2E14 | - 1% pyrite - scattered |
| L | 5133 | 5142 | 18 | 2B10 | - No sulphides - No base metals - minor pyrite |
| | | | | | gal. in fracture fillings |
| L | 5142 | 5150 | 19 | 2E1F | - bands of buckshot |
| L | 5150 | 5170 | 20 | 2E12 | - base metal deficient |
| L | 5170 | 5190 | 21 | 2C17 | - banded |
| L | 5190 | 5197 | 22 | 2F2 | - 5% base metals |
| L | 5197 | 5198 | 23 | 2H1 | - 5-10% pyrite |
| L | 5198 | 5198 | 24 | 2E1 | - base metal poor - |
| L | 5198 | 1601 | 25 | 2C10 | - base metal poor |
| L | 1601 | 1605 | 26 | 2F10 | |
| L | 1605 | 1611 | 27 | 2E14 | - local zones of 2C g ribbon banded zones |
| L | 1611 | 1631 | 28 | 2C10 | - 10% pyrite |
| L | 1631 | 1662 | 29 | 2A3 | 1-2% pyrite - no malacite |
| L | 1662 | 1676 | 30 | 2B10 | |
| L | 1676 | 1723 | 31 | 1C10 | - EOH |

CYPRUS ANVIL MINING CORPORATION

DIAMOND DRILL CORE LOG

Hole Number: 67-12

Fabric Orientation Diagram:

Project: ZONE 3 RE-LOG

Location: ZONE 3

Claim: _____

Terr. Plane Co-ords.: _____ N

_____ E

Grid Co-ords.: 8538.00 N

MINE

14602.00 E

Elevation: ~~3049.0~~ 4061.0 NW with S2 dipping SW with dip azimuth 210°.

Total Depth: 1006.0

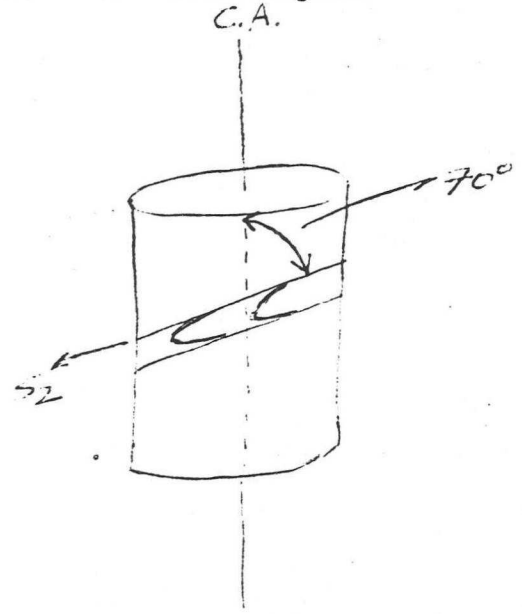
Purpose: ZONE 3 DEFIN.

Logged by: _____ Date(s) Logged: _____

Drilling Contractor: _____ Core: Size From To Collar Cased and Capped: _____

| | | |
|-------|-------|-------|
| _____ | _____ | _____ |
| _____ | _____ | _____ |
| _____ | _____ | _____ |

Started: _____ Completed: _____



Lithologic Log

| Core | From | | To | | Unit | | Code | Description |
|------|------|------|----|----|------|----|------|--|
| | 10 | 14 | 16 | 20 | 22 | 23 | | |
| L | 100 | 142 | 0 | 0 | 01 | | #1 | O/B |
| L | 142 | 188 | 0 | 0 | 02 | | 3DP | |
| L | 188 | 207 | 0 | 0 | 03 | | 1F0 | - metabasite |
| L | 207 | 2118 | 0 | 0 | 04 | | 3D0 | |
| L | 2118 | 2215 | 0 | 0 | 05 | | 1D0 | - bleached, rusty brown "weathered" |
| L | 2215 | 234 | 0 | 0 | 06 | | 3D0 | |
| L | 234 | 265 | 0 | 0 | 07 | | 1D0 | - bands of bleached rusty 1D throughout. |
| L | 277 | 3365 | 0 | 0 | 08 | | 1D0 | - 80% - bleached, rusty, poorly lam. schist, as in unit 05 (150) |
| L | 3365 | 360 | 0 | 0 | 09 | | 1C0 | |
| L | 360 | 360 | 0 | 0 | 10 | | 1D0 | |
| L | 360 | 451 | 0 | 0 | 11 | | 1C0 | - much broken core, zones of rusty bleached, poorly laminated schist as in unit 08 |
| L | 451 | 485 | 0 | 0 | 12 | | 1C0 | |
| L | 485 | 494 | 0 | 0 | 13 | | 1DA | - siliceous + bull quartz bands. |
| L | 494 | 496 | 0 | 0 | 14 | | 2C0 | - 20% py overall |
| L | | | | | | | | Zn, Pb diss at individual bands (10%) |
| L | 496 | 5010 | 0 | 0 | 15 | | 2FA | - man. py. - 10% gtzite |
| L | 5010 | 5050 | 0 | 0 | 16 | | 2F0 | |
| L | 5050 | 5180 | 0 | 0 | 17 | | 1DA | 1 - siliceous, bull gtz @ end of int. |
| L | 5180 | 5265 | 0 | 0 | 18 | | 2C0 | - 10% total sulphides. |
| L | 5265 | 5290 | 0 | 0 | 19 | | 2H1 | - 30% total sulphides, nil base metals |
| L | 5290 | 5330 | 0 | 0 | 20 | | 2C0 | - fragments of gtz - breccia |
| L | | | | | | | | - 10% total sulphides - trace base metals - locally 2D0 |
| L | 5330 | 5370 | 0 | 0 | 21 | | 2BP | |
| L | 5370 | 5505 | 0 | 0 | 22 | | 2A0 | - less 5% total sulphides |
| L | 5505 | 5850 | 0 | 0 | 23 | | 2D0 | - total sulphides less than 10% |
| L | | | | | | | | less than 5% comb Pb Zn |
| L | 5850 | 5870 | 0 | 0 | 24 | | 2HA | |
| L | 5870 | 5910 | 0 | 0 | 25 | | 2E2 | - locally grades to 2F0 |
| L | 5910 | 5940 | 0 | 0 | 26 | | 2ER | |
| L | 5940 | 5975 | 0 | 0 | 27 | | 2C1 | - 70% sulphides. |
| L | 5975 | 5987 | 0 | 0 | 28 | | 2FA | |

DDH 67-12
2 8

Cyprus Anvil Mining Corp.
Lithologic Log

Page 4 of 5
Logged By: J. P. F. + J. W. M.

| Code | From | To | Unit | Code | Description |
|------|-------------------------|---------|------|------|---|
| | 10 14 16 20 22 23 25 27 | | | | |
| L | 159187 | 160130 | 29 | 2E7 | |
| L | 160130 | 160173 | 30 | 2F0 | |
| L | 160173 | 161100 | 31 | 2C10 | - total sulphides < 5% - mostly diss. in ZnS |
| L | 161100 | 161160 | 32 | 2F10 | - ≈ 1-2% diss. ZnS |
| L | 161160 | 161190 | 33 | 2C10 | - 65% total sulphides. - porous, limonitic |
| L | 161190 | 162105 | 34 | 2F10 | |
| L | 162105 | 162123 | 35 | 2C10 | - 30% total sulphides - spotty ZnS. |
| L | 162123 | 162171 | 36 | 2E2 | - sandy. |
| L | 162171 | 162185 | 37 | 2F0 | |
| L | 162185 | 162195 | 38 | 1DA | |
| L | 162195 | 163355 | 39 | 2E7 | |
| L | 163355 | 163455 | 40 | 2E2 | |
| L | 163455 | 163555 | 41 | 2E2 | |
| L | 163555 | 164000 | 42 | 2E8 | "2EH" |
| L | 164000 | 164300 | 43 | 2F10 | |
| L | 164300 | 164400 | 44 | 2E2 | |
| L | 164400 | 165005 | 45 | 2E2 | |
| L | 165005 | 165200 | 46 | 2H0 | - base metal deficient. |
| L | 165200 | 165300 | 47 | 2E2 | |
| L | 165300 | 166800 | 48 | 2B10 | - top 2' pyrite quartz: 60-70% py - bottom of interval - 2A0 |
| L | 166800 | 167300 | 49 | 1D14 | |
| L | 167300 | 181614 | 50 | 1C10 | |
| L | 181614 | 181716 | 51 | 0E10 | - locally mag. - upper contact broken core, lower contact - irregular brecciated. |
| L | 181716 | 1818165 | 52 | 1E10 | |
| L | 1818165 | 192200 | 53 | 0E10 | - highly irregular upper contact |
| | | EPH | | | |
| | | | | | |
| | | | | | |
| | | | | | |
| | | | | | |

CYPRUS ANVIL MINING CORPORATION

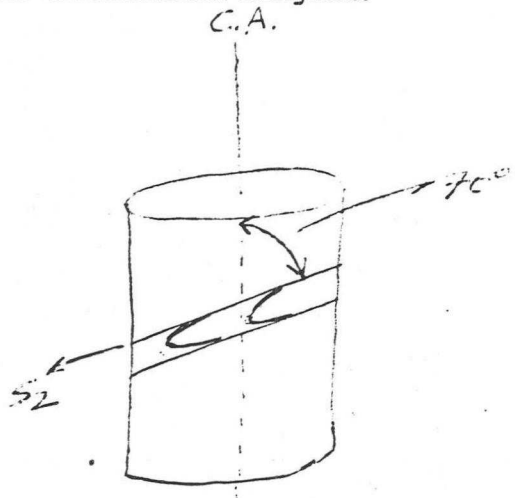
DIAMOND DRILL CORE LOG

Hole Number: 67-30

Fabric Orientation Diagram:

Project: ZONE 3 RE-LOG

Location: ZONE 3



Claim: _____

Terr. Plane Co-ords.: _____ N

_____ E

Grid Co-ords.: 8162.16 N

MINE

14623.62 E

All symmetry determinations looking

NW with S2 dipping

Elevation: 4023.67

SW with dip azimuth 210°.

Total Depth: 661.0

Purpose: ZONE 3 DEFIN.

Logged by: _____ Date(s) Logged: _____

| Drilling Contractor: | Core: | Size | From | To | Collar Cased and Capped: |
|----------------------|-------|-------|-------|-------|--------------------------|
| _____ | _____ | _____ | _____ | _____ | _____ |
| _____ | _____ | _____ | _____ | _____ | _____ |
| _____ | _____ | _____ | _____ | _____ | _____ |

Started: _____ Completed: _____

*

CYPRUS ANVIL MINING CORPORATION

DIAMOND DRILL CORE LOG

Hole Number: 70-12

Fabric Orientation Diagram:

Project: ZONE 3 RE-LOG

Location: ZONE 3

Claim: _____

Terr. Plane Co-ords.: _____ N

_____ E

Grid Co-ords.: 8200.34 N

MINE 14209.72 E

Elevation: 4006.72

All symmetry determinations looking
NW with S2 dipping
SW with dip azimuth 210°.

Total Depth: 701.0

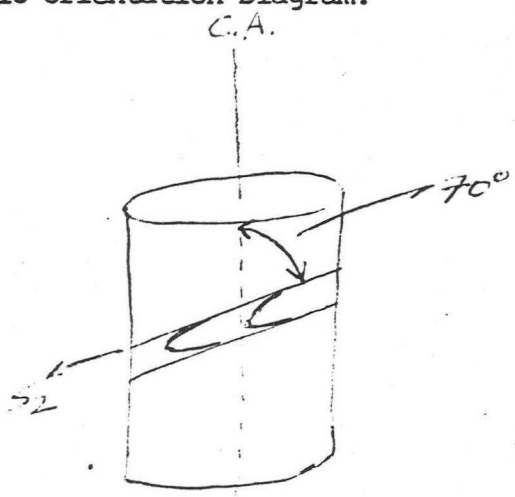
Purpose: ZONE 3 DEFIN.

Logged by: _____ Date(s) Logged: _____

Drilling Contractor: _____ Core: Size From To Collar Cased and Capped: _____

| | | |
|-------|-------|-------|
| _____ | _____ | _____ |
| _____ | _____ | _____ |
| _____ | _____ | _____ |

Started: _____ Completed: _____



*

CYPRUS ANVIL MINING CORPORATION

DIAMOND DRILL CORE LOG

Hole Number: 70-13

Fabric Orientation Diagram:
C.A.

Project: ZONE 3 RE-LOG

Location: ZONE 3

Claim: _____

Terr. Plane Co-ords.: _____ N

_____ E

Grid Co-ords.: 7561.17 N

MINE * 1481395 E

Elevation: 4011.18

All symmetry determinations looking
NW with S₂ dipping
SW with dip azimuth 210°.

Total Depth: 706.0

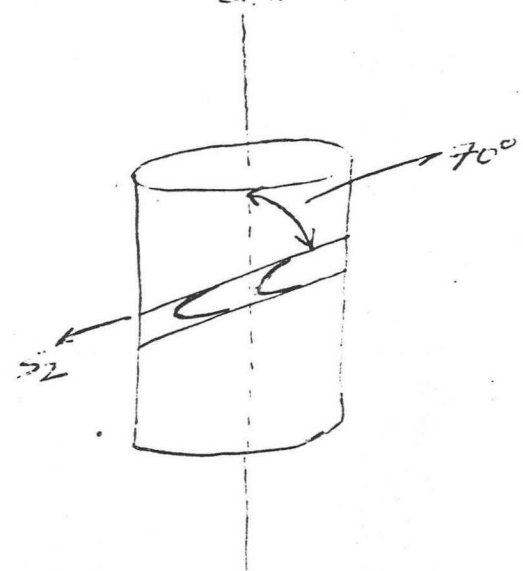
Purpose: ZONE 3 DEFIN.

Logged by: _____ Date(s) Logged: _____

Drilling Contractor: _____ Core: Size From To Collar Cased and Capped: _____

| | | |
|-------|-------|-------|
| _____ | _____ | _____ |
| _____ | _____ | _____ |
| _____ | _____ | _____ |

Started: _____ Completed: _____



CYPRUS ANVIL MINING CORPORATION

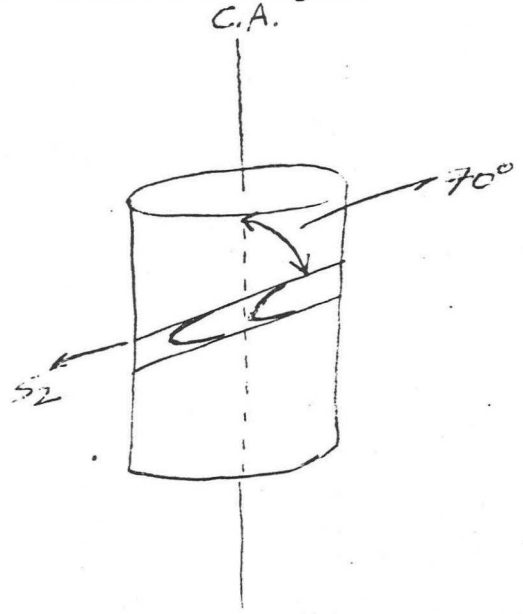
DIAMOND DRILL CORE LOG

Hole Number: 70-17

Fabric Orientation Diagram:

Project: ZONE 3 RE-LOG

Location: ZONE 3



Claim: _____

Terr. Plane Co-ords.: _____ N

_____ E

Grid Co-ords.: 8596.04 N

MINE 14209.31 E

All symmetry determinations looking

NW with S2 dipping

Elevation: 4019.00 SW with dip azimuth 210°.

Total Depth: 703.0

Purpose: ZONE 3 DEFIN.

Logged by: _____ Date(s) Logged: _____

| Drilling Contractor: | Core: | Size | From | To | Collar Cased and Capped: |
|----------------------|-------|-------|-------|-------|--------------------------|
| _____ | _____ | _____ | _____ | _____ | _____ |
| _____ | _____ | _____ | _____ | _____ | _____ |
| _____ | _____ | _____ | _____ | _____ | _____ |

Started: _____ Completed: _____

Lithologic Log

Logged By: L.W.A.

| Code | From | To | Unit | Code | Description |
|------|--------|--------|----------|------|-------------------------------|
| L | 10 14 | 16 20 | 22 23 25 | 27 | |
| L | 1 10 0 | 1 12 0 | 0 01 | #1 | overburden |
| L | 1 12 0 | 1 13 5 | 0 02 | 3A10 | |
| L | 1 13 5 | 1 15 5 | 0 03 | 3C10 | tuffaceous bands |
| L | 1 15 5 | 1 13 0 | 0 04 | 3A10 | local development of 1D + 1CD |
| L | 1 13 0 | 1 16 0 | 0 05 | 3E10 | |
| L | 1 16 0 | 1 18 0 | 0 06 | 3A10 | local development of 3E bands |
| L | 1 18 0 | 1 18 7 | 0 07 | 3C10 | |
| L | 1 18 7 | 1 19 7 | 0 08 | 3A10 | local development 1CD |
| L | 1 19 7 | 1 20 1 | 0 09 | 3A10 | |
| L | 1 20 1 | 1 21 7 | 0 10 | 3A10 | local development of 1CD |
| L | 1 21 7 | 1 22 1 | 0 11 | 2D10 | |
| L | 1 22 1 | 1 22 6 | 0 12 | 3C10 | chloritic, tuffaceous banded |
| L | 1 22 6 | 1 25 8 | 0 13 | 3E10 | |
| L | 1 25 8 | 1 27 0 | 0 14 | 3C10 | |
| L | 1 27 0 | 1 27 8 | 0 15 | 3E10 | |
| L | 1 27 8 | 1 36 5 | 0 16 | 1D10 | local development of 1CD |
| | | | | | |
| | | | | | |
| | | | | | |
| | | | | | |
| | | | | | |
| | | | | | |
| | | | | | |
| | | | | | |
| | | | | | |
| | | | | | |
| | | | | | |
| | | | | | |
| | | | | | |
| | | | | | |
| | | | | | |
| | | | | | |
| | | | | | |
| | | | | | |
| | | | | | |
| | | | | | |
| | | | | | |
| | | | | | |
| | | | | | |

CYPRUS ANVIL MINING CORPORATION

DIAMOND DRILL CORE LOG

Hole Number: 74-2

Fabric Orientation Diagram:

Project: ZONE 3 RE-LOG

Location: ZONE 3

C.A.

Claim: _____

Terr. Plane Co-ords.: _____ N

E

Grid Co-ords.: 7375.80 N

MINE 16792.05 E

Elevation: 4021.5

All symmetry determinations looking NW with S2 dipping SW with dip azimuth 210°.

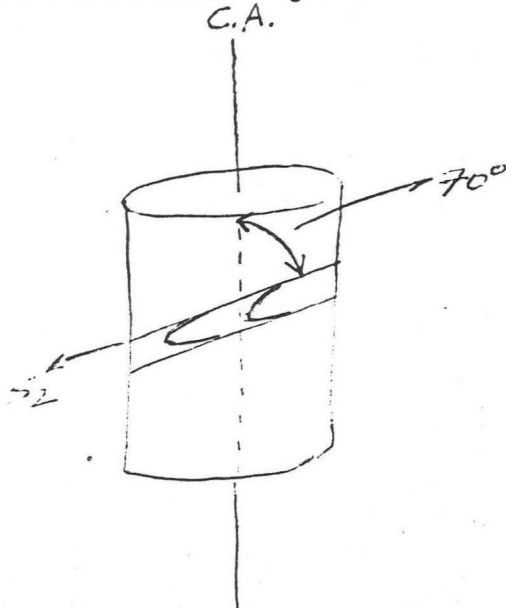
Total Depth: 1004.0

Purpose: ZONE 3 DEF'N.

Logged by: _____ Date(s) Logged: _____

| Drilling Contractor: | Core: | Size | From | To | Collar Cased and Capped: |
|----------------------|-------|-------|-------|-------|--------------------------|
| _____ | _____ | _____ | _____ | _____ | _____ |
| _____ | _____ | _____ | _____ | _____ | _____ |
| _____ | _____ | _____ | _____ | _____ | _____ |

Started: _____ Completed: _____



| Code | From | To | Unit | Code | Description |
|------|--------|--------|-------|-------|---|
| | 10 14 | 16 20 | 22 23 | 25 27 | |
| L | 1100 | 11100 | 11 | H11 | O.B. or rubble in pit |
| L | 1100 | 11750 | 12 | 1C10 | to 1C16 mica > biot. |
| L | 11750 | 12270 | 13 | 0E18 | to 0E89 upper contact & indeterminate apparent lower contact Se 50/210 suggests 0E8 → sill |
| L | 12270 | 12318 | 14 | 1D14 | to 1CD4 |
| L | 12318 | 12980 | 15 | 0E18 | to 0E89 upper contact appears Se 60/210 lower contact grossly Se 50/210, suggests 0E8 sill |
| L | 12980 | 13130 | 16 | 1D14 | to 1CD4 |
| L | 13130 | 13155 | 17 | 0E18 | contact &'s indeterminate |
| L | 13155 | 13178 | 18 | 2C10 | brecciated |
| L | 13178 | 13220 | 19 | 1D14 | to 1CD4 |
| L | 13220 | 13235 | 110 | 2C10 | brecciated |
| L | 13235 | 13250 | 111 | 2D10 | py ≈ 5% Pb+Zn < 5% |
| L | 13250 | 13270 | 112 | 2C10 | |
| L | 13270 | 13570 | 113 | 1D14 | to 1CD4 |
| L | 13570 | 13665 | 114 | 2C17 | |
| L | 13665 | 13690 | 115 | 2A10 | Pb+Zn < 5% |
| L | 13690 | 13770 | 116 | 2E10 | |
| L | 13770 | 13910 | 117 | 1D14 | to 1CD4 |
| L | 13910 | 13928 | 118 | 2E10 | |
| L | 13928 | 14015 | 119 | 2A10 | Pb+Zn ≈ 5% |
| L | 14015 | 14045 | 120 | 2D15 | not carbonaceous enough for ribbon banded |
| L | 14045 | 14750 | 121 | 2A10 | 30-40% py over interval Pb+Zn < 5% |
| L | 14750 | 14830 | 122 | 2FE | interbanded ZF and ZE 6"-12" scale |
| L | 14830 | 148180 | 123 | 2D10 | probably Pb+Zn < 5% over interval Pb+Zn > 5% py ≈ 20% |
| L | 148180 | 15230 | 124 | 1D14 | to 1CD4 hde to fucking short |

CYPRUS ANVIL MINING CORPORATION

DIAMOND DRILL CORE LOG

Hole Number: 74-5

Fabric Orientation Diagram:

Project: ZONE 3 RE-LOG

Location: ZONE 3

Claim: _____

Terr. Plane Co-ords.: _____ N

_____ E

Grid Co-ords.: 9606.26 N

MINE 14193.33 E

Elevation: 3902.6

All symmetry determinations looking

NW with S2 dipping

SW with dip azimuth 210°.

Total Depth: 348.0

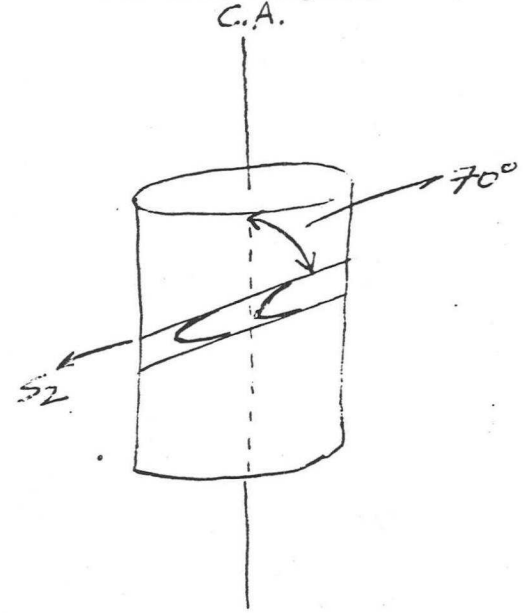
Purpose: ZONE 3 DEFIN.

Logged by: _____ Date(s) Logged: _____

Drilling Contractor: _____ Core: Size From To Collar Cased and Capped: _____

| | | |
|-------|-------|-------|
| _____ | _____ | _____ |
| _____ | _____ | _____ |
| _____ | _____ | _____ |

Started: _____ Completed: _____



Lithologic Log

Logged By: D11/pic

| Code | From | To | Unit | Code | Description |
|------|----------|--------|-------------|-------|--|
| L | 10 14 16 | 20 | 22 23 25 27 | | |
| L | 11100 | 11170 | 11 | 1# | Uncovered - no core |
| L | 11170 | 11264 | 12 | 1CID | minor marcasite; ID? |
| L | 11264 | 11347 | 13 | 1CID | 1CD4; → 2B0 @ lower ct. |
| L | 11347 | 11370 | 14 | 2IG10 | > 5% Pb+Zn; 20% BaSO ₄ |
| L | 11370 | 11440 | 15 | 1CID | 1CD4 |
| L | 11440 | 11478 | 16 | 2IH10 | 2' lost core from 42-46' |
| L | 11478 | 11540 | 17 | 2IE14 | ~5% Pb+Zn; → 2EB locally |
| L | 11540 | 11560 | 18 | 2IG10 | > 10% Pb+Zn |
| L | 11560 | 11810 | 19 | 2IE18 | < 10% interbanded 2G + 2F facies.; ~10% Fe ₃ O ₄ |
| L | 11810 | 11880 | 10 | 2IG10 | ~20% BaSO ₄ ; ~8-9% Pb+Zn |
| L | 11880 | 11890 | 11 | 2IE10 | |
| L | 11890 | 11910 | 12 | 2IH10 | |
| L | 11910 | 11937 | 13 | 2IG10 | as units 8, 10 |
| L | 11937 | 11958 | 14 | 2IJ13 | → 2J37; 20% po; 20% py; 60% marc |
| L | 11958 | 111000 | 15 | 2IF10 | 40% interbanded 2EO |
| L | 111000 | 111057 | 16 | 2IC15 | ~50% total sdes; actually siliceous sdes (not a true quartz) |
| L | 111057 | 111128 | 17 | 2IF10 | |
| L | 111128 | 111328 | 18 | 2IE10 | → 2E1 locally; → 2EB locally |
| L | 111328 | 111345 | 19 | 2IC10 | ~20% sdes |
| L | 111345 | 111538 | 20 | 2IE11 | → 2EO locally |
| L | 111538 | 111712 | 21 | 2IE18 | < 5% interbanded 2FO |
| L | 111712 | 111719 | 22 | 2IC10 | as unit 19 |
| L | 111719 | 111916 | 23 | 2IE14 | ~5% ? Pb+Zn; → 2FO locally |
| L | 111916 | 111917 | 24 | 2IF10 | |
| L | 111917 | 121090 | 25 | 2IE10 | → 2E4 locally; < 5% interbanded 2F |
| L | 121090 | 121323 | 26 | 2IE18 | ~10% Fe ₃ O ₄ |
| L | 121323 | 121360 | 27 | 2IE14 | band of 2F @ beginning of int (1') |
| L | 121360 | 121383 | 28 | 2IE18 | |
| L | 121383 | 121545 | 29 | 2IF10 | 5-10% Pb+Zn |
| L | 121545 | 121680 | 30 | 2IH10 | minor interbanded 2B4 |
| L | 121680 | 121710 | 31 | 2ID10 | → 2D4 locally |
| L | 121710 | 121760 | 32 | 2IF10 | 5-7% Pb+Zn |
| L | 121760 | 121867 | 33 | 2IE10 | |
| L | 121867 | 121950 | 34 | 2ID10 | → 2D4 locally |

CYPRUS ANVIL MINING CORPORATION

DIAMOND DRILL CORE LOG

Hole Number: 74-6

Fabric Orientation Diagram:

Project: ZONE 3 RE-LOG

Location: ZONE 3

Claim: _____

Terr. Plane Co-ords.: _____ N

_____ E

Grid Co-ords.: 9815.23 N

MINE 14343.80 E

Elevation: 3979.8

All symmetry determinations looking NW with S2 dipping SW with dip azimuth 210°.

Total Depth: 428.0

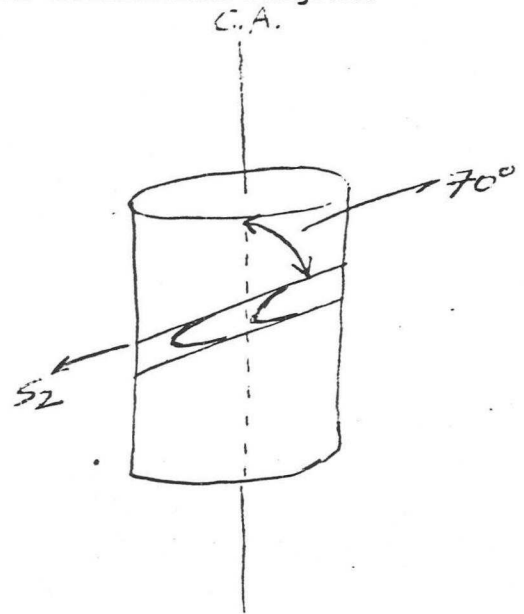
Purpose: ZONE 3 DEFIN.

Logged by: _____ Date(s) Logged: _____

Drilling Contractor: _____ Core: Size From To Collar Cased and Capped: _____

| | | |
|-------|-------|-------|
| _____ | _____ | _____ |
| _____ | _____ | _____ |
| _____ | _____ | _____ |

Started: _____ Completed: _____



| Code | From | To | Unit | Code | Description |
|------|----------|----------------|------|------|---|
| 1 | 10 14 16 | 20 22 23 25 27 | | | |
| L | 110 | 1120 | 01 | #1 | 0/B |
| L | 1120 | 1280 | 02 | 1DA | |
| L | 1280 | 1310 | 03 | 2DB | total sulphides 60% |
| | | | | | base metals < 5%, gtzite locally oxidized, much marcasite |
| L | 131 | 1325 | 04 | 2FA | |
| L | 1325 | 1453 | 05 | 2D0 | total sulphides ≈ 35%, locally 70%, 10% base metals. |
| | | | | | - poor py. |
| L | 1453 | 1540 | 06 | 2ER | - marcasite, gtz rich zones. locally base metals ≈ < 5% |
| L | 1540 | 1630 | 07 | 2ER | - py. poor not as well developed, magnetite locally, gritty appearing gtzite. |
| L | 1630 | 1810 | 08 | 1DA | |
| L | 181 | 1920 | 09 | 2C10 | - base metal poor, py (marcasite) ≈ 20%, banded gtzite. |
| L | 1920 | 1995 | 10 | 1DA | |
| L | 1995 | 11030 | 11 | 2H0 | - gtz flags |
| L | 11030 | 11065 | 12 | 2FA | - fine grained, 5% gtz |
| L | 11065 | 11160 | 13 | 2C10 | 40% py, |
| L | 11160 | 11215 | 14 | 2ER | - spotty bands 2FD, 5% gtz |
| L | 11215 | 11227 | 15 | 2F0 | |
| L | 11227 | 11318 | 16 | 2D0 | - generally 30% total sulphides, base metals 8%, py ≈ 70% locally. |
| L | 11318 | 11330 | 17 | 2ER | some metal poor |
| L | 11330 | 11420 | 18 | 2ER | 10% mag. cor. py. |
| L | 11420 | 11470 | 19 | 2FA | |
| L | 11470 | 11550 | 20 | 2E1 | 10% gtz |
| L | 11550 | 11885 | 21 | 2EC | 10% magnetite, zones of gtzite flags in mass py |
| L | 11885 | 12020 | 22 | 2FA | gtzite flags throughout |
| L | 1202 | 12045 | 23 | 2D2 | total sulphides ≈ 50%, some metals 71%, grades to 2FA |
| L | 12045 | 12058 | 24 | 2E13 | |
| L | 12058 | 12076 | 25 | 2D2 | As + in Unit 23 |

| Code | From | To | Unit | Code | Description | | |
|------|--------|--------|------|------|-------------|----------------------------------|----------------|
| 1 | 10 | 14 | 16 | 20 | 22 23 | 25 | 27 |
| L | 121076 | 121120 | 26 | 2D12 | - | < 10% base metals | |
| | | | | | | same as unit 26 | |
| L | 121120 | 121155 | 27 | 2D10 | - | 2FO banded as in unit 25 | |
| | | | | | | | |
| L | 121155 | 122200 | 28 | 2FA | - | 20% gtzite. | |
| L | 122200 | 123100 | 29 | 2D0 | | py ≈ 60% 2FO bands | |
| | | | | | | total base metals < 5% | |
| L | 123100 | 123400 | 30 | 2F0 | | | |
| L | 123400 | 12645 | 31 | 2D0 | | py < 10% base metals < 5% | |
| | | | | | | 262→271 3.6' sec. | |
| L | 12645 | 12760 | 32 | 2FA | | gtzite frags | |
| L | 12760 | 12770 | 33 | 2D0 | | locally 2FO, irreg patches. | |
| | | | | | | < 10% base metals | |
| L | 12770 | 12890 | 34 | 2FA | | locally 10% gtzite frags. | |
| L | 12890 | 12900 | 35 | 2FA | | 30% gtzite frags. | |
| L | 12900 | 12970 | 36 | 2FA | | no gtzite. | |
| L | 12970 | 12995 | 37 | 2FA | | 30% gtzite frags | |
| L | 12995 | 13005 | 38 | 2FA | | | |
| L | 13005 | 13025 | 39 | 2FA | | 30% gtzite frags | |
| L | 13025 | 13053 | 40 | 2E3 | | - sandy. | 307→317 6' Rec |
| L | 13053 | 13160 | 41 | 2DA | | (2FA) 70% base metals | 320-327 2' " |
| L | 13160 | 13300 | 42 | 2ER | | locally 2FO | |
| L | 13300 | 13380 | 43 | 2D0 | | < 5% base metals, irreg. gtzite. | |
| L | 13380 | 13390 | 44 | 2E1 | | base metal pour | |
| L | 13390 | 13415 | 45 | 2F0 | | massive, patchy base metals. | |
| L | 13435 | 13706 | 46 | 2ER | | base metal def. | |
| L | 13706 | 13740 | 47 | 2C0 | | < 10% py | |
| L | 13740 | 13790 | 48 | 2D0 | | 20% py, 5-8% base metals | |
| L | 13790 | 13815 | 49 | 2F0 | | - 2FA, 2D4 interbands. | |
| L | 138150 | 13930 | 50 | 2D0 | | 50% py, 5-8% base metals | |
| L | 13930 | 13960 | 51 | 2C0 | | < 5% base metals | |
| L | 13960 | 14025 | 52 | 2D0 | | 15% py, 10% base metals | |
| L | 14025 | 14040 | 53 | 2H0 | | | |
| L | 14040 | 14050 | 54 | 2B0 | | 5% ZnS | |
| L | 14050 | 1427 | 55 | 1D4 | | | |
| | | | | | | E04 | |

CYPRUS ANVIL MINING CORPORATION

DIAMOND DRILL CORE LOG

Hole Number: 74-7

Fabric Orientation Diagram:

Project: ZONE 3 RE-LOG

Location: ZONE 3

Claim: _____

Terr. Plane Co-ords.: _____ N

_____ E

Grid Co-ords.: 9398.70 N

MINE 15001.85 E

Elevation: 4139.0'

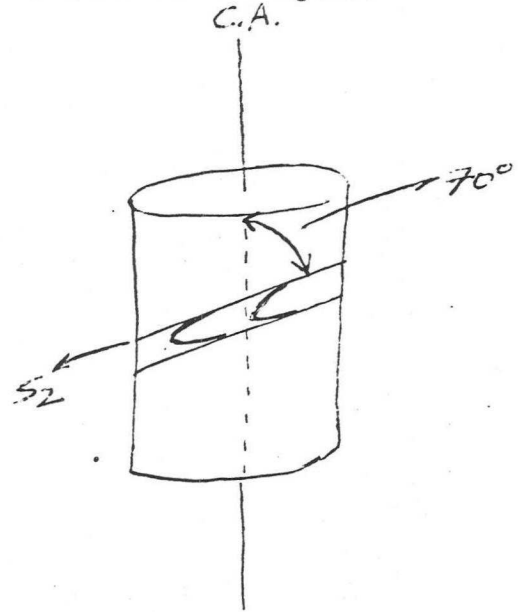
Total Depth: 777.0

Purpose: ZONE 3 DEFIN.

Logged by: _____ Date(s) Logged: _____

| Drilling Contractor: | Core: | Size | From | To | Collar Cased and Capped: |
|----------------------|-------|-------|-------|-------|--------------------------|
| _____ | _____ | _____ | _____ | _____ | _____ |
| _____ | _____ | _____ | _____ | _____ | _____ |
| _____ | _____ | _____ | _____ | _____ | _____ |

Started: _____ Completed: _____



All symmetry determinations looking NW with S2 dipping SW with dip azimuth 210°.

Lithologic Log

| Code | From | | To | | Unit | | Code | Description |
|------|-------|-------|-------|-------|-------|-------|------|--|
| | 10 | 14 | 16 | 20 | 22 23 | 25 27 | | |
| L | 1000 | 1390 | 1390 | 1390 | 1 | #1 | | O.B. |
| L | 1390 | 1760 | 1760 | 1760 | 12 | 3D10 | | |
| L | 1760 | 2930 | 2930 | 2930 | 13 | 0F10 | | upper contact indeterminate, lower contact mudaly foliaform to S ₄ 50/210 |
| L | 2930 | 3320 | 3320 | 3320 | 14 | 1CD | | MUSC > biot. 6" / FS @ 3215 |
| L | 3320 | 3330 | 3330 | 3330 | 15 | 0E16 | | upper and lower contacts foliaform S ₂ 70/20 |
| L | 3330 | 3470 | 3470 | 3470 | 16 | 1D4 | | |
| L | 3470 | 3600 | 3600 | 3600 | 17 | 1CD | | as unit 4 |
| L | 3600 | 4020 | 4020 | 4020 | 18 | 0F10 | | upper contact S ₂ 60/210, lower contact approx S ₂ 75/210; unit appears as a sill |
| L | 4020 | 41120 | 41120 | 41120 | 19 | 2C0 | | w/ 10% 1D4 interbands and interbedded OGO swaths |
| L | 41120 | 41180 | 41180 | 41180 | 110 | 1D4 | | to 1CD4 |
| L | 41180 | 4190 | 4190 | 4190 | 111 | 2D10 | | |
| L | 4190 | 4200 | 4200 | 4200 | 112 | 1D4 | | |
| L | 4200 | 4210 | 4210 | 4210 | 113 | 1D10 | | |
| L | 4210 | 4240 | 4240 | 4240 | 114 | 2C0 | | |
| L | 4240 | 4320 | 4320 | 4320 | 115 | 2A10 | | to 2A4 |
| L | 4320 | 4480 | 4480 | 4480 | 116 | 2C0 | | w/ minor 6" ZD0 interbands 10% of interval |
| L | 4480 | 4505 | 4505 | 4505 | 117 | 2D15 | | |
| L | 4505 | 4650 | 4650 | 4650 | 118 | 2CE | | w/ minor 6" 2A0 interbands |
| L | 4650 | 4700 | 4700 | 4700 | 119 | 2C0 | | to 2C7 heavily brecciated |
| L | 4700 | 4715 | 4715 | 4715 | 20 | 1D4 | | breccia w/ ZD0 angular frags 1/4-1/2" on edge |
| L | 4715 | 4725 | 4725 | 4725 | 21 | 2CE | | |
| L | 4725 | 4735 | 4735 | 4735 | 22 | 2D4 | | |
| L | 4735 | 474 | 474 | 474 | 223 | 2C0 | | |
| L | 4742 | 4750 | 4750 | 4750 | 24 | 2D10 | | |
| L | 4750 | 4765 | 4765 | 4765 | 25 | 2C0 | | |
| L | 4765 | 4775 | 4775 | 4775 | 26 | 2D10 | | |
| L | 4775 | 4835 | 4835 | 4835 | 27 | 2C0 | | |
| L | 4835 | 4850 | 4850 | 4850 | 28 | 2D10 | | |
| L | 4850 | 4955 | 4955 | 4955 | 29 | 2C0 | | |
| L | 4955 | 5110 | 5110 | 5110 | 30 | 2A10 | | base metal deficiency is strong |
| L | 5110 | 5120 | 5120 | 5120 | 31 | 2CE | | |
| L | 5120 | 5215 | 5215 | 5215 | 32 | 2A0 | | as unit 30 |
| L | 5215 | 5255 | 5255 | 5255 | 33 | 2CE | | as unit 31 |
| L | 5255 | 5280 | 5280 | 5280 | 34 | 2C5 | | as 2A0 CF units 30 32 |

| Code | From | | To | | Unit | | Code | Description |
|------|------|----|------|----|------|----|-------|--|
| | 10 | 14 | 16 | 20 | 22 | 23 | | |
| L | 5280 | | 5320 | | 315 | | 21F1C | approx 50/50 2F0-2C0 6" interbands |
| L | 5320 | | 5360 | | 316 | | 21F1C | w/ 10% 2E interbands up to 8" thick |
| L | 5360 | | 5370 | | 317 | | 21C5 | |
| L | 5370 | | 5510 | | 318 | | 21C1E | |
| L | 5510 | | 5520 | | 319 | | 21F0 | |
| L | 5520 | | 5705 | | 410 | | 21C0 | w/ 6" 2E interbands |
| L | 5705 | | 5755 | | 411 | | 21A0 | to 2CF base metal deficient |
| L | 5750 | | 5860 | | 412 | | 21C0 | |
| L | 5860 | | 5885 | | 413 | | 21A0 | to 2C5 |
| L | 5885 | | 5950 | | 414 | | 21C0 | |
| L | 5950 | | 6011 | | 415 | | 21D0 | approx 30% py. over interval |
| L | 6011 | | 6040 | | 416 | | 21C0 | |
| L | 6040 | | 6070 | | 417 | | 21C5 | |
| L | 6070 | | 6095 | | 418 | | 21F0 | |
| L | 6095 | | 6110 | | 419 | | 21D0 | |
| L | 6110 | | 6111 | | 50 | | 21H3 | to 2H34 |
| L | 6111 | | 6118 | | 511 | | 21D0 | |
| L | 6118 | | 6215 | | 512 | | 21F4 | |
| L | 6215 | | 6295 | | 513 | | 21D0 | |
| L | 6295 | | 6416 | | 514 | | 11D4 | note lithologic correlation of 2D above and below this section not good, suggesting separate units |
| L | 6416 | | 6780 | | 515 | | 21D0 | to 2D4 py \approx 5% over interval |
| L | 6780 | | 6840 | | 516 | | 11D4 | w/ several 1/2" 2D4 interbands |
| L | 6840 | | 6920 | | 517 | | 21D4 | to 2D45 py approx 1% over interval |
| L | 6920 | | 6985 | | 518 | | 11D4 | to 1D41 |
| L | 6985 | | 7020 | | 519 | | 21D4 | to 2D45 py \approx 20% |
| L | 7020 | | 7030 | | 610 | | 21C1E | |
| L | 7030 | | 7050 | | 611 | | 21D0 | to 2D4 py \approx 10% |
| L | 7050 | | 7060 | | 612 | | 21H0 | |
| L | 7060 | | 7070 | | 613 | | 21D4 | |
| L | 7070 | | 7080 | | 614 | | 11D4 | |
| L | 7080 | | 7111 | | 615 | | 21D4 | |
| L | 7111 | | 7200 | | 616 | | 21D0 | to 2D5 |
| L | 7200 | | 7211 | | 617 | | 21D0 | py \approx 30% |
| L | 7211 | | 7211 | | 568 | | 21D4 | to 2D47 py \approx 30% |
| L | 7211 | | 7250 | | 619 | | 21D4 | |
| L | 7250 | | 7310 | | 710 | | 11D4 | to 1CD4 |

Structural Log

| Code | From | | To | | Feature | E/S | S ₁ | | S ₂ | | Description |
|------|------|----|-------|----|---------|-----|----------------|---------|----------------|---------|---|
| | 10 | 14 | 16 | 20 | | | Dip | Direct. | Dip | Direct. | |
| S | | | 1460 | | P/SZ | | | 70 | 210 | | |
| S | | | 1700 | | P/SZ | | | 60 | 210 | | |
| S | 1770 | | 12930 | | | | | | | | OFO dike |
| S | | | 12930 | | P/SZ | | | 60 | 030 | | S ₄ 50/210 F ₄ "Z" |
| S | | | 13190 | | P/SZ | | | 65 | 210 | | S ₄ 40/210 F ₄ "Z" |
| S | | | 13390 | | P/SZ | | | 65 | 210 | | S ₄ 40/210 F ₄ "Z" |
| S | | | 13600 | | P/SZ | | | 60 | 210 | | |
| S | | | 14020 | | P/SZ | | | 75 | 210 | | |
| S | | | 14130 | | P/SZ | | | 70 | 210 | | |
| S | | | 14300 | | P/SZ | | | 50 | 210 | | |
| S | | | 14520 | | P/SZ | | | 75 | 210 | | |
| S | | | 14760 | | P/SZ | | | 60 | 210 | | |
| S | | | 14970 | | P/SZ | | | 30 | 030 | | S ₄ 30/210, local F ₄ "Z" of no |
| S | | | 15060 | | P/SZ | | | 70 | 210 | | significant short limb height |
| S | | | 15160 | | P/SZ | | | 60 | 210 | | |
| S | | | 15260 | | P/SZ | | | 70 | 210 | | |
| S | | | 15370 | | P/SZ | | | 60 | 210 | | |
| S | | | 15570 | | P/SZ | | | 60 | 210 | | |
| S | | | 15730 | | P/SZ | | | 70 | 210 | | |
| S | | | 15860 | | P/SZ | | | 70 | 210 | | |
| S | | | 16050 | | P/SZ | | | 80 | 210 | | |
| S | | | 16210 | | P/SZ | | | 65 | 210 | | note comments on possible fold repeats in lith. log |
| S | | | 16410 | | P/SZ | | | 70 | 210 | | S ₄ 50/210 F ₄ "Z" |
| S | | | 16670 | | P/SZ | | | 65 | 210 | | |
| S | | | 16780 | | P/SZ | | | 75 | 210 | | |
| S | | | 16800 | | P/SZ | | | 50 | 030 | | S ₄ 55/210 F ₄ "Z" local mesoscopic |
| S | | | | | | | | | | | F ₄ developed 680-683' only |
| S | | | 16920 | | P/SZ | | | 30 | 210 | | S ₄ 45/210 just below possible |
| S | | | | | | | | | | | "3" region of large scale F ₄ "Z", |
| S | | | | | | | | | | | repeating ZD4 sequences above 692/below 692 |
| S | | | | | | | | | | | ie) check possible 104' from 692-698 as |
| S | | | | | | | | | | | "5" region of "Z" short limb |
| S | | | 16980 | | P/SZ | | | 00 | 210 | | |
| S | | | 17000 | | P/SZ | | | 70 | 210 | | |
| S | | | 17200 | | P/SZ | | | 75 | 210 | | note apparent general absence of F ₄ lith. repeats |
| S | | | 17470 | | P/SZ | | | 50 | 210 | | |

CYPRUS ANVIL MINING CORPORATION

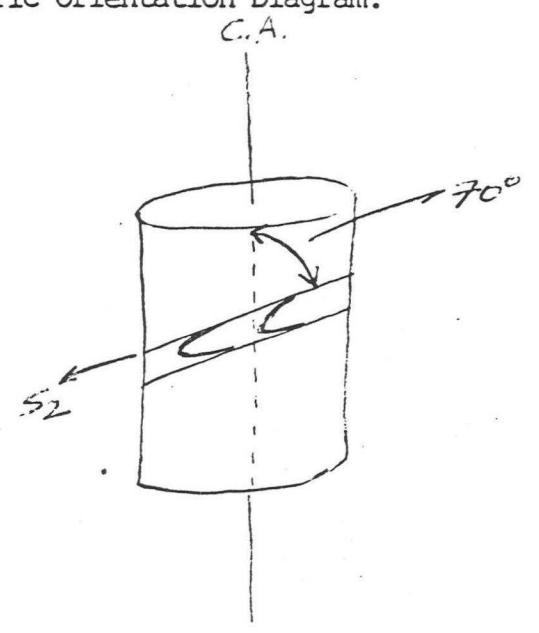
DIAMOND DRILL CORE LOG

Hole Number: 74-8

Fabric Orientation Diagram:

Project: ZONE 3 RE-LOG

Location: ZONE 3



Claim: _____

Terr. Plane Co-ords.: _____ N

_____ E

Grid Co-ords.: 8002.78 N

MINE 14796.30 E

All symmetry determinations looking NW with S2 dipping SW with dip azimuth 210°.

Elevation: 4017.8

Total Depth: 575.0

Purpose: ZONE 3 DEFIN.

Logged by: _____ Date(s) Logged: _____

Drilling Contractor: _____ Core: Size From To Collar Cased and Capped: _____

| | | |
|----------|-------|-------|
| _____ | _____ | _____ |
| <u>1</u> | _____ | _____ |
| _____ | _____ | _____ |

Started: _____ Completed: _____

Lithologic Log

Logged By: JWM

| Code | From | To | Unit | Code | Description |
|------|-------|-------|-------|-------|---|
| 1 | 10 14 | 16 20 | 22 23 | 25 27 | |
| L | 100 | 1390 | 01 | # | o/B 19-39' = NO RECOVERY |
| L | 1390 | 1500 | 02 | 3A1 | |
| L | 1500 | 1520 | 03 | 3K0 | TUFFALOW. LAMINATED GRUITY. |
| L | 1520 | 1305 | 04 | 3A10 | LOCAL ZONES 3D ₂ - 3D ₅ - 3D ₁ |
| L | 1305 | 1790 | 05 | 1D0 | UPPER PART INTERVAL - BANDS 3A. |
| L | 1790 | 1815 | 06 | 1F0 | MED. GREEN, FAIRLY MASSIVE. - FOLIATED |
| L | 1815 | 2190 | 07 | 1D0 | |
| L | 2190 | 2205 | 08 | 1F0 | SANDY - GOUGE (ALTERATION) |
| L | 2205 | 2225 | 09 | 1D0 | |
| L | 2225 | 2250 | 10 | 1F0 | AS UNIT 08. |
| L | 2250 | 2270 | 11 | 1D0 | |
| L | 2270 | 2280 | 12 | 1F0 | AS UNIT 08. |
| L | 2280 | 3360 | 13 | 1C0 | |
| L | 3360 | 3480 | 14 | 1E0 | |
| L | 3480 | 3640 | 15 | 1C0 | RELATED? BLEACHED. ← GOUGE ZONE 361-364 |
| L | 3640 | 3916 | 16 | 1C0 | |
| L | 3916 | 3950 | 17 | 1D14 | |
| L | 3950 | 3960 | 18 | 2E5 | BASE METAL POOR. |
| L | 3960 | 4000 | 19 | 2C0 | 50% Py - MASSIVE QRTZ. LOCALLY GRAPHITIC |
| L | 4000 | 4035 | 20 | 2D0 | 20% Py - TOTAL BASE METALS = 10% Zn |
| L | 4035 | 4100 | 21 | 2E1 | NO BASE METALS. 5-10% QPZ |
| L | 4100 | 4155 | 22 | 2D0 | 60% Py 5% Pb/Zn. |
| L | 4155 | 4185 | 23 | 2E1 | NO BASE METALS |
| L | 4185 | 4330 | 24 | 2C0 | LOCALY TO 2A |
| L | 4330 | 4360 | 25 | 2F0 | 5% QPZ. |
| L | 4360 | 4370 | 26 | 1D4 | |
| L | 4370 | 4425 | 27 | 2E6 | BASE METALS 5-8%. |
| L | 4425 | 4450 | 28 | 2D0 | " " 5% Py = 10-15% |
| | | | | | END OF INTERVAL - 2B (NO BASE METALS) |
| L | 4450 | 4460 | 29 | 2D0 | 30% Py - BASE METALS = 5%. |
| L | 4460 | 4480 | 30 | 2G4 | |
| L | 4480 | 4515 | 31 | 2B0 | NO BASE METALS |
| L | 4515 | 4770 | 32 | 2B0 | LOCALY 2B5 - TRYING TO 2A. |
| L | 4770 | 4835 | 33 | 1D0 | LAST 1.5' INTERVAL BLEACHED |
| L | 4835 | 4840 | 34 | 2B0 | NO BASE METALS |
| L | 4840 | 4905 | 35 | 2D0 | Py = 2 BASE METALS = 8% |

CYPRUS ANVIL MINING CORPORATION

DIAMOND DRILL CORE LOG

Hole Number: 74-9

Fabric Orientation Diagram:

Project: ZONE 3 RE-LOG

Location: ZONE 3

Claim: _____

Terr. Plane Co-ords.: _____ N

_____ E

Grid Co-ords.: 9404.39 N

MINE

13993.25 E

Elevation: 3923.4

All symmetry determinations looking

NW with S₂ dipping

SW with dip azimuth 210°.

Total Depth: 384.0

Purpose: ZONE 3 DEFIN.

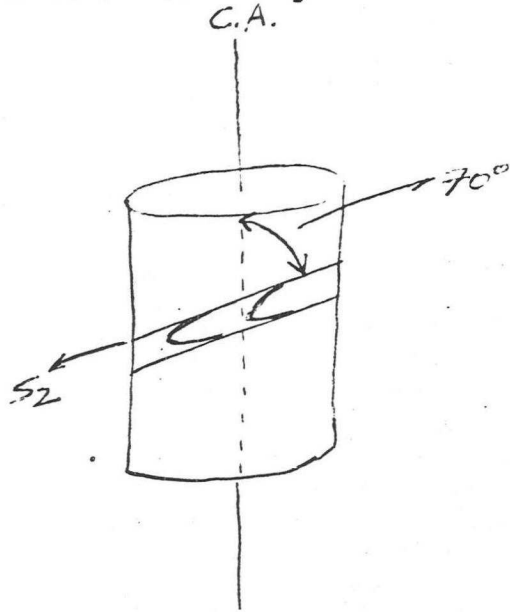
Logged by: _____

Date(s) Logged: _____

Drilling Contractor: _____

| Core: | Size | From | To | Collar Cased and Capped: |
|-------|-------|-------|-------|--------------------------|
| _____ | _____ | _____ | _____ | _____ |
| _____ | _____ | _____ | _____ | _____ |
| _____ | _____ | _____ | _____ | _____ |

Started: _____ Completed: _____



| Code | From | To | Unit | Code | Description |
|------|-------------|-------------|------|------|--|
| | 10 14 16 20 | 22 23 25 27 | | | |
| L | 1110 | 1200 | 01 | #1 | 0/3 |
| L | 1200 | 1350 | 02 | 120 | |
| L | 1350 | 1415 | 03 | 120 | - bleached. |
| L | 1415 | 1470.5 | 04 | 120 | - sporadic bleached zones near end of int. |
| L | 1470.5 | 1474.0 | 05 | 2A10 | - 20% total sulphides. 5-8% Pb Zn S. |
| L | 1474.0 | 1476.0 | 06 | 2ER | - locally to 2FO |
| L | 1476.0 | 1478.0 | 07 | 2D0 | - massive, total sulphides 20% - 5-8% ZnS |
| L | 1481.00 | 1483.5 | 08 | 2EP | - 5% gts frags |
| L | 1483.5 | 1485.0 | 09 | 2FP | |
| L | 1485.0 | 1486.0 | 10 | 2HP | |
| L | 1486.0 | 1493.5 | 11 | 2FO | - marcasite bearing, pitted. |
| L | 1493.5 | 1495.0 | 12 | 2HP | |
| L | 1495.0 | 222 | 13 | 2ER | - 10% gts, locally. |
| L | 222.0 | 223 | 1A | 2ER | - marcasite bearing |
| L | 223 | 224.3 | 15 | 2ER | - as in unit 14, gal ≈ 5% -231-241-5' rec |
| L | 224.3 | 234.3 | 16 | 2GR | - 5-8% Pb ZnS |
| L | 234.3 | 245.0 | 17 | 2EF | - marcasite bearing, fine grained ≈ 5% SiO ₂ , gal ≈ 8-10% |
| L | 245.0 | 254.5 | 18 | 2GR | total sul. 251 → 263 8.5' Rec. ≈ 35%, 8% base metals. Zn > Pb. |
| L | 254.5 | 267.5 | 19 | 2EB | no base metals. |
| L | 267.5 | 273.5 | 20 | 2FA | - supergrade skit. |
| L | 273.5 | 274.5 | 21 | 2EC | - fine marcasite, trace py. |
| L | 274.5 | 281.0 | 22 | 2HP | - gal ≈ 5% |
| L | 281.0 | 283.5 | 23 | 2AP | total sulphides < 5%, ZnS > PbS |
| L | 283.5 | 289 | 24 | 2BP | - banded, no base metals |
| L | 289 | 300 | 25 | 2RC | - banded, local graphitic partings - no sulphides |
| L | 300 | 307.8 | 26 | 2AP | < 5% total sulphides Zn > Py |
| L | 307.8 | 310.8 | 27 | 1DA | |
| L | 310.8 | 318A | 28 | 1CD | |
| | | 1EPH | | | |

CYPRUS ANVIL MINING CORPORATION

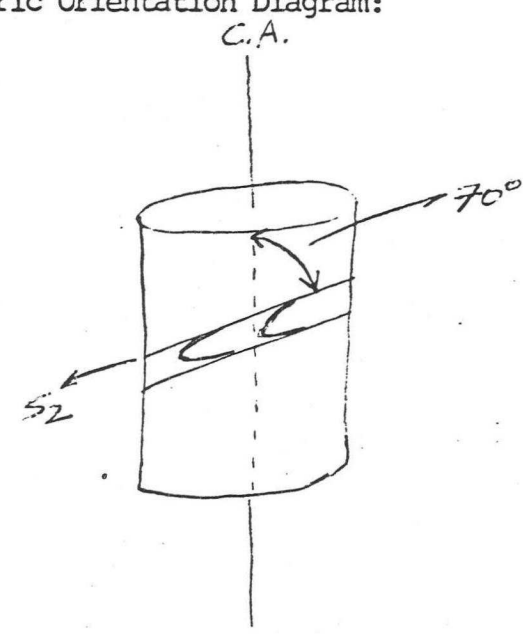
DIAMOND DRILL CORE LOG

Hole Number: 74-10

Fabric Orientation Diagram:

Project: ZONE 3 RE-LOG

Location: ZONE 3



Claim: _____

Terr. Plane Co-ords.: _____ N

_____ E

Grid Co-ords.: 7890.58 N

MINE 15456.50 E

All symmetry determinations looking NW with S2 dipping SW with dip azimuth 210°.

Elevation: 4017.3

Total Depth: 508.0

Purpose: ZONE 3 DEFIN.

Logged by: _____ Date(s) Logged: _____

Drilling Contractor: _____ Core: Size From To Collar Cased and Capped: _____

| | | |
|-------|-------|-------|
| _____ | _____ | _____ |
| _____ | _____ | _____ |
| _____ | _____ | _____ |

Started: _____ Completed: _____

Lithologic Log

Logged By: JH/PIC

| Code | From | To | Unit | Code | Description |
|------|-------------|-------------|------|------|--|
| | 10 14 16 20 | 22 23 25 27 | | | |
| L | 1014 | 1620 | 1 | 1# | o/p and/or fill |
| L | 1335 | 1263 | 2 | 1410 | Biotite > muscovite ± andalusite |
| L | 11263 | 1838 | 3 | 1614 | 2% muscovite minor pink andalusite in bull quartz |
| L | 1838 | 2143 | 4 | 1D10 | Gradational contact over 10' ± andalusite |
| L | 21143 | 2277 | 5 | 1D14 | as above |
| L | 2277 | 2300 | 6 | 2G0 | Brecciated 2" of 2F0 |
| L | 2300 | 2348 | 7 | 2B0 | < 2% total sulphides heavily altered upper contact |
| L | 2348 | 2374 | 8 | 1D12 | |
| L | 2374 | 2610 | 9 | 1D14 | To 1D4 To 2C0 locally |
| L | 2610 | 2628 | 10 | 1F5 | |
| L | 2628 | 2674 | 11 | 2L0 | |
| L | 2674 | 2760 | 12 | 1A14 | 1D41 at beginning of interval |
| L | 2760 | 2815 | 13 | 2E3 | |
| L | 2815 | 2850 | 14 | 2G0 | Approx 30% barite |
| L | 2850 | 2999 | 15 | 2E3 | 2E37 |
| L | 2999 | 3034 | 16 | 2H10 | To 2H1 10% siliceous fragments |
| L | 3034 | 3116 | 17 | 2E3 | To 2E1 40% pyrite 40% muscovite 20% Si. Frag |
| | | | | | 307.4 fault gouge - quartzite |
| L | 3116 | 3218 | 18 | 2E3 | Approx 10% magnetite 90% fine grain pyrite |
| L | 3218 | 3343 | 19 | 2E1 | To 2E0 locally 80% medium grain pyrite |
| | | | | | Minor pyrochlore of end interval |
| L | 3343 | 3392 | 20 | 2F0 | |
| L | 3392 | 3446 | 21 | 2E3 | To 2E31 locally |
| L | 3446 | 3457 | 22 | 2F0 | |
| L | 3457 | 3473 | 23 | 2E1 | Approx 20% silica Minor 2F0 bands |
| L | 3493 | 3529 | 24 | 2F1 | 20% silica |
| L | 3529 | 3600 | 25 | 2E1 | To 2E0 locally |
| L | 3600 | 3630 | 26 | 2E3 | < 2% barite 10% magnetite |
| L | 3630 | 3689 | 27 | 2F0 | Minor interbedded 2E3! |
| L | 3689 | 3880 | 28 | 2C1E | 60% total sulphides 2E1 locally |
| L | 3889 | 3941 | 29 | 2F1 | 15% combined |
| L | 3941 | 3966 | 30 | 2C0 | |
| L | 3966 | 3993 | 31 | 2A0 | To 2A1 locally |
| L | 3993 | 4026 | 32 | 2F0 | To 2E0 locally |
| L | 4026 | 4021 | 33 | 2E3 | 50% pyrite 15% muscovite trace pyrochlore |

CYPRUS ANVIL MINING CORPORATION

DIAMOND DRILL CORE LOG

Hole Number: 74-11

Fabric Orientation Diagram:

Project: ZONE 3 RE-LOG

Location: ZONE 3

Claim: _____

Terr. Plane Co-ords.: _____ N

_____ E

Grid Co-ords.: 7682.76 N

MINE 15538.82 E

Elevation: 4017.9

All symmetry determinations looking
NW with S2 dipping
SW with dip azimuth 210°.

Total Depth: 300.0

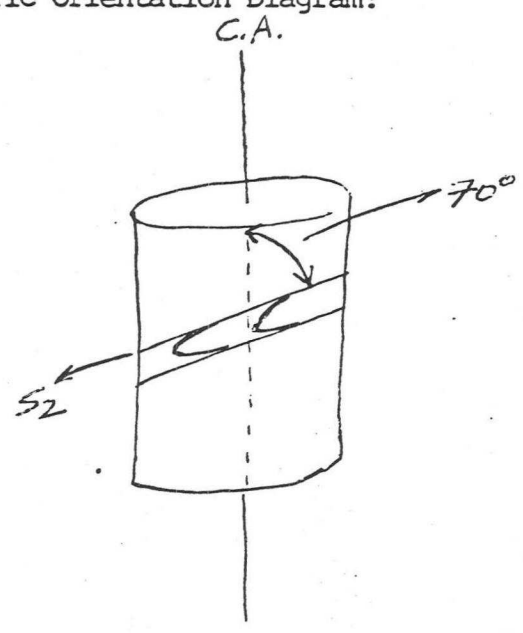
Purpose: ZONE 3 DEFIN.

Logged by: _____ Date(s) Logged: _____

Drilling Contractor: _____ Core: Size From To Collar Cased and Capped: _____

| | | |
|-------|-------|-------|
| _____ | _____ | _____ |
| _____ | _____ | _____ |
| _____ | _____ | _____ |

Started: _____ Completed: _____



| Code | From | To | Unit | Code | Description |
|------|----------|----------------|------|-------|---|
| 1 | 10 14 16 | 20 22 23 25 27 | | | |
| L | 11100 | 119100 | 1 | 1# | fractured - no core |
| L | 11400 | 117116 | 2 | 1140 | 10% andalusite |
| L | 117116 | 111036 | 3 | 11310 | <2% andalusite |
| L | 119116 | 115100 | 4 | 1110 | Plagioclase > biotite ± prismatic andalusite |
| L | 115100 | 115115 | 5 | 11210 | " 5% andalusite |
| L | 115115 | 115115 | 6 | 21310 | Minor sulphides |
| L | 115115 | 11647 | 7 | 21310 | 4-5% total sulphides |
| L | 11647 | 116171 | 8 | 11014 | ? Heavily gouged and altered. |
| L | 116171 | 116187 | 9 | 21F1 | 20-30 blue silica. |
| L | 116187 | 117105 | 10 | 21C10 | <10% total sulphides faulted up/lower contact |
| L | 117105 | 117115 | 11 | 21L10 | heavily altered. |
| L | 117115 | 117176 | 12 | 21C1E | ~60% total sdes; → 2CE7 |
| L | 117176 | 118128 | 13 | 21L10 | heavily altered as unit 11 |
| L | 118128 | 118143 | 14 | 21B10 | <2% total sdes |
| L | 118143 | 118150 | 15 | 21H1 | |
| L | 118150 | 118181 | 16 | 21L10 | as units 11 + 13 |
| L | 118181 | 118193 | 17 | 21B10 | |
| L | 118193 | 11930 | 18 | 21L10 | as above. 11 + 13 |
| L | 11930 | 119162 | 19 | 21B10 | |
| L | 119162 | 119191 | 20 | 11D10 | Carbonaceous |
| L | 119191 | 120008 | 21 | 21B10 | <1% sulphides |
| L | 120008 | 120043 | 22 | 21C17 | 10% total sulphides |
| L | 120043 | 120063 | 23 | 21H1 | 50% siliceous fragments |
| L | 120063 | 124125 | 24 | 21F10 | To 2E2 locally |
| L | 124125 | 124163 | 25 | 21H10 | <5% siliceous fragments |
| L | 124163 | 124180 | 26 | 21F10 | |
| L | 124180 | 12527 | 27 | 21H11 | 10% silica |
| L | 12527 | 12550 | 28 | 21F10 | >10% combined |
| L | 1255 | 128146 | 29 | 21C10 | 10-15% total sulphides |
| L | 128146 | 129141 | 30 | 21A10 | <5% combined 5-10% total sulphides |
| L | 129141 | 13000 | 31 | 21B10 | <3% total sulphides minor base metal content |
| | | | | | EOH |
| | | | | | |
| | | | | | |
| | | | | | |
| | | | | | |
| | | | | | |

CYPRUS ANVIL MINING CORPORATION

DIAMOND DRILL CORE LOG

Hole Number: 74-17

Fabric Orientation Diagram:

Project: ZONE 3 RE-LOG

Location: ZONE 3

Claim: _____

Terr. Plane Co-ords.: _____ N

_____ E

Grid Co-ords.: 8431.20 N

MINE 14404.39 E

Elevation: 4031.0

Total Depth: 585.0

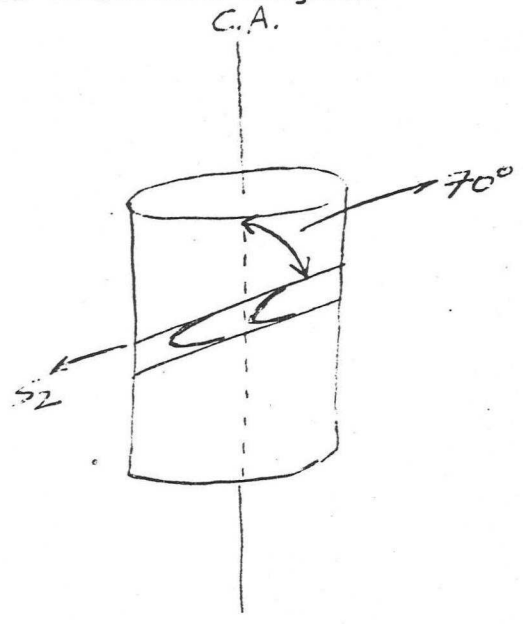
Purpose: ZONE 3 DEFIN.

Logged by: _____ Date(s) Logged: _____

Drilling Contractor: _____ Core: Size From To Collar Cased and Capped: _____

| | | |
|-------|-------|-------|
| _____ | _____ | _____ |
| _____ | _____ | _____ |
| _____ | _____ | _____ |

Started: _____ Completed: _____



All symmetry determinations looking NW with S2 dipping SW with dip azimuth 210°.

CYPRUS ANVIL MINING CORPORATION

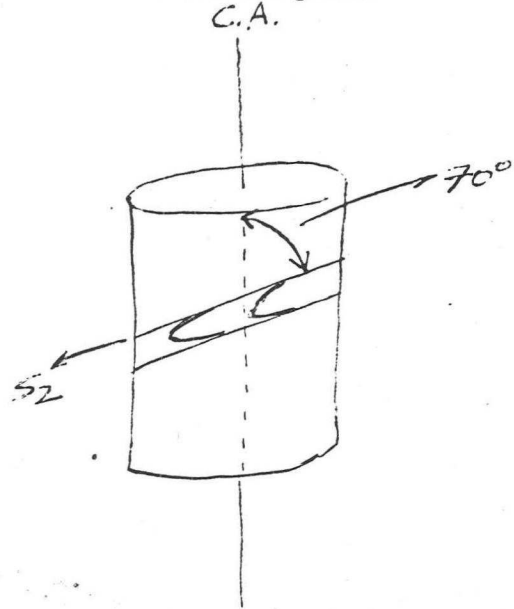
DIAMOND DRILL CORE LOG

Hole Number: 74-18

Fabric Orientation Diagram:

Project: ZONE 3 RE-LOG

Location: ZONE 3



Claim: _____

Terr. Plane Co-ords.: _____ N

_____ E

Grid Co-ords.: 7445.10 N

MINE 15512.85 E

All symmetry determinations looking

NW with S2 dipping

Elevation: 4015.5 SW with dip azimuth 210°.

Total Depth: 250.0

Purpose: ZONE 3 DEFIN.

Logged by: _____ Date(s) Logged: _____

| Drilling Contractor: | Core: | Size | From | To | Collar Cased and Capped: |
|----------------------|-------|-------|-------|-------|--------------------------|
| _____ | _____ | _____ | _____ | _____ | _____ |
| _____ | _____ | _____ | _____ | _____ | _____ |
| _____ | _____ | _____ | _____ | _____ | _____ |

Started: _____ Completed: _____

Lithologic Log

| Code | From | | To | | Unit | | Code | | Description |
|------|------|------|------|----|------|----|------|----|--|
| | 10 | 14 | 16 | 20 | 22 | 23 | 25 | 27 | |
| L | 100 | 120 | 120 | 01 | # | | | | O/B |
| L | 120 | 1995 | 1995 | 02 | 1D10 | | | | |
| L | 1995 | 1200 | 1200 | 03 | 1DA | | | | INCREASING MUCC TOWARD END INTERVAL |
| L | 1200 | 1280 | 1280 | 04 | 2C10 | | | | MASSIVE QRT. 30-40% PY. SPOTTY BRK METALS - INCREASING TOWARD END OF INTERVAL |
| L | 1280 | 1285 | 1285 | 05 | 2F10 | | | | |
| L | 1285 | 1330 | 1330 | 06 | 2EP | | | | 2EZ |
| L | 1330 | 1415 | 1415 | 07 | 2H10 | | | | |
| L | 1415 | 1425 | 1425 | 08 | 2EA | | | | (2EZ) ~ 10-15% PbZn - silicified (marcosite) |
| L | 1425 | 1450 | 1450 | 09 | 2H10 | | | | base metal goos - pyritic + chalc. |
| L | 1450 | 1465 | 1465 | 10 | 2FP | | | | (2EZ) |
| L | 1465 | 1485 | 1485 | 11 | 2H10 | | | | |
| L | 1485 | 1505 | 1505 | 12 | 2CO | | | | - 70% py, Zn, PbS goos |
| L | 1505 | 1580 | 1580 | 13 | 2BP | | | | - massive, < 5% total sulphides scattered Pb, ZnS, locally 5% py, generally < 1% |
| L | 1580 | 1915 | 1915 | 14 | 2A0 | | | | total sulphides < 5% py, ZnS |
| L | 1915 | 2160 | 2160 | 15 | 1DA | | | | - garnetiferous - short zones carb. |
| L | 2160 | 2285 | 2285 | 16 | 1D0 | | | | |
| L | 2285 | 250 | 250 | 17 | 1D0 | | | | bleached. |

CYPRUS ANVIL MINING CORPORATION

DIAMOND DRILL CORE LOG

Hole Number: 74-19

Fabric Orientation Diagram:
C.A.

Project: ZONE 3 RE-LOG

Location: ZONE 3

Claim: _____

Terr. Plane Co-ords.: _____ N

_____ E

Grid Co-ords.: 7431.26 N

MINE 15336.40 E

Elevation: 4016.4

All symmetry determinations looking
NW with S2 dipping
SW with dip azimuth 210°.

Total Depth: 373.0

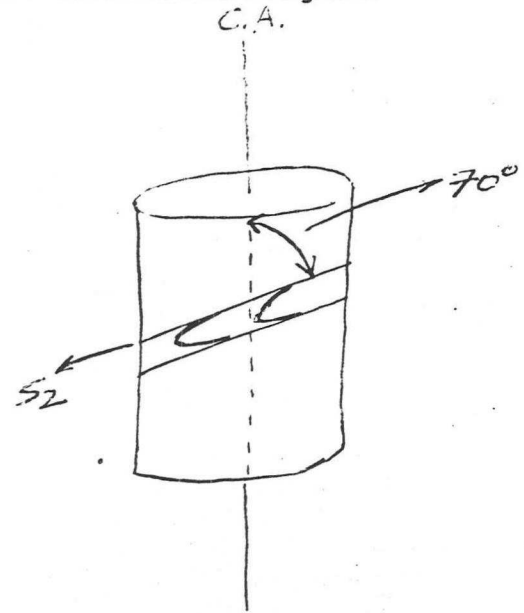
Purpose: ZONE 3 DEFIN.

Logged by: _____ Date(s) Logged: _____

Drilling Contractor: _____ Core: Size From To Collar Cased and Capped: _____

| | | |
|-------|-------|-------|
| _____ | _____ | _____ |
| _____ | _____ | _____ |
| _____ | _____ | _____ |

Started: _____ Completed: _____



CYPRUS ANVIL MINING CORPORATION

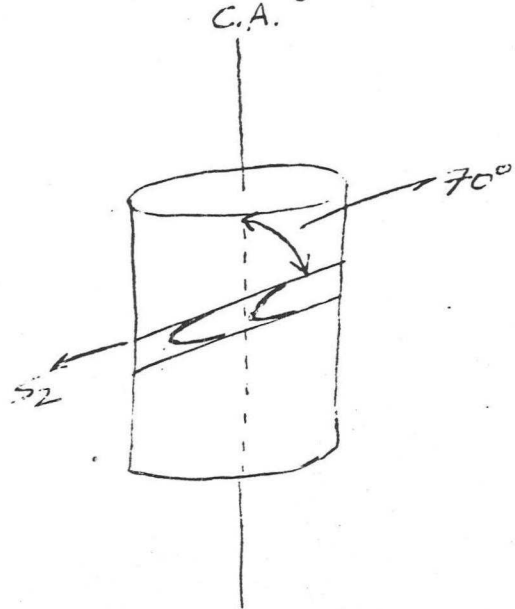
DIAMOND DRILL CORE LOG

Hole Number: 74-20

Fabric Orientation Diagram:

Project: ZONE 3 RE-LOG

Location: ZONE 3



Claim: _____

Terr. Plane Co-ords.: _____ N

_____ E

Grid Co-ords.: 7690.76 N

MINE 15281.18 E

All symmetry determinations looking

NW with S2 dipping

Elevation: 4004.4 SW with dip azimuth 210°.

Total Depth: 427.0

Purpose: ZONE 3 DEFIN.

Logged by: _____ Date(s) Logged: _____

| Drilling Contractor: | Core: | Size | From | To | Collar Cased and Capped: |
|----------------------|-------|-------|-------|-------|--------------------------|
| _____ | _____ | _____ | _____ | _____ | _____ |
| _____ | _____ | _____ | _____ | _____ | _____ |
| _____ | _____ | _____ | _____ | _____ | _____ |

Started: _____ Completed: _____

CYPRUS ANVIL MINING CORPORATION

DIAMOND DRILL CORE LOG

Hole Number: 74-21

Fabric Orientation Diagram:

Project: ZONE 3 RE-LOG

Location: ZONE 3

Claim: _____

Terr. Plane Co-ords.: _____ N

E

Grid Co-ords.: 7191.91 N

MINE

15402.36 E

Elevation: 4014.0

All symmetry determinations looking

NW with S2 dipping

SW with dip azimuth 210°.

Total Depth: 250.0

Purpose: ZONE 3 DEF'N.

Logged by: _____ Date(s) Logged: _____

| Drilling Contractor: | Core: | Size | From | To | Collar Cased and Capped: |
|----------------------|-------|-------|-------|-------|--------------------------|
| _____ | _____ | _____ | _____ | _____ | _____ |
| _____ | _____ | _____ | _____ | _____ | _____ |
| _____ | _____ | _____ | _____ | _____ | _____ |

Started: _____ Completed: _____

